

İÇİNDEKİLER
TABLE OF CONTENTS

W 55+ YALITIMLI PENCERE VE KAPI SİSTEMİ *INSULATED WINDOW AND DOOR SYSTEMS*

ÜRÜN TEKNİK ÖZELLİKLERİ	<i>PRODUCTS TECHNICAL FEATURES</i>		01--43	
EURO KANAL 1. KESİT	<i>EURO GROVEE SECTION 1</i>	<i>içe açılan pencere</i>	<i>inside opening window</i>	44--55
EURO KANAL 1. KESİT	<i>EURO GROVEE SECTION 1</i>	<i>dışa açılan pencere</i>	<i>outward opening window</i>	56--63
PVC KANALLI KESİT 9mm	<i>PVC GROVEE SECTION 9mm</i>	<i>içe açılan pencere</i>	<i>inside opening window</i>	64--71
PVC KANALLI KESİT 9mm	<i>PVC GROVEE SECTION 9mm</i>	<i>içe açılan gizli kanat pencere</i>	<i>inside opening hidden vent window</i>	72--74
PVC KANALLI KESİT 9mm	<i>PVC GROVEE SECTION 9mm</i>	<i>dışa açılan pencere</i>	<i>outward opening window</i>	75--86
KESİM-MONTAJ ÇİZİMLERİ	<i>CUTTING-ASSEMBLY DRAWING</i>		87--96	

W 55 PENCERE VE KAPI SİSTEMİ *WINDOW AND DOOR SYSTEMS*

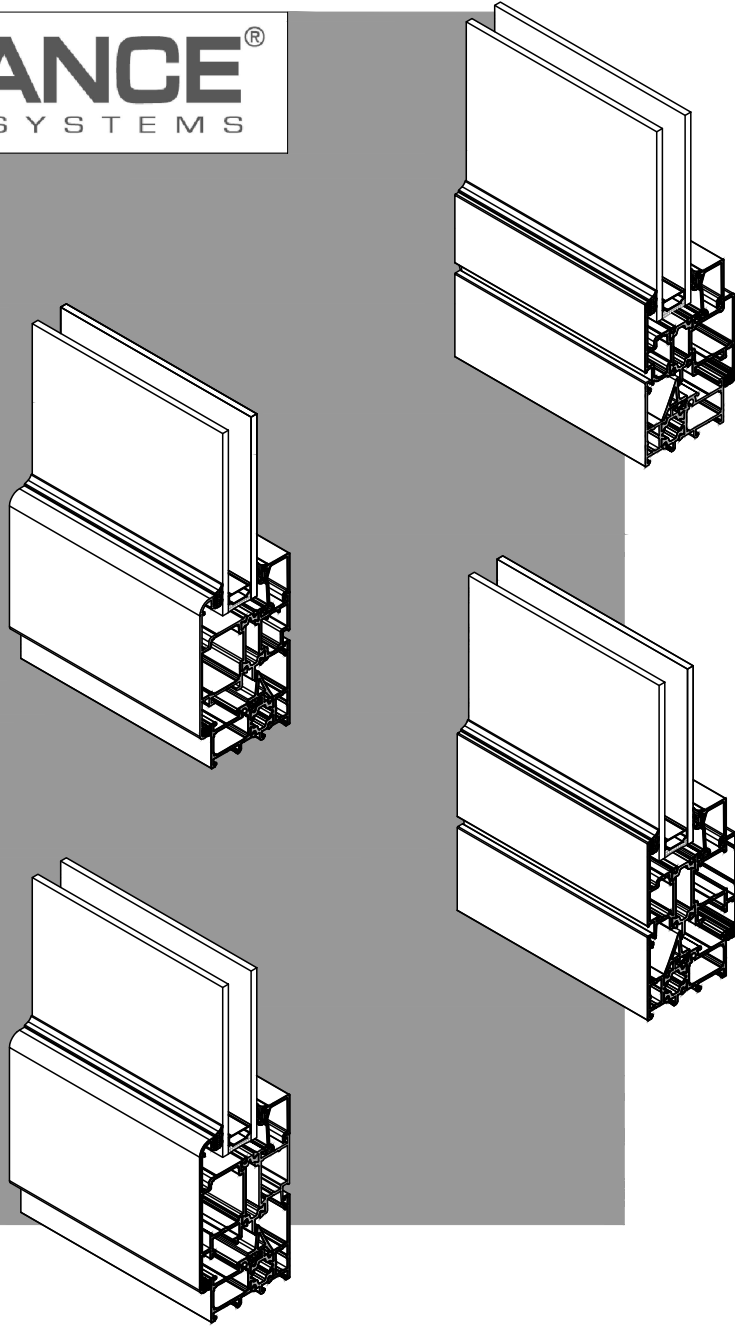
ÜRÜN TEKNİK ÖZELLİKLERİ	<i>PRODUCTS TECHNICAL FEATURES</i>		01--28	
EURO KANAL 1. KESİT	<i>EURO GROVEE SECTION 1</i>	<i>içe açılan pencere</i>	<i>inside opening window</i>	29--37
EURO KANAL 1. KESİT	<i>EURO GROVEE SECTION 1</i>	<i>dışa açılan pencere</i>	<i>outward opening window</i>	38--47
KESİM-MONTAJ ÇİZİMLERİ	<i>CUTTING-ASSEMBLY DRAWING</i>		48--53	

W

5

5

+



YALITIMLI PENCERE VE KAPI SİSTEMİ <i>INSULATED WINDOW AND DOOR SYSTEMS</i>	W 55+	KASA	<i>FRAME</i>	100	W55+ 15.101 SİSTEM GRUP PR NO
		ORTA KAYIT	<i>MULLION</i>	200	
		KANAT	<i>VENT</i>	300	
		ADAPTÖR BAĞL. PR	<i>ADAPTER</i>	400	
		EPDM GRUP	<i>EPDM GROUP</i>	500	
		PVC GRUP	<i>PVC GROUP</i>	600	
		ACILIM GRUP	<i>OPENING GROUP</i>	700	
		YALITIM GRUP	<i>INSULATED GROUP</i>	800	

PROFİL ET KALINLIĞI	<i>PROFILE THICKNESS</i>	1,5-1,8mm
KASA YÜKSEKLİĞİ	<i>FRAME HEIGTH</i>	55mm
KANAT YÜKSEKLİĞİ	<i>VENT HEIGTH</i>	63mm
ISI BARIYERİ	<i>THERMAL ISULATION BAR</i>	16mm
CAM KALINLIĞI	<i>GLASS THICKNESS</i>	4-38mm

ALAŞIM ÖZELLİKLERİ
ALLOY PROPERTIES

EN AW 6060 (AlMgSi0,5 F22)
EN AW 6063 (AlMg0,7Si F22)

ÜRETİM VE MEKANİK STANDARTLAR
PRODUCTION AND MECANICAL STANDARDS

EN 12020-2 EN 755-9 EN 755-2

W 55+

YALITIMLI PENCERE VE KAPI SİSTEMİ
INSULATED WINDOW AND DOOR SYSTEMS

ÜRÜN TEKNİK ÖZELLİKLERİ
PRODUCT'S TECHNICAL FEATURES



Kasa-kanat köşe takoz pr.
Fixed frame-sash assembling Plug

W55.450-1	7mm
W55.450-2	23,2mm
W55.450-3	25,4mm
W55.450-4	24,7mm

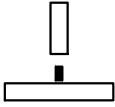
W55.453-1	7mm
W55.453-2	13.1mm

W55.454-1	7mm
W55.454-2	23,2mm
W55.454-3	18.5mm

W55.455-1	7mm
-----------	-----

W55.451-1	7mm
W55.451-2	23,2mm
W55.451-3	25,4mm
W55.451-4	13,1mm

W55.452-1	7mm
W55.452-2	23,2mm
W55.452-3	25,4mm
W55.452-4	18,5mm



Orta kayıt bağlantı
Transom connection

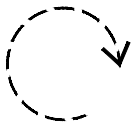
LS55443-2	12,5mm
LS55443-3	22,5mm
LS55443-5	32,6mm
LS55443-6	25mm

LS55444-2	12,5mm
LS55444-3	22,5mm
LS55444-5	32,6mm
LS55444-6	25mm

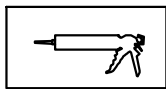


Köşe onbaşı
Corner cleat for sash

LS55617 LS55618



Yatay sayfa
Page horizontal



Silikon
Silicone

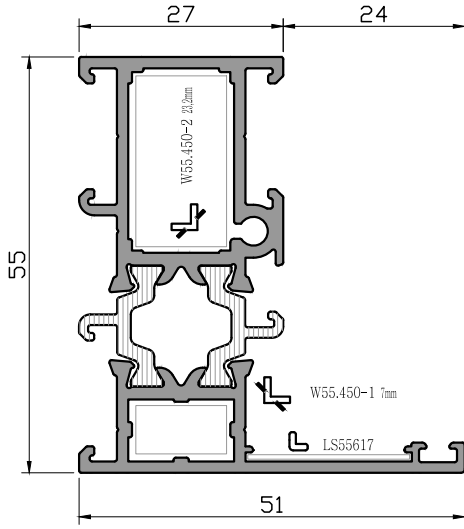


Dikkat
Attention

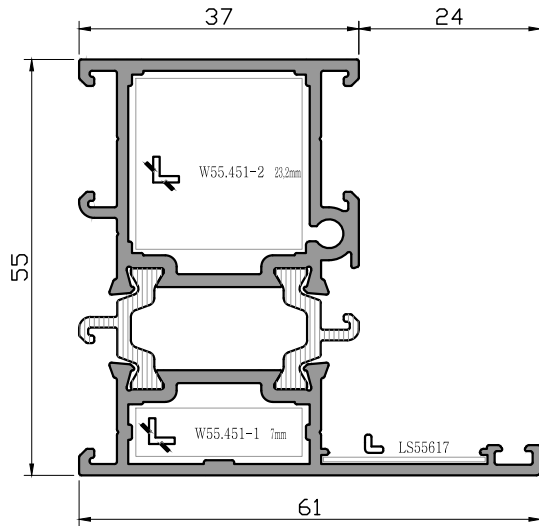
W 55+

YALITIMLI PENCERE VE KAPI SİSTEMİ
INSULATED WINDOW AND DOOR SYSTEMS

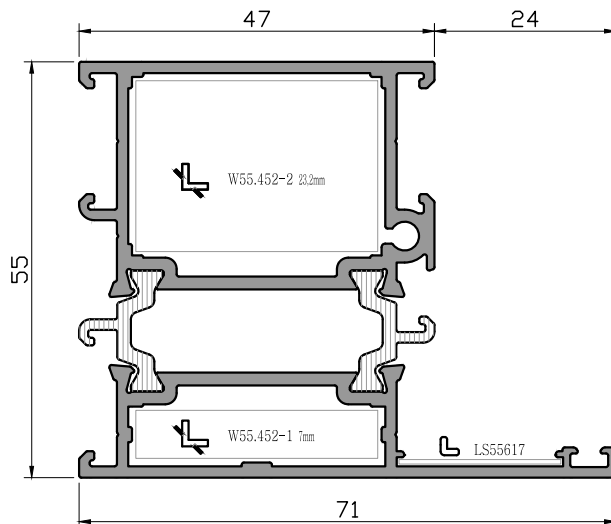
ÜRÜN TEKNİK ÖZELLİKLERİ
PRODUCT'S TECHNICAL FEATURES



Kasa profili		Frame profile						
W55+ 15.101								
Weight : 1,170 kg/m								
Ix	Span of Beam [mm]	1500	2000	2500	3000	3500	4000	Wx
	Effective Moment of Inertia [cm ⁴]	9.22	10.65	11.54	12.12	12.50	12.77	
Iy		: 3,18 cm ⁴			Wy		: 0,94 cm ³	



Kasa profili		Frame profile						
W55+ 15.102								
Weight : 1,353 kg/m								
Ix	Span of Beam [mm]	1500	2000	2500	3000	3500	4000	Wx
	Effective Moment of Inertia [cm ⁴]	10,36	12,07	13,18	13,92	14,41	14,76	
Iy		: 6,21 cm ⁴			Wy		: 1,59 cm ³	



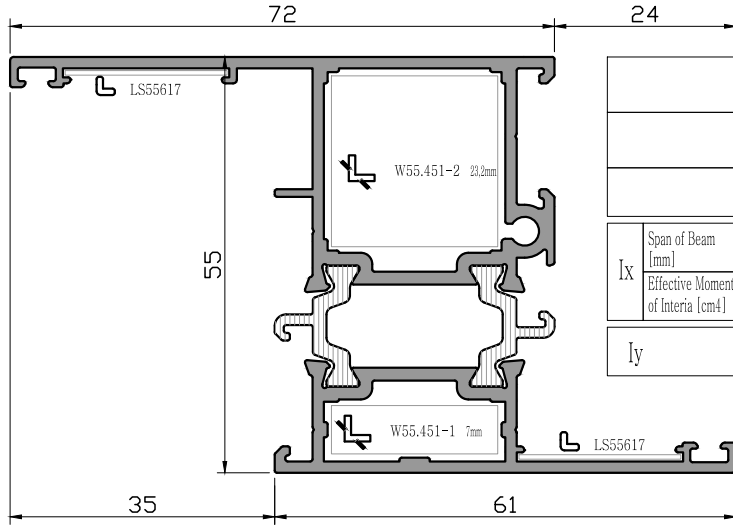
Kasa profili		Frame profile						
W55+ 15.103								
Weight : 1,526 kg/m								
Ix	Span of Beam [mm]	1500	2000	2500	3000	3500	4000	Wx
	Effective Moment of Inertia [cm ⁴]	11,62	13,61	14,95	15,85	16,47	16,91	
Iy		: 10,32 cm ⁴			Wy		: 2,36 cm ³	

Profil değerleri teoriktir. Ağırlık olarak teslimde yapılan tartım geçerlidir. Profil imalatları TS EN 12020-2 ve TS EN 755-9 toleransı, Moment değerleri EN 14024'e göre hesaplanmıştır.
Profile values are theoretical pre-shipment weight will be valid. The tolerances of Profile manufacturing are calculated according to EN 12020-2 and TS EN 755-9; moment values are calculated according to EN 14024.

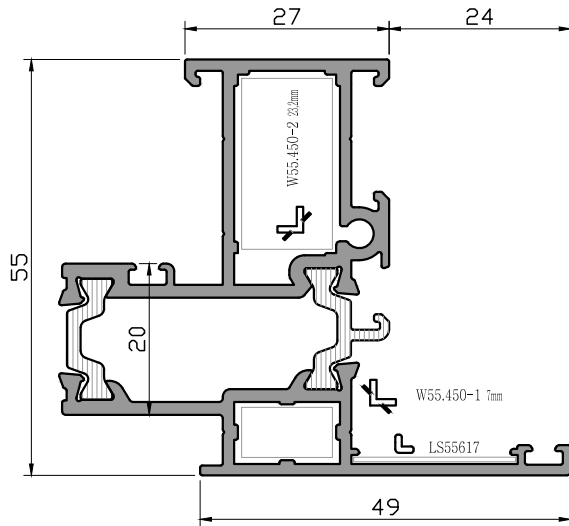
W 55+

YALITIMLI PENCERE VE KAPI SİSTEMİ
INSULATED WINDOW AND DOOR SYSTEMS

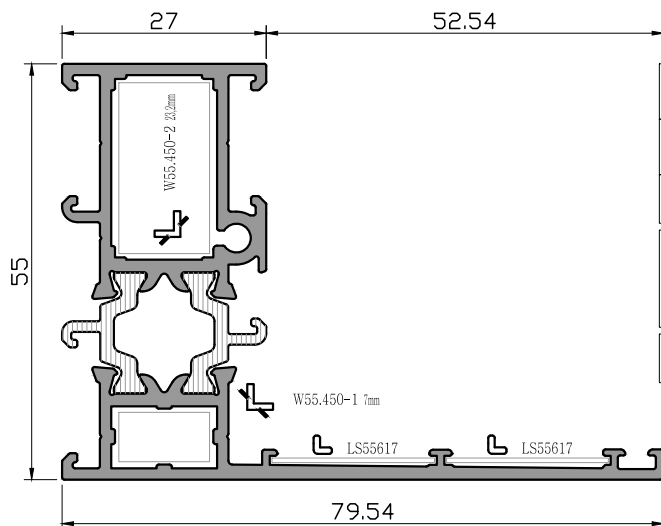
ÜRÜN TEKNİK ÖZELLİKLERİ
PRODUCT'S TECHNICAL FEATURES



Kasa profili		Frame profile						
W55+ 15.106								
Weight :		1,501 kg/m						
Ix	Span of Beam [mm]	1500	2000	2500	3000	3500	4000	Wx
	Effective Moment of Inertia [cm ⁴]	12,05	14,30	15,80	16,80	17,48	17,96	
Iy		: 7,88 cm ⁴			Wy			: 0,15 cm ³



Cephe içi kasa profili		Outer frame curtain wall						
W55+ 15.107								
Weight :		1,363 kg/m						
Ix	Span of Beam [mm]	1500	2000	2500	3000	3500	4000	Wx
	Effective Moment of Inertia [cm ⁴]	8,35	9,81	10,76	11,39	11,82	12,12	
Iy		: 7,23 cm ⁴			Wy			: 1,85 cm ³



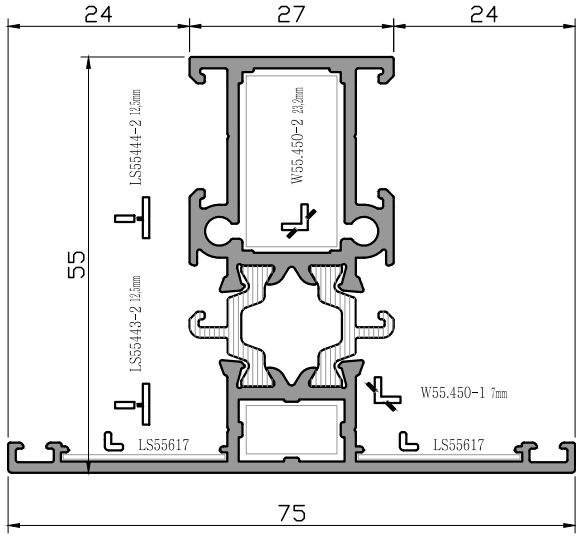
Kasa profili		Frame profile						
W55+ 15.110								
Weight :		1,338 kg/m						
Ix	Span of Beam [mm]	1500	2000	2500	3000	3500	4000	Wx
	Effective Moment of Inertia [cm ⁴]	9.22	10.65	11.54	12.12	12.50	12.77	
Iy		: 6,56 cm ⁴			Wy			: 1,16 cm ³

Profil değerleri teoriktir. Ağırlık olarak teslimde yapılan tartım geçerlidir. Profil imalatları TS EN 12020-2 ve TS EN 755-9 toleransı, Moment değerleri EN 14024'e göre hesaplanmıştır.
Profile values are theoretical pre-shipment weight will be valid. The tolerances of Profile manufacturing are calculated according to EN 12020-2 and TS EN 755-9; moment values are calculated according to EN 14024.

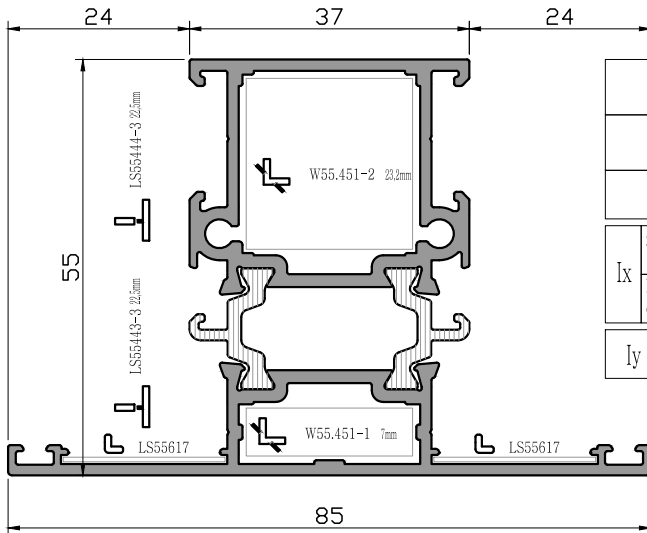
W 55+

YALITIMLI PENCERE VE KAPI SİSTEMİ
INSULATED WINDOW AND DOOR SYSTEMS

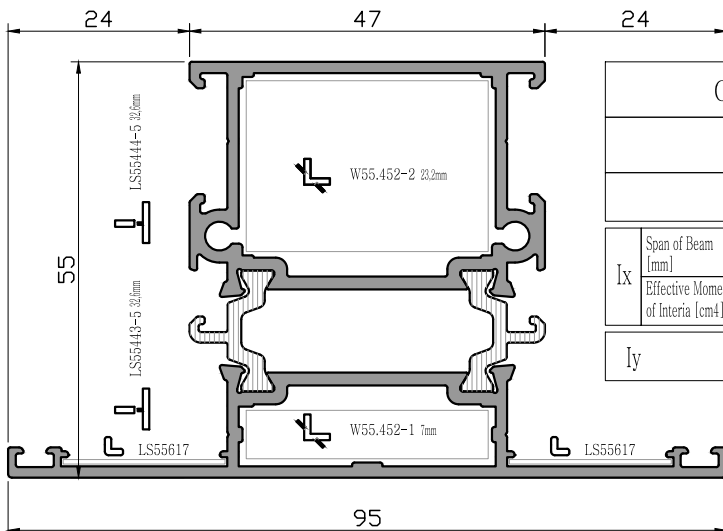
ÜRÜN TEKNİK ÖZELLİKLERİ
PRODUCT'S TECHNICAL FEATURES



Orta kayıt profili		Mullion profile						
W55+ 15.201								
Weight :		1,320 kg/m						
Ix	Span of Beam [mm]	1500	2000	2500	3000	3500	4000	Wx
	Effective Moment of Inertia [cm ⁴]	10,07	11,81	12,94	13,68	14,18	14,53	
Iy		: 6,58 cm ⁴			Wy			: 1,75 cm ³



Orta kayıt profili		Mullion profile						
W55+ 15.202								
Weight :		1,502 kg/m						
Ix	Span of Beam [mm]	1500	2000	2500	3000	3500	4000	Wx
	Effective Moment of Inertia [cm ⁴]	11,29	13,32	14,68	15,59	16,22	16,66	
Iy		: 11,04 cm ⁴			Wy			: 2,60 cm ³



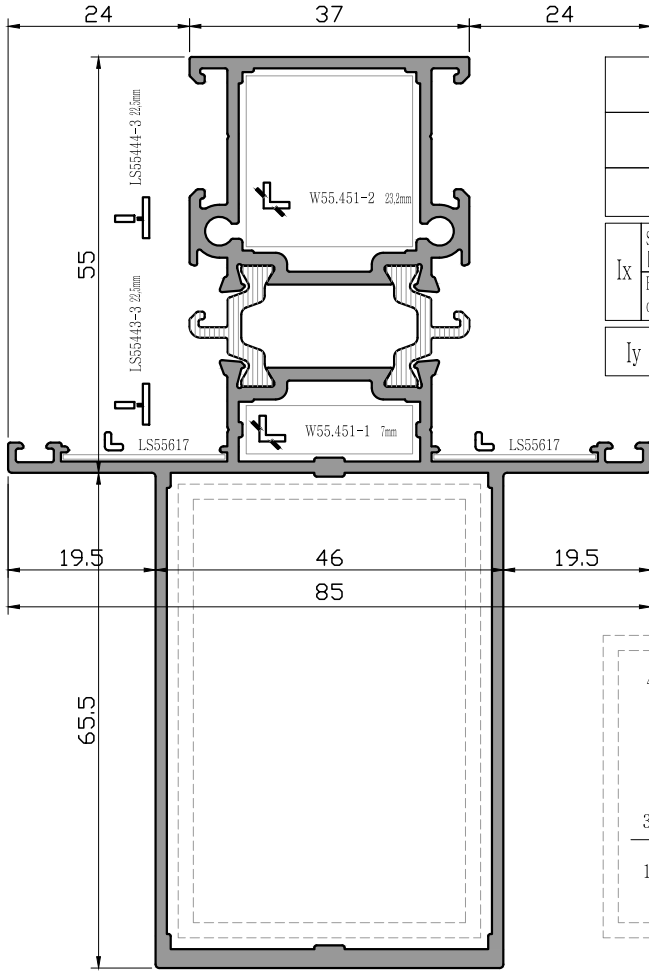
Orta kayıt profili		Mullion profile						
W55+ 15.203								
Weight :		1,675 kg/m						
Ix	Span of Beam [mm]	1500	2000	2500	3000	3500	4000	Wx
	Effective Moment of Inertia [cm ⁴]	12,40	14,68	16,26	17,24	18,09	18,63	
Iy		: 17,38 cm ⁴			Wy			: 3,66 cm ³

Profil değerleri teoriktir. Ağırlık olarak teslimde yapılan tartım geçerlidir. Profil imalatları TS EN 12020-2 ve TS EN 755-9 toleransı, Moment değerleri EN 14024'e göre hesaplanmıştır.
Profile values are theoretical pre-shipment weight will be valid. The tolerances of Profile manufacturing are calculated according to EN 12020-2 and TS EN 755-9; moment values are calculated according to EN 14024.

W 55+

YALITIMLI PENCERE VE KAPI SİSTEMİ
INSULATED WINDOW AND DOOR SYSTEMS

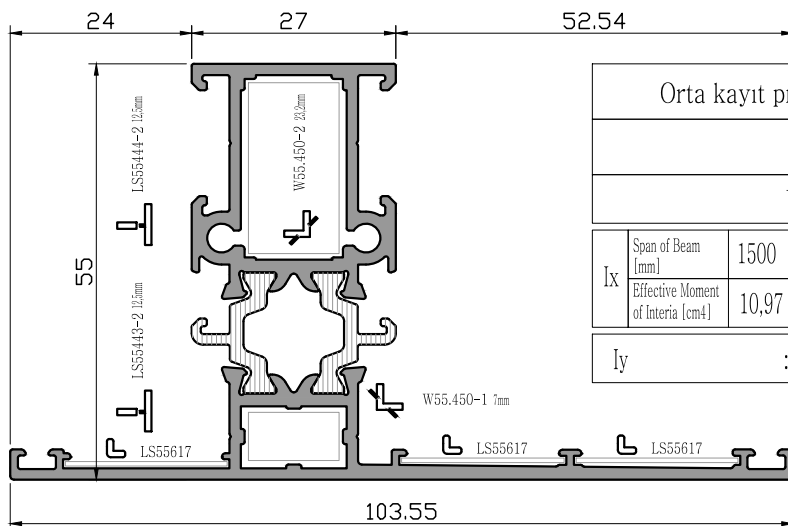
ÜRÜN TEKNİK ÖZELLİKLERİ
PRODUCT'S TECHNICAL FEATURES



Orta kayıt profili		Mullion profile						
		W55+ 15.204						
		Weight : 2,344 kg/m						
Ix	Span of Beam [mm]	1500	2000	2500	3000	3500	4000	Wx
	Effective Moment of Inertia [cm ⁴]	74,66	88,20	95,15	100,11	103,67	106,25	
Iy		: 19,72 cm ⁴			Wy			: 4,64 cm ³

40x40x2 demir kutu / steel box
22,02cm ⁴ + 100 cm ⁴
3000mm
122,13 cm ⁴ x 0,9 : 109,92 cm ⁴

40x60x2 demir kutu / steel box
57,93cm ⁴ + 100 cm ⁴
3000mm
158,04 cm ⁴ x 0,9 : 142,24 cm ⁴



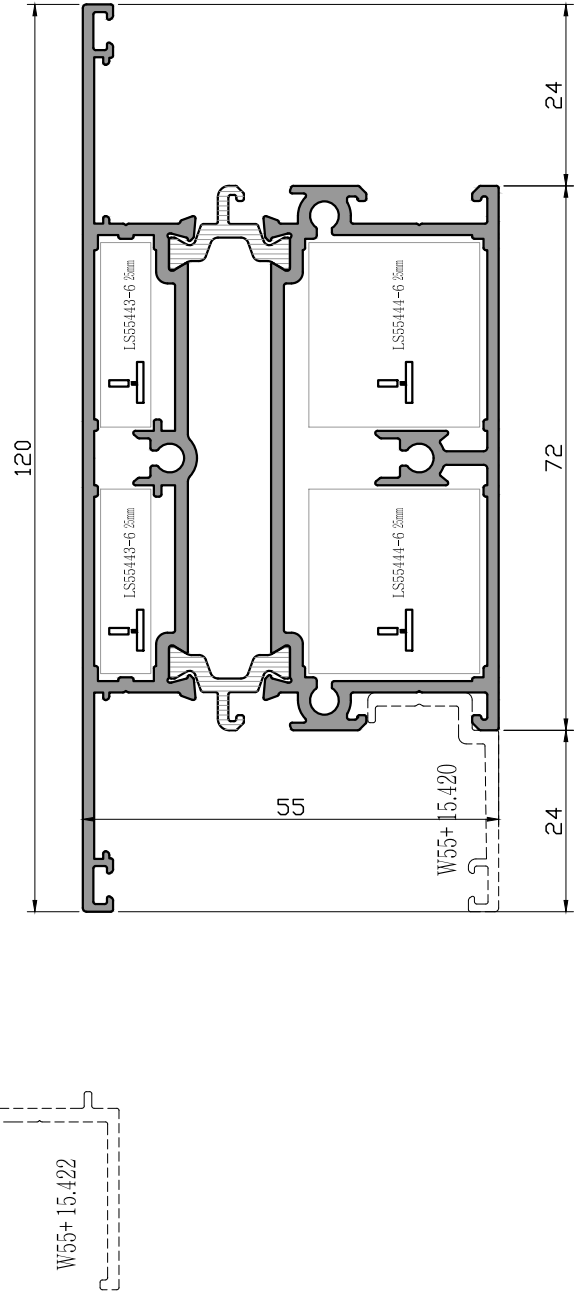
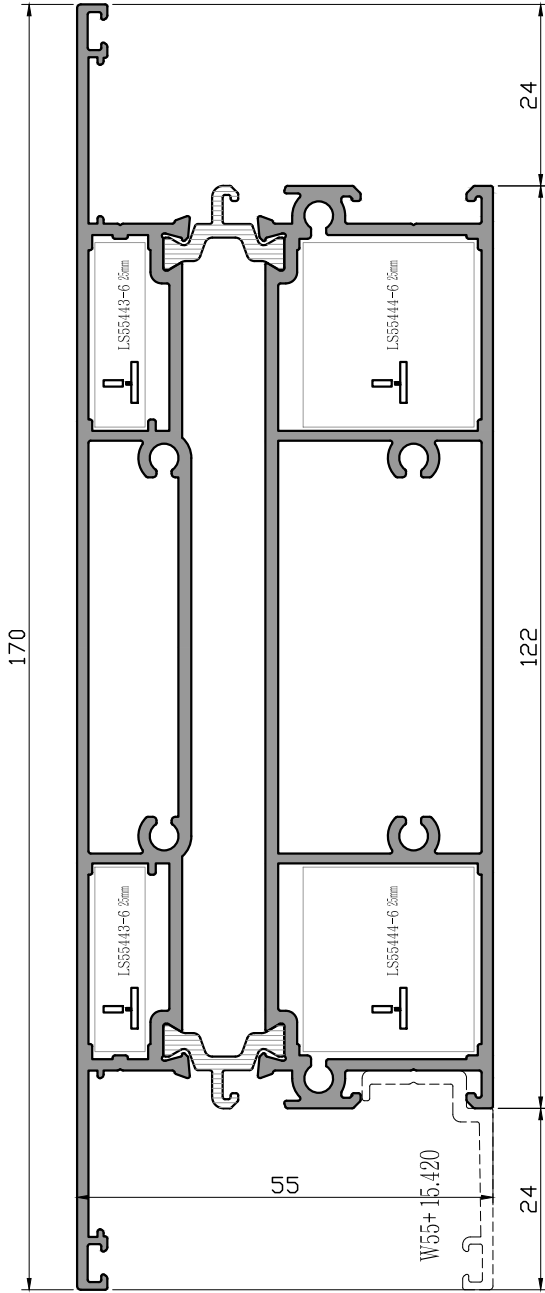
Orta kayıt profili		Mullion profile (hidden vent)						
		W55+ 15.210						
		Weight : 1,488 kg/m						
Ix	Span of Beam [mm]	1500	2000	2500	3000	3500	4000	Wx
	Effective Moment of Inertia [cm ⁴]	10,97	13,10	14,53	15,48	16,14	16,60	
Iy		: 19,59 cm ⁴			Wy			: 3,26 cm ³

Profil değerleri teoriktir. Ağırlık olarak teslimde yapılan tartım geçerlidir. Profil imalatları TS EN 12020-2 ve TS EN 755-9 toleransı, Moment değerleri EN 14024'e göre hesaplanmıştır.
Profile values are theoretical pre-shipment weight will be valid. The tolerances of Profile manufacturing are calculated according to EN 12020-2 and TS EN 755-9; moment values are calculated according to EN 14024.

W 55+

YALITIMLI PENCERE VE KAPI SİSTEMİ
INSULATED WINDOW AND DOOR SYSTEMS

ÜRÜN TEKNİK ÖZELLİKLERİ
PRODUCT'S TECHNICAL FEATURES



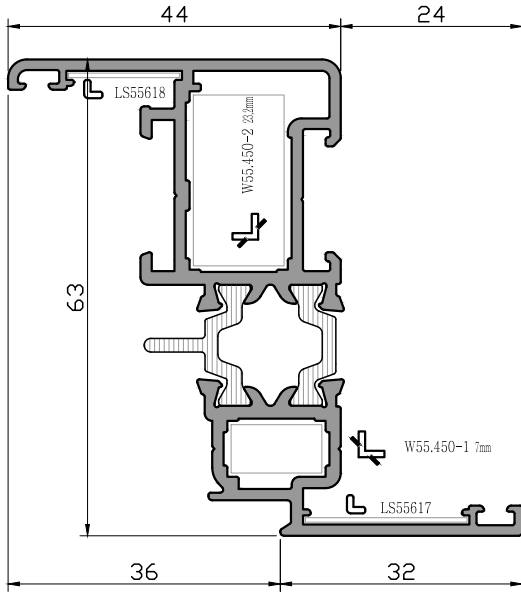
Orta kayıt + Etek profili		<i>Mullion + Bottom rull pr.</i>						
W55+ 15.215								
Weight :		3,403 kg/m						
Ix	Span of Beam [mm]	1500	2000	2500	3000	3500	4000	Wx
	Effective Moment of Inertia [cm4]	21,20	25,57	29,22	32,09	34,32	36,03	
Iy	: 157,91 cm ⁴		Wy		: 18,58 cm ³			

Orta kayıt + Etek profili		<i>Mullion + Bottom rull pr.</i>						
W55+ 15.216								
Weight :		2,298 kg/m						
Ix	Span of Beam [mm]	1500	2000	2500	3000	3500	4000	Wx
	Effective Moment of Inertia [cm4]	16,00	19,25	21,70	23,47	24,77	25,71	
Iy	: 43,15 cm ⁴		Wy		: 7,19 cm ³			

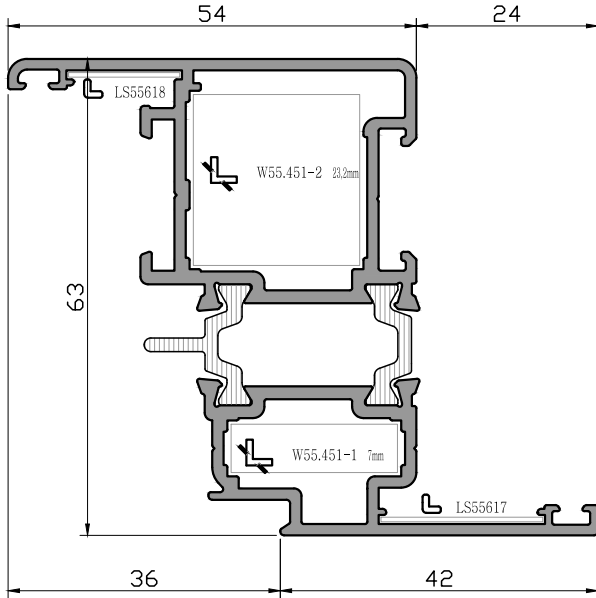
W 55+

YALITIMLI PENCERE VE KAPI SİSTEMİ
INSULATED WINDOW AND DOOR SYSTEMS

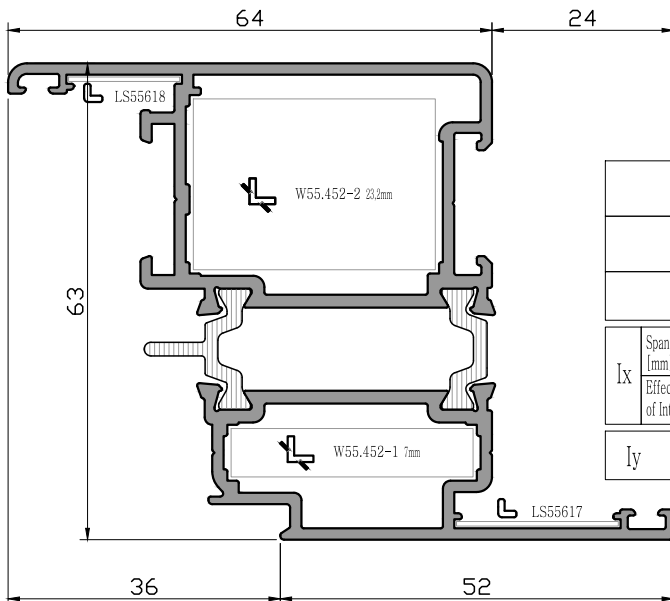
ÜRÜN TEKNİK ÖZELLİKLERİ
PRODUCT'S TECHNICAL FEATURES



Kanat profili		<i>Vent profile (inside opening)</i>						
W55+ 15.301								
Weight :		1,298 kg/m						
Ix	Span of Beam [mm]	1500	2000	2500	3000	3500	4000	Wx
	Effective Moment of Inertia [cm ⁴]	14,08	16,22	17,60	18,49	19,10	19,52	
Iy		: 2,99 cm ⁴				Wy		: 0,86 cm ³



Kanat profili		<i>Vent profile (inside opening)</i>						
W55+ 15.302								
Weight :		1,496 kg/m						
Ix	Span of Beam [mm]	1500	2000	2500	3000	3500	4000	Wx
	Effective Moment of Inertia [cm ⁴]	14,06	16,62	18,32	19,46	20,24	20,79	
Iy		: 5,84 cm ⁴				Wy		: 1,47 cm ³

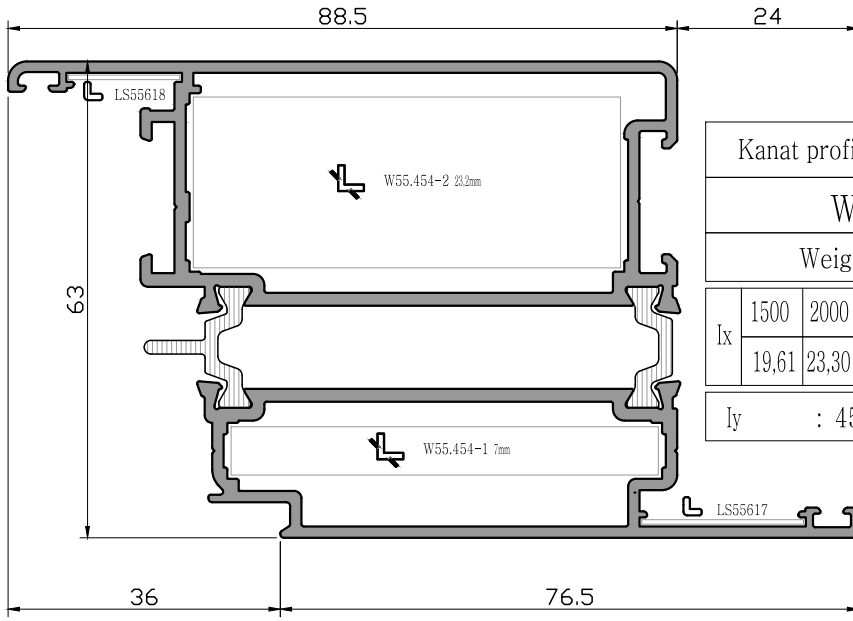


Kanat profili		<i>Vent profile (inside opening)</i>						
W55+ 15.303								
Weight :		1,668 kg/m						
Ix	Span of Beam [mm]	1500	2000	2500	3000	3500	4000	Wx
	Effective Moment of Inertia [cm ⁴]	15,85	18,75	20,74	22,10	23,04	23,71	
Iy		: 9,69 cm ⁴				Wy		: 2,17 cm ³

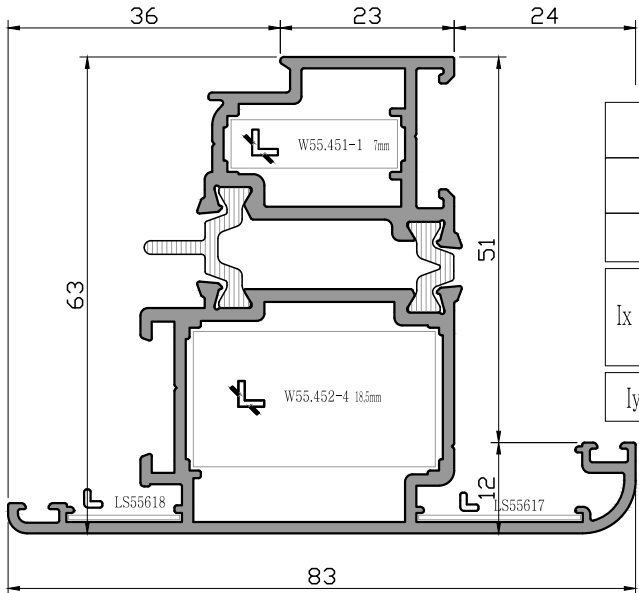
W 55+

YALITIMLI PENCERE VE KAPI SİSTEMİ
INSULATED WINDOW AND DOOR SYSTEMS

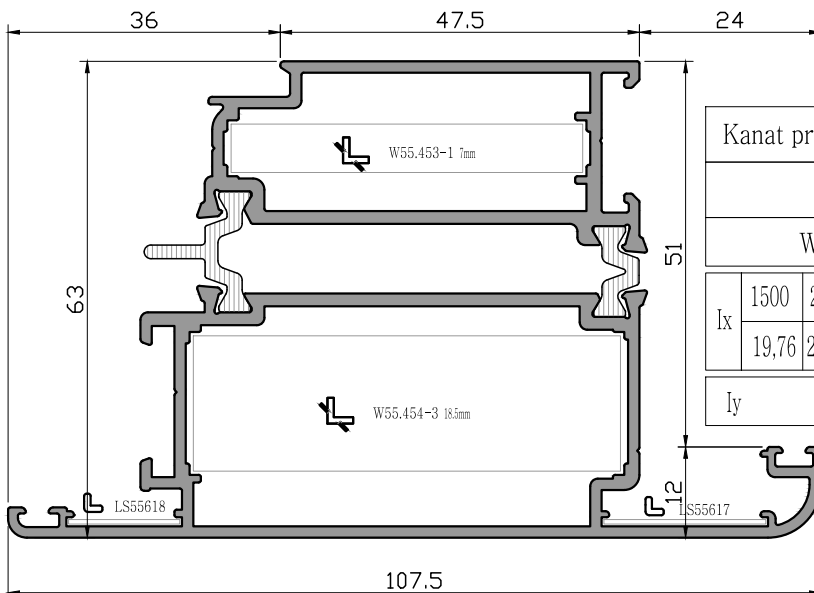
ÜRÜN TEKNİK ÖZELLİKLERİ
PRODUCT'S TECHNICAL FEATURES



Kanat profili	<i>Vent profile (inside opening)</i>						
W55+ 15.304							
Weight : 2,092 kg/m							
Ix	1500	2000	2500	3000	3500	4000	Wx
	19,61	23,30	25,99	27,92	29,30	30,30	
Iy			: 45,26 cm ⁴			Wy : 7,98 cm ³	



Kanat profili	<i>Vent profile (outward opening)</i>							
W55+ 15.310								
Weight : 1,659 kg/m								
Ix	Span of Beam (mm)	1500	2000	2500	3000	3500	4000	Wx
	Effective Moment of Inertia (cm ⁴)	15,99	18,52	20,24	21,40	22,20	22,77	
Iy			: 14,35 cm ⁴			Wy : 3,39 cm ³		



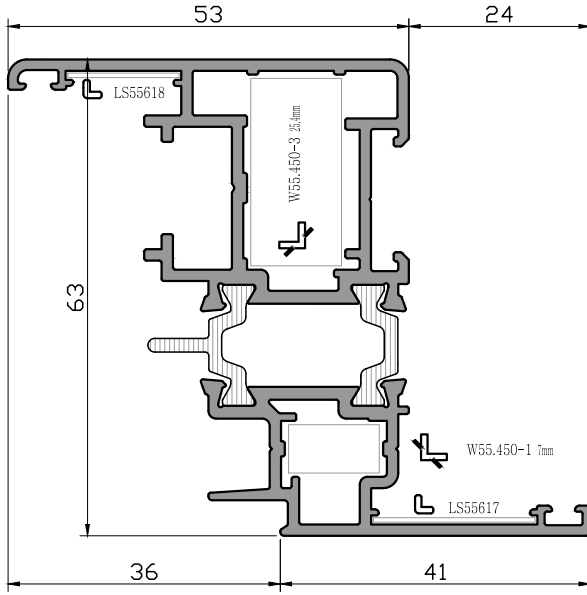
Kanat profili	<i>Vent profile (outward opening)</i>						
W55+ 15.311							
Weight : 2,082 kg/m							
Ix	1500	2000	2500	3000	3500	4000	Wx
	19,76	23,13	25,57	27,30	28,54	29,43	
Iy			: 37,48 cm ⁴			Wy : 6,85 cm ³	

Profil değerleri teoriktir. Ağırlık olarak teslimde yapılan tartım geçerlidir. Profil imalatları TS EN 12020-2 ve TS EN 755-9 toleransı, Moment değerleri EN 14024'e göre hesaplanmıştır.
Profile values are theoretical pre-shipment weight will be valid. The tolerances of Profile manufacturing are calculated according to EN 12020-2 and TS EN 755-9; moment values are calculated according to EN 14024.

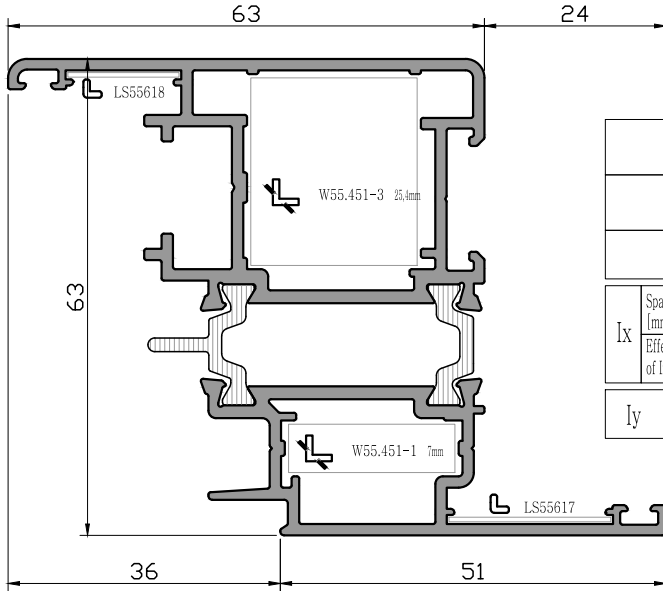
W 55+

YALITIMLI PENCERE VE KAPI SİSTEMİ
INSULATED WINDOW AND DOOR SYSTEMS

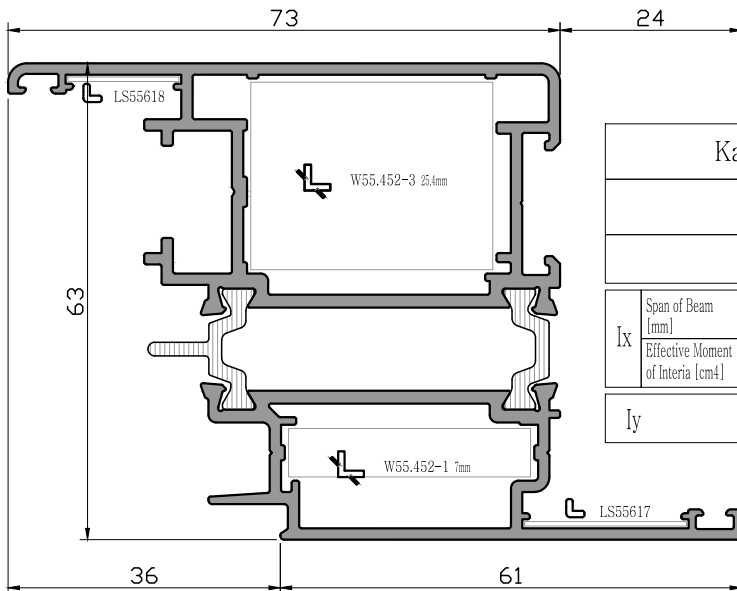
ÜRÜN TEKNİK ÖZELLİKLERİ
PRODUCT'S TECHNICAL FEATURES



Kanat profili		Vent profile (inside opening)						
		W55+ 15.316						
		Weight : 1,517 kg/m						
Ix	Span of Beam [mm]	1500	2000	2500	3000	3500	4000	Wx
	Effective Moment of Inertia [cm ⁴]	13,80	16,40	18,13	19,29	20,08	20,64	
Iy		: 5,04 cm ⁴				Wy		: 1,31 cm ³



Kanat profili		Vent profile (inside opening)						
		W55+ 15.317						
		Weight : 1,690 kg/m						
Ix	Span of Beam [mm]	1500	2000	2500	3000	3500	4000	Wx
	Effective Moment of Inertia [cm ⁴]	15,73	18,67	20,70	22,08	23,04	23,72	
Iy		: 8,74 cm ⁴				Wy		: 2,00 cm ³



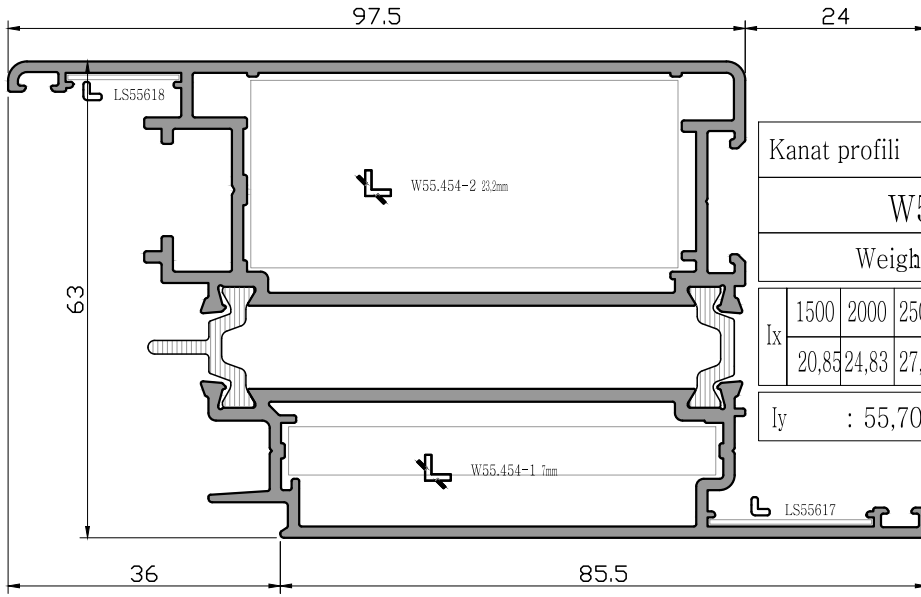
Kanat profili		Vent profile (inside opening)						
		W55+ 15.318						
		Weight : 1,862 kg/m						
Ix	Span of Beam [mm]	1500	2000	2500	3000	3500	4000	Wx
	Effective Moment of Inertia [cm ⁴]	17,37	20,64	22,96	24,57	25,70	26,52	
Iy		: 13,22 cm ⁴				Wy		: 2,71 cm ³

Profil değerleri teoriktir. Ağırlık olarak teslimde yapılan tartım geçerlidir. Profil imalatları TS EN 12020-2 ve TS EN 755-9 toleransı, Moment değerleri EN 14024'e göre hesaplanmıştır.
Profile values are theoretical pre-shipment weight will be valid. The tolerances of Profile manufacturing are calculated according to EN 12020-2 and TS EN 755-9; moment values are calculated according to EN 14024.

W 55+

YALITIMLI PENCERE VE KAPI SİSTEMİ
INSULATED WINDOW AND DOOR SYSTEMS

ÜRÜN TEKNİK ÖZELLİKLERİ
PRODUCT'S TECHNICAL FEATURES



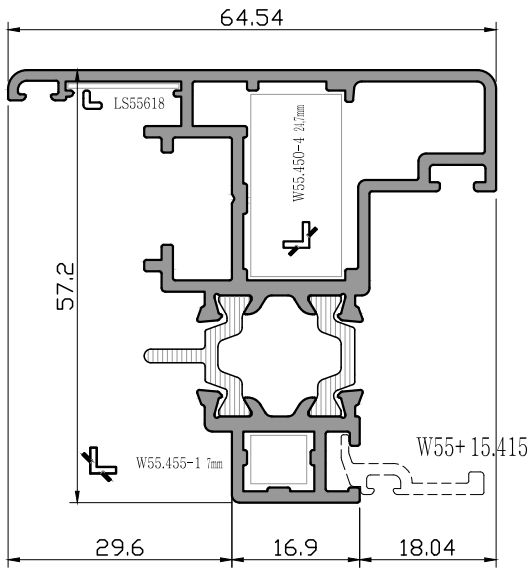
Kanat profili *Vent profile (inside opening)*

W55+ 15.319

Weight 2,286 kg/m

Ix	1500	2000	2500	3000	3500	4000	Wx
	20,85	24,83	27,82	29,98	31,55	32,71	

Iy : 55,70 cm⁴ Wy : 9,11 cm³



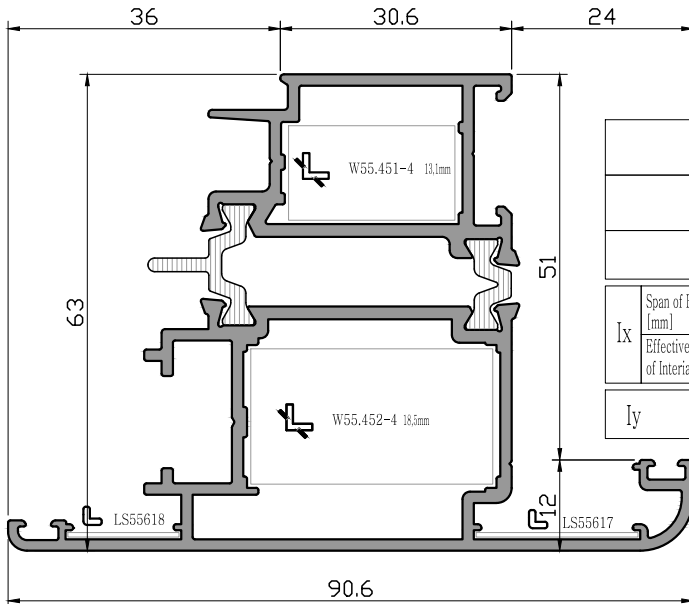
Kanat profili *Vent profile (hidden vent)*

W55+ 15.320

Weight : 1,354 kg/m

Ix	Span of Beam [mm]	1500	2000	2500	3000	3500	4000	Wx
	Effective Moment of Inertia [cm ⁴]	11,06	12,48	13,36	13,92	14,29	14,55	

Iy : 6,63 cm⁴ Wy : 1,81 cm³



Kanat profili *Vent profile (outward opening)*

W55+ 15.325

Weight : 1,806 kg/m

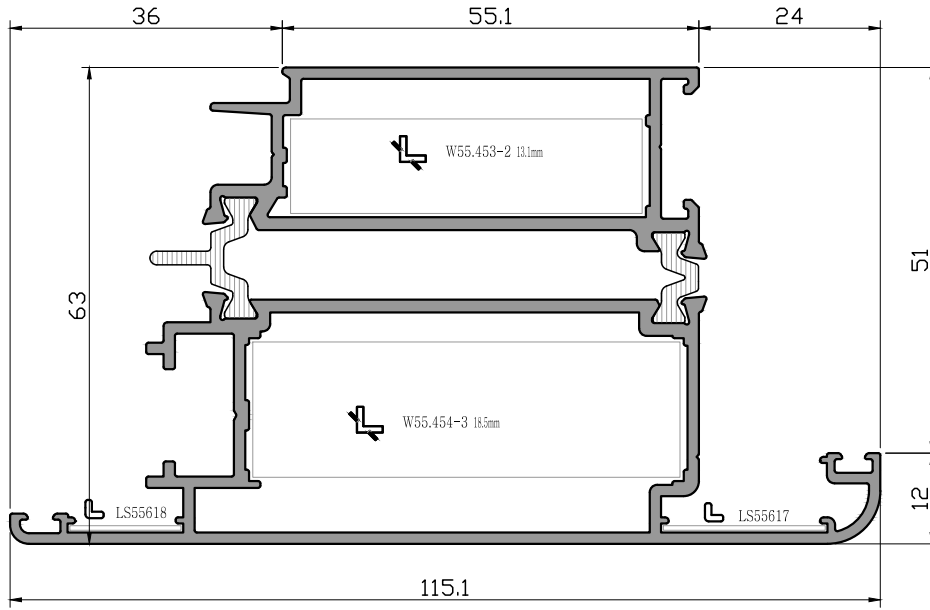
Ix	Span of Beam [mm]	1500	2000	2500	3000	3500	4000	Wx
	Effective Moment of Inertia [cm ⁴]	17,09	19,88	21,81	23,13	24,05	24,70	

Iy : 18,72 cm⁴ Wy : 4,02 cm³

W 55+

YALITIMLI PENCERE VE KAPI SİSTEMİ
INSULATED WINDOW AND DOOR SYSTEMS

ÜRÜN TEKNİK ÖZELLİKLERİ
PRODUCT'S TECHNICAL FEATURES

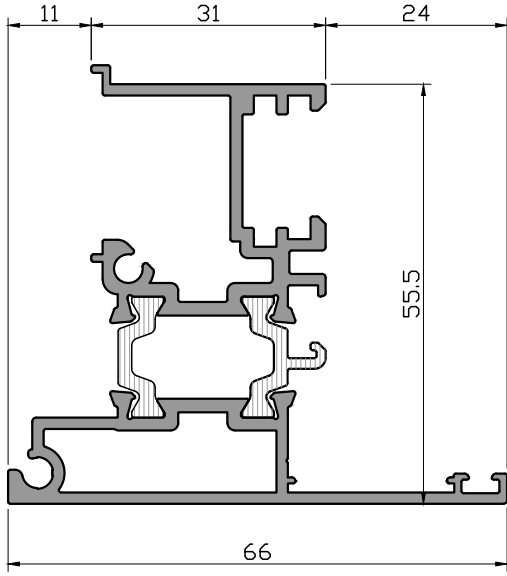


Kanat profili		<i>Vent profile (outward opening)</i>						
W55+ 15.326								
Weight : 2,229 kg/m								
Ix	Span of Beam [mm]	1500	2000	2500	3000	3500	4000	Wx
	Effective Moment of Inertia [cm ⁴]	20,80	24,38	27,03	28,92	30,29	31,29	
Iy		: 45,95 cm ⁴			Wy			: 7,84 cm ³

W 55+

YALITIMLI PENCERE VE KAPI SİSTEMİ
INSULATED WINDOW AND DOOR SYSTEMS

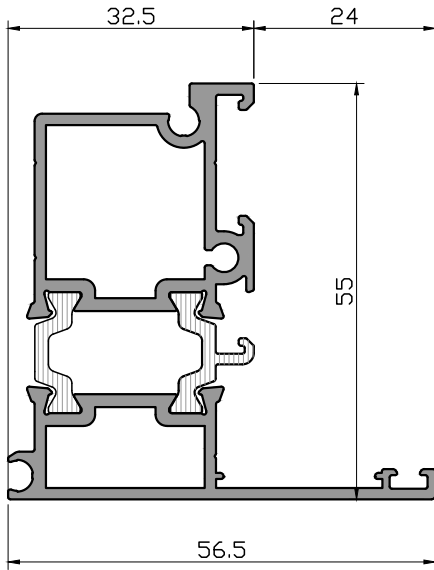
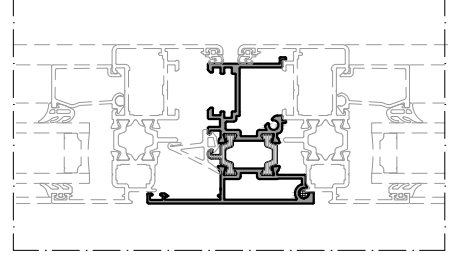
ÜRÜN TEKNİK ÖZELLİKLERİ
PRODUCT'S TECHNICAL FEATURES



Çift kanat profili
Double casement profile

W55+ 15.401

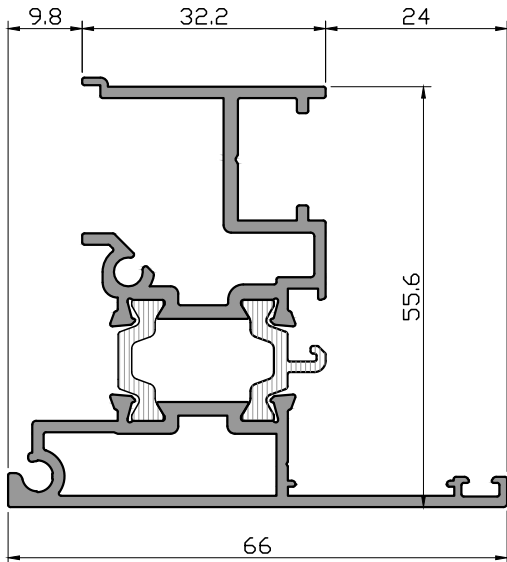
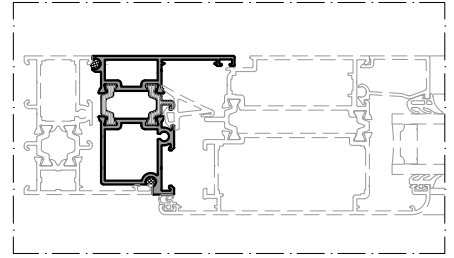
Weight : 1,344 kg/m



Kasa adaptör profili
Frame adapter profile

W55+ 15.402

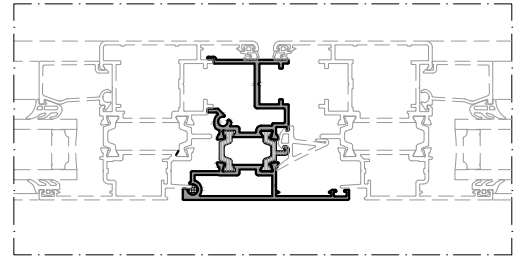
Weight : 1,223 kg/m



Çift kanat profili
Double casement profile

W55+ 15.403

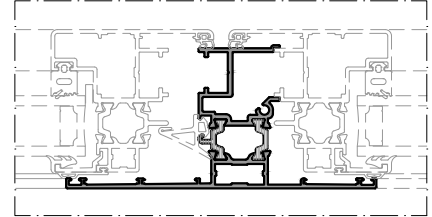
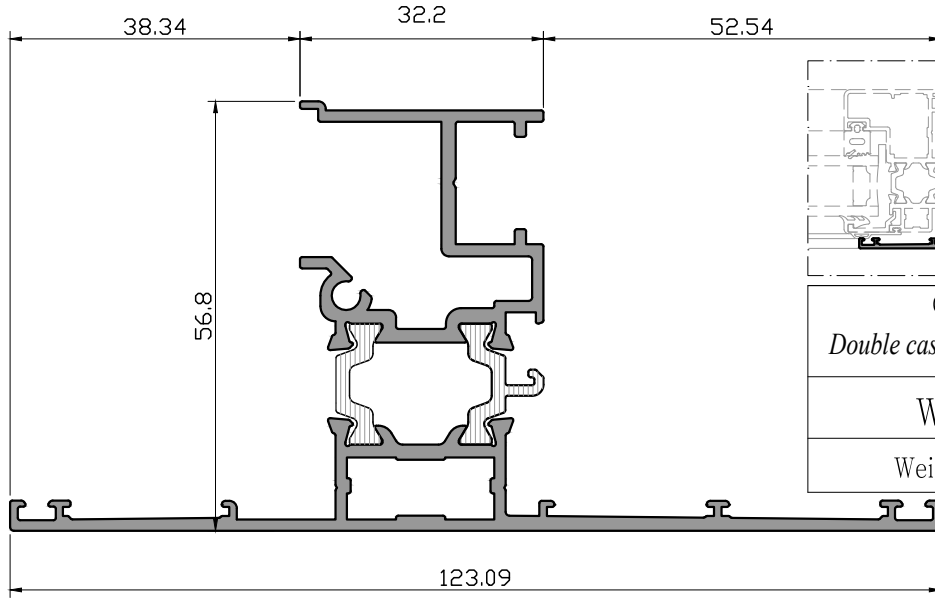
Weight : 1,326 kg/m



W 55+

YALITIMLI PENCERE VE KAPI SİSTEMİ
INSULATED WINDOW AND DOOR SYSTEMS

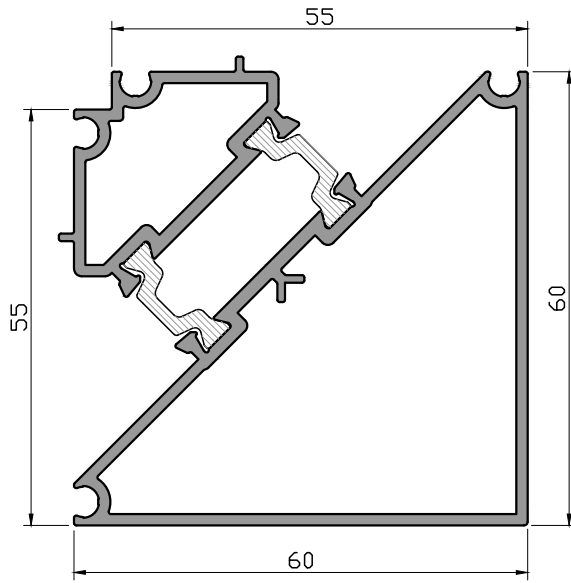
ÜRÜN TEKNİK ÖZELLİKLERİ
PRODUCT'S TECHNICAL FEATURES



Çift kanat profili
Double casement profile (hidden vent)

W55+ 15.410

Weight : 1,577 kg/m

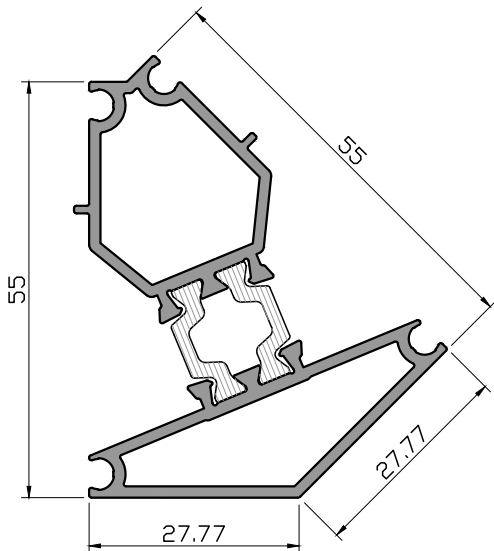
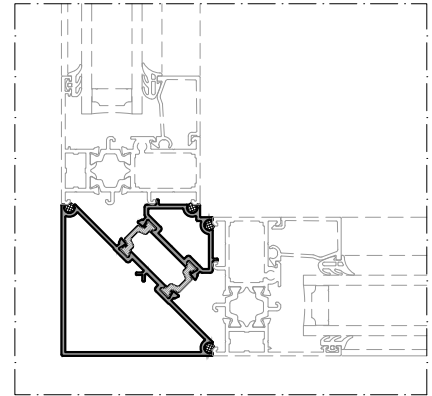


Köşe profili Corner profile 90°

W55+ 15.411

Weight : 1,534 kg/m

Ix	Span of Beam [mm]	1500	2000	2500	3000	3500	4000	Wx
	Effective Moment of Inertia [cm ⁴]	15,56	17,42	18,64	19,46	20,02	20,41	
Iy		: 15,27 cm ⁴			Wy		: 3,61 cm ³	



W55+ 15.412

Weight : 1,062 kg/m

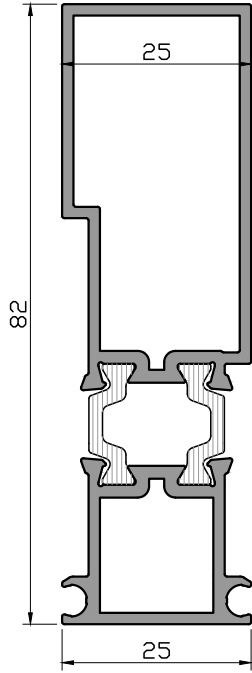
Ix	Span of Beam [mm]	1500	2000	2500	3000	3500	4000	Wx
	Effective Moment of Inertia [cm ⁴]	7,67	8,82	9,52	9,97	10,26	10,47	
Iy		: 3,28 cm ⁴			Wy		: 1,28 cm ³	

Profil değerleri teoriktir. Ağırlık olarak teslimde yapılan tartım geçerlidir. Profil imalatları TS EN 12020-2 ve TS EN 755-9 toleransı, Moment değerleri EN 14024'e göre hesaplanmıştır.
Profile values are theoretical pre-shipment weight will be valid. The tolerances of Profile manufacturing are calculated according to EN 12020-2 and TS EN 755-9; moment values are calculated according to EN 14024.

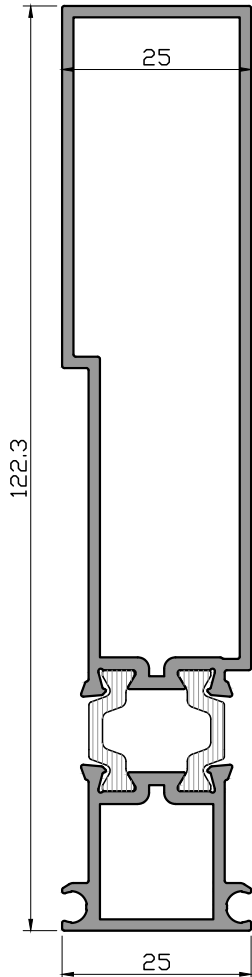
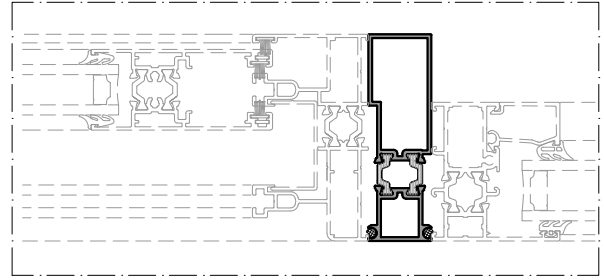
W 55+

YALITIMLI PENCERE VE KAPI SİSTEMİ
INSULATED WINDOW AND DOOR SYSTEMS

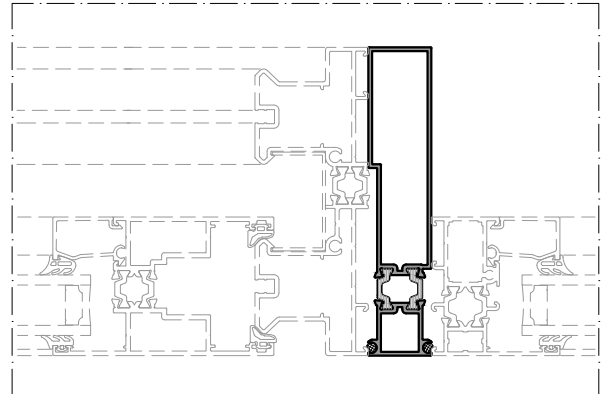
ÜRÜN TEKNİK ÖZELLİKLERİ
PRODUCT'S TECHNICAL FEATURES



Birleşim profili		Connection profile						
W55+ 15.413								
Weight :		1,164 kg/m						
Ix	Span of Beam [mm]	1500	2000	2500	3000	3500	4000	Wx
	Effective Moment of Inertia [cm ⁴]	19,50	21,91	23,42	24,39	25,04	25,48	
Iy	: 1,87 cm ⁴			Wy			: 1,47 cm ³	



Birleşim profili		Connection profile						
W55+ 15.414								
Weight :		1,490 kg/m						
Ix	Span of Beam [mm]	1500	2000	2500	3000	3500	4000	Wx
	Effective Moment of Inertia [cm ⁴]	59,33	65,30	69,15	71,67	73,37	74,56	
Iy	: 3,29 cm ⁴			Wy			: 2,54 cm ³	

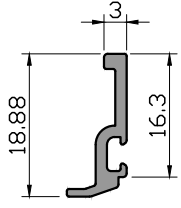


Profil değerleri teoriktir. Ağırlık olarak teslimde yapılan tartım geçerlidir. Profil imalatları TS EN 12020-2 ve TS EN 755-9 toleransı, Moment değerleri EN 14024'e göre hesaplanmıştır.
Profile values are theoretical pre-shipment weight will be valid. The tolerances of Profile manufacturing are calculated according to EN 12020-2 and TS EN 755-9; moment values are calculated according to EN 14024.

W 55+

YALITIMLI PENCERE VE KAPI SİSTEMİ
INSULATED WINDOW AND DOOR SYSTEMS

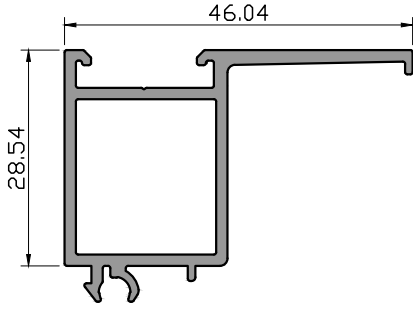
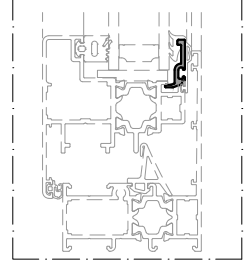
ÜRÜN TEKNİK ÖZELLİKLERİ
PRODUCT'S TECHNICAL FEATURES



Cam çitası pr.
Glazing bead profile

W55+ 15.415

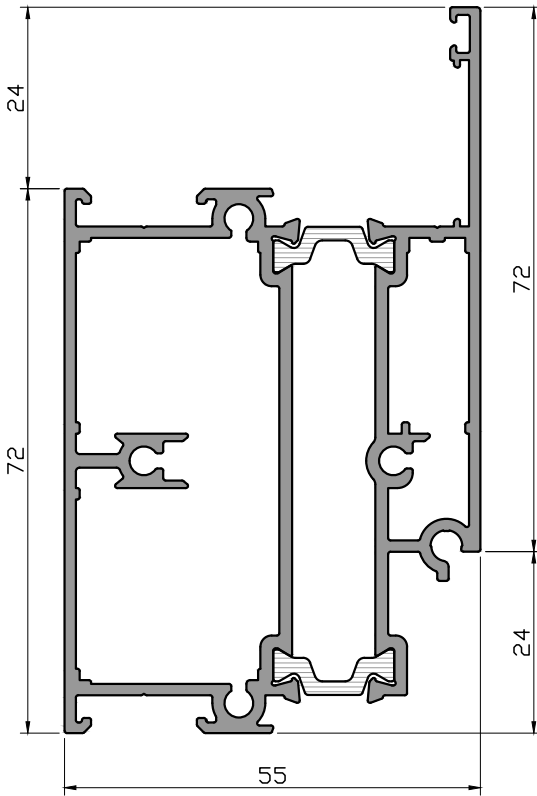
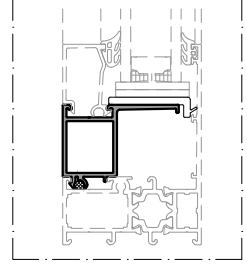
Weight : 0,108 kg/m



Kasa-cam çita adaptör pr.
Frame-glazing bead adapter

W55+ 15.416

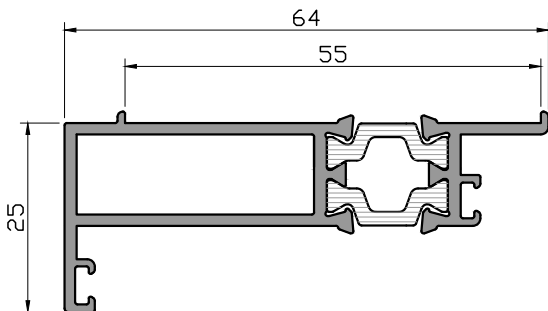
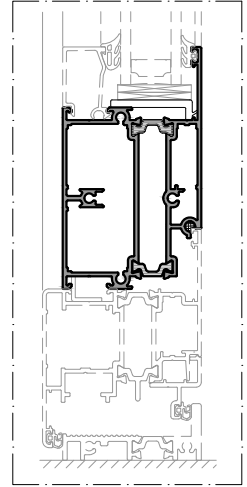
Weight : 0,565 kg/m



Kapı altı adaptör pr.
Bottom door adapter pr.

W55+ 15.417

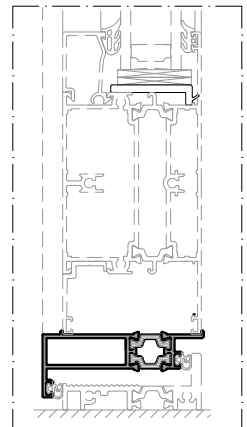
Weight : 2,081 kg/m



Kapı altı adaptör pr.
Bottom door adapter pr.

W55+ 15.418

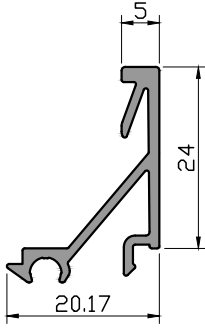
Weight : 0,801 kg/m



W 55+

YALITIMLI PENCERE VE KAPI SİSTEMİ
INSULATED WINDOW AND DOOR SYSTEMS

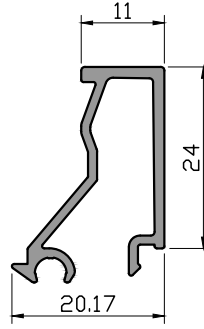
ÜRÜN TEKNİK ÖZELLİKLERİ
PRODUCT'S TECHNICAL FEATURES



cam çitası pr.
glazing bead profile

LS55430

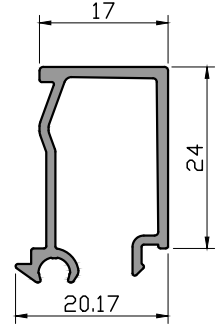
Weight : 0,258 kg/m



cam çitası pr.
glazing bead profile

LS55431

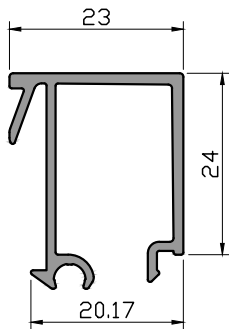
Weight : 0,282 kg/m



cam çitası pr.
glazing bead profile

LS55432

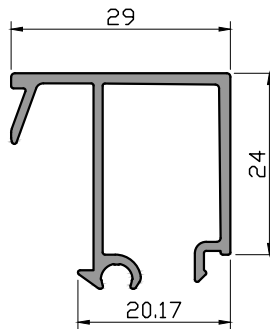
Weight : 0,294 kg/m



cam çitası pr.
glazing bead profile

LS55433

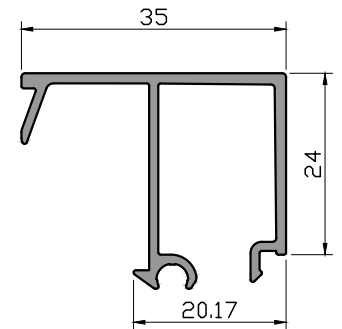
Weight : 0,341 kg/m



cam çitası pr.
glazing bead profile

LS55434

Weight : 0,363 kg/m



cam çitası pr.
glazing bead profile

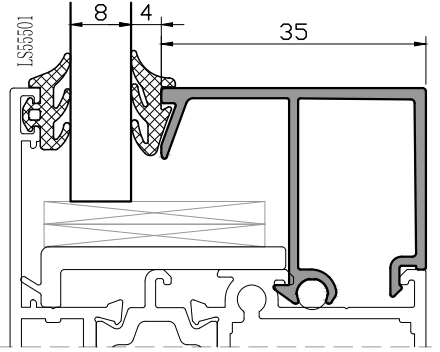
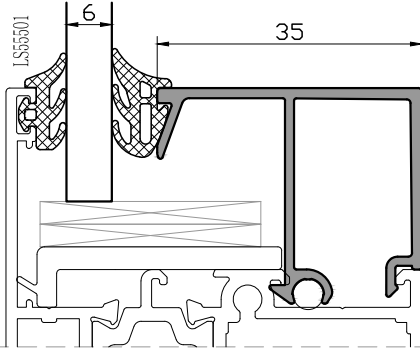
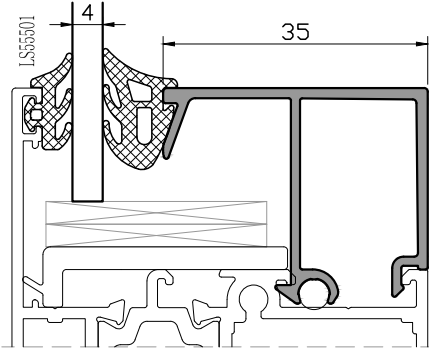
LS55435

Weight : 0,385 kg/m

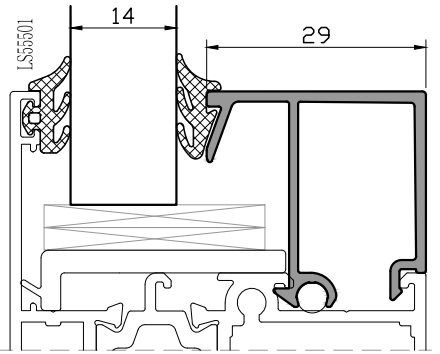
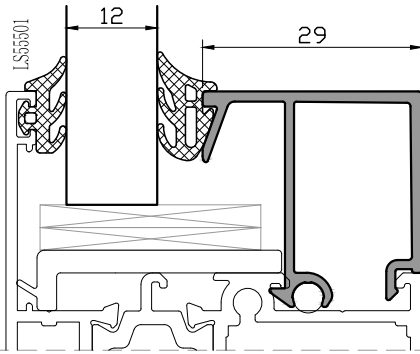
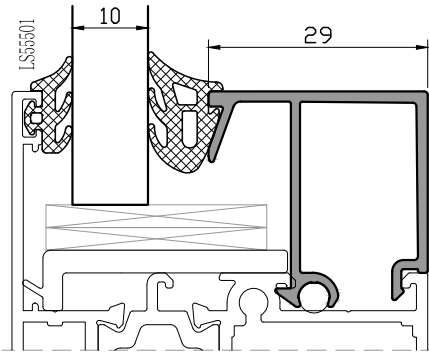
W 55+

YALITIMLI PENCERE VE KAPI SİSTEMİ INSULATED WINDOW AND DOOR SYSTEMS

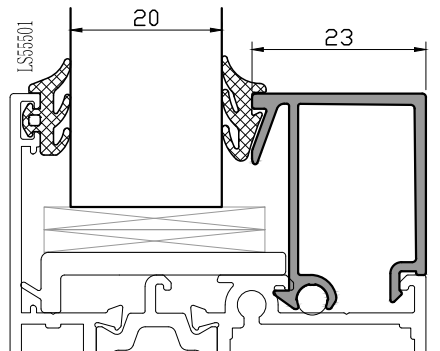
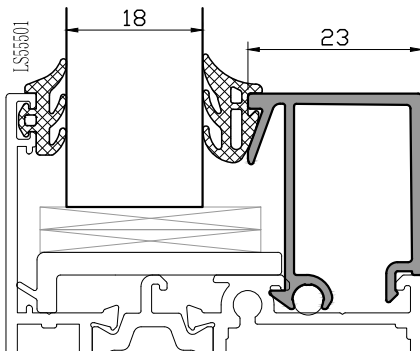
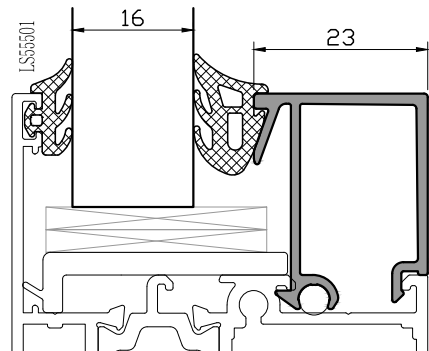
ÜRÜN TEKNİK ÖZELLİKLERİ PRODUCT'S TECHNICAL FEATURES



LS55435	4mm	LS55504
	6mm	LS55503
	8mm	LS55502



LS55434	10mm	LS55504
	12mm	LS55503
	14mm	LS55502

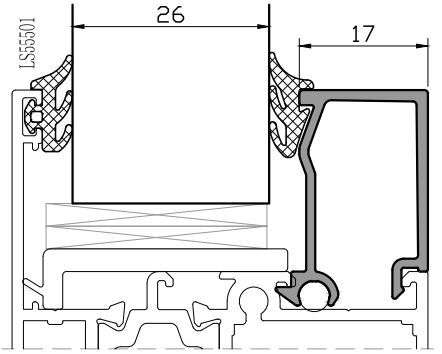
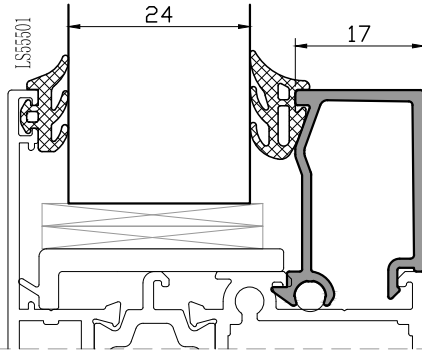
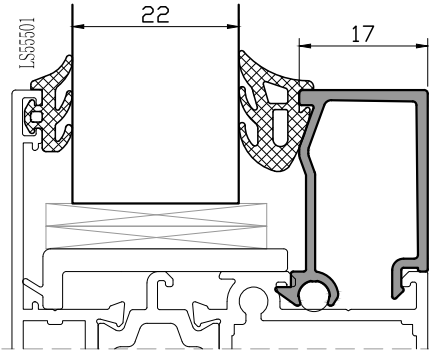


LS55433	16mm	LS55504
	18mm	LS55503
	20mm	LS55502

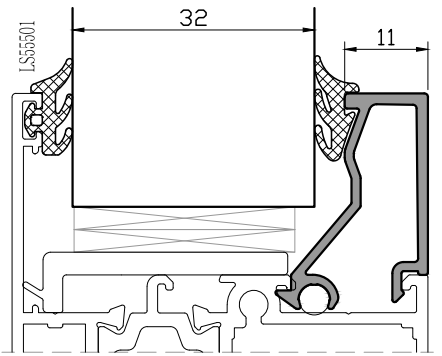
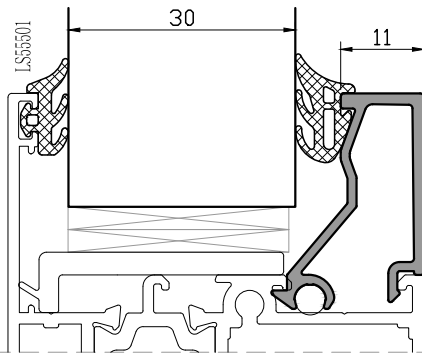
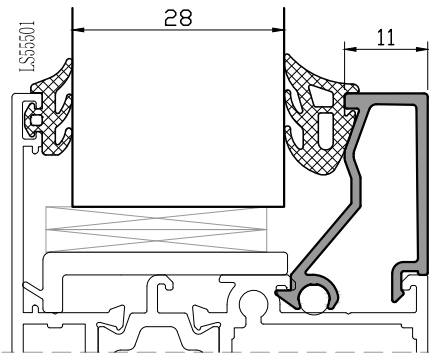
W 55+

YALITIMLI PENCERE VE KAPI SİSTEMİ INSULATED WINDOW AND DOOR SYSTEMS

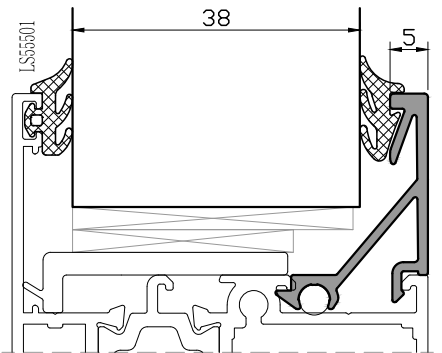
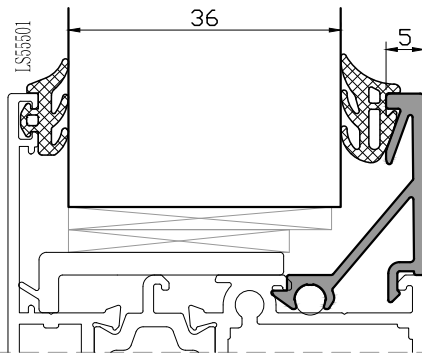
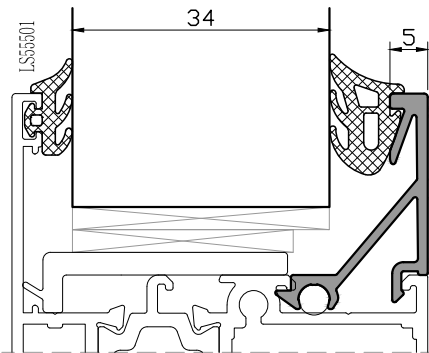
ÜRÜN TEKNİK ÖZELLİKLERİ PRODUCT'S TECHNICAL FEATURES



LS55432	22mm	LS55504
	24mm	LS55503
	26mm	LS55502



LS55431	28mm	LS55504
	30mm	LS55503
	32mm	LS55502

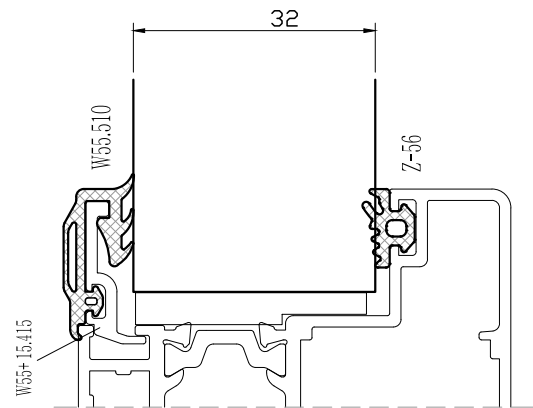
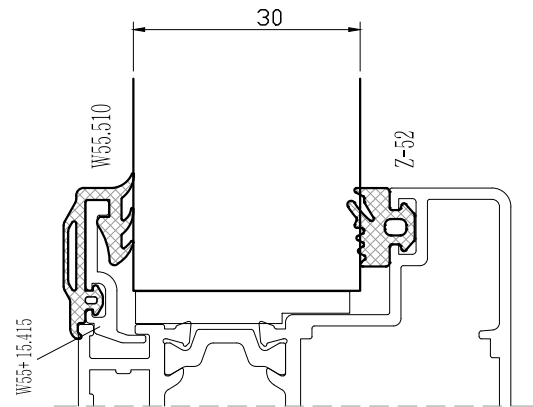
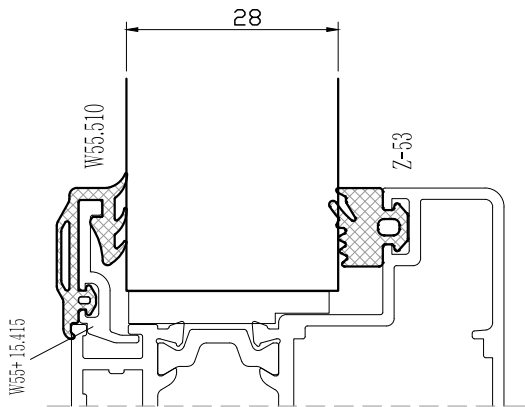
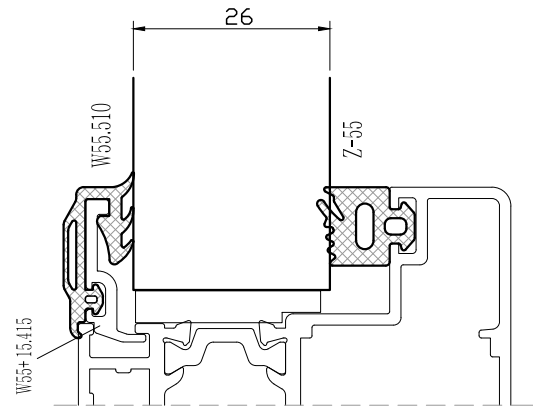
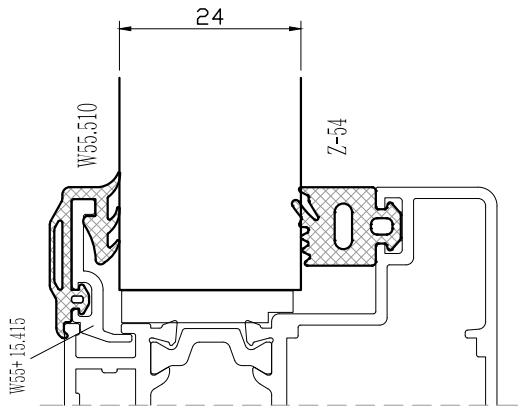


LS55430	34mm	LS55504
	36mm	LS55503
	38mm	LS55502

W 55+

YALITIMLI PENCERE VE KAPI SİSTEMİ
INSULATED WINDOW AND DOOR SYSTEMS

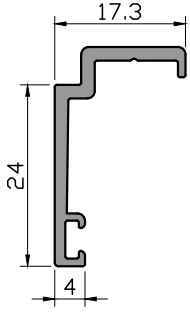
ÜRÜN TEKNİK ÖZELLİKLERİ
PRODUCT'S TECHNICAL FEATURES



W 55+

YALITIMLI PENCERE VE KAPI SİSTEMİ
INSULATED WINDOW AND DOOR SYSTEMS

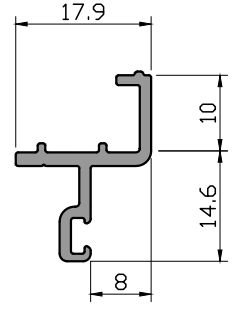
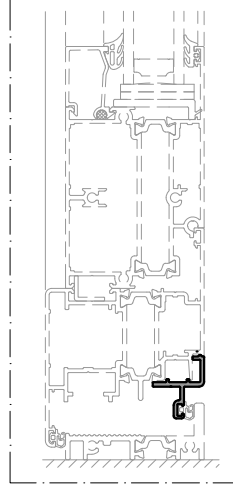
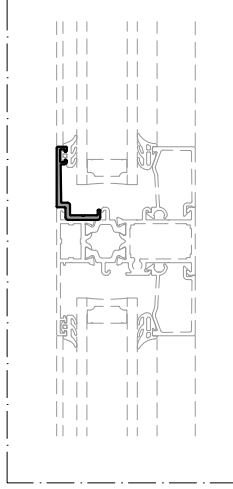
ÜRÜN TEKNİK ÖZELLİKLERİ
PRODUCT'S TECHNICAL FEATURES



Kam dış çerçeve pr.
Glazing bead outer frame

W55+ 15.420

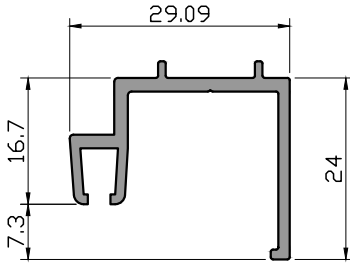
Weight : 0,225 kg/m



Kapı altı adaptör pr.
Bottom door adapter pr.

W55+ 15.421

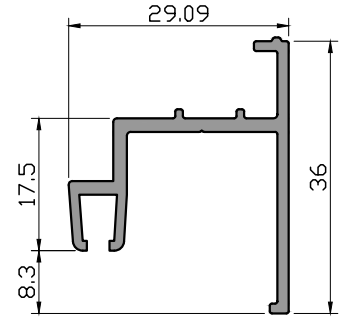
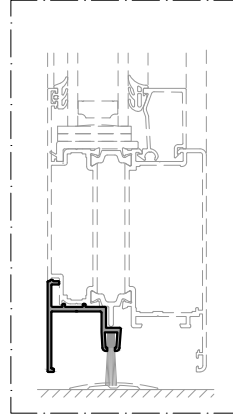
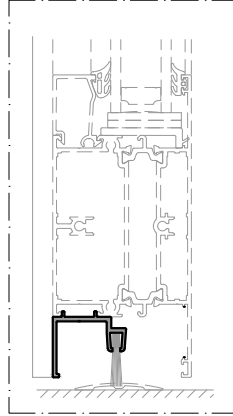
Weight : 0,225 kg/m



Kapı altı adaptör pr.
Bottom door adapter pr.

W55+ 15.422

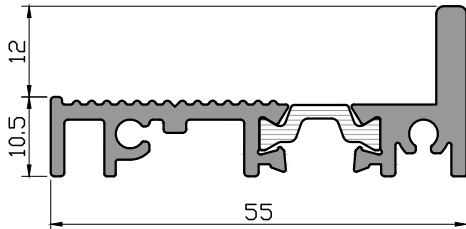
Weight : 0,337 kg/m



Kapı altı adaptör pr.
Bottom door adapter pr.

W55+ 15.423

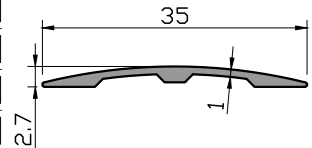
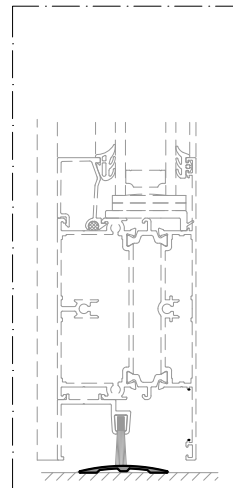
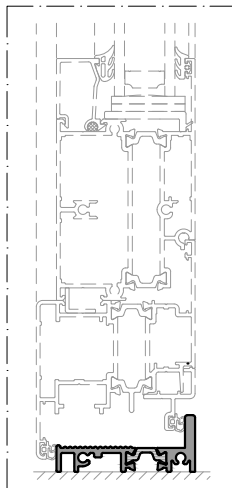
Weight : 0,397 kg/m



Kapı altı adaptör pr.
Bottom door adapter pr.

W55+ 15.424

Weight : 0,791 kg/m



Kapı altı adaptör pr.
Bottom door adapter pr.

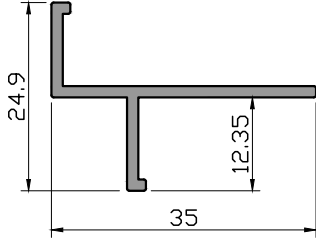
W55+ 15.425

Weight : 0,119 kg/m

W 55+

YALITIMLI PENCERE VE KAPI SİSTEMİ
INSULATED WINDOW AND DOOR SYSTEMS

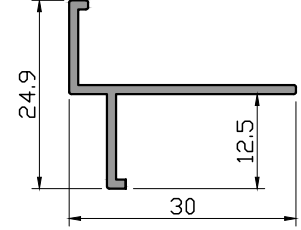
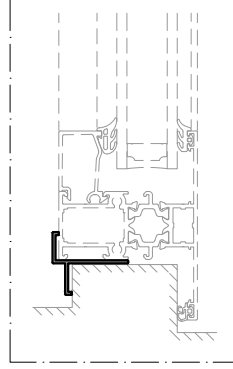
ÜRÜN TEKNİK ÖZELLİKLERİ
PRODUCT'S TECHNICAL FEATURES



Kasa iç çerçeve pr.
Internal frame profile

W55+ 15.430

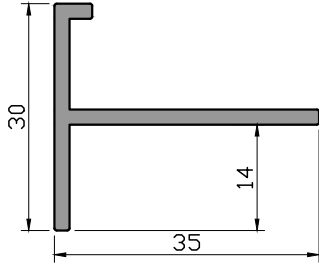
Weight : 0,250 kg/m



Kasa iç çerçeve pr.
Internal frame profile

W55+ 15.431

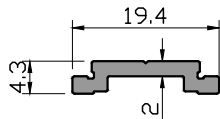
Weight : 0,185 kg/m



Kasa iç çerçeve pr.
Internal frame profile

W55+ 15.432

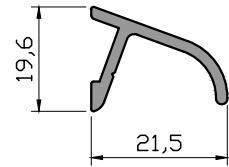
Weight : 0,360 kg/m



Tij pr.
Opening adapter

W55+ 15.434

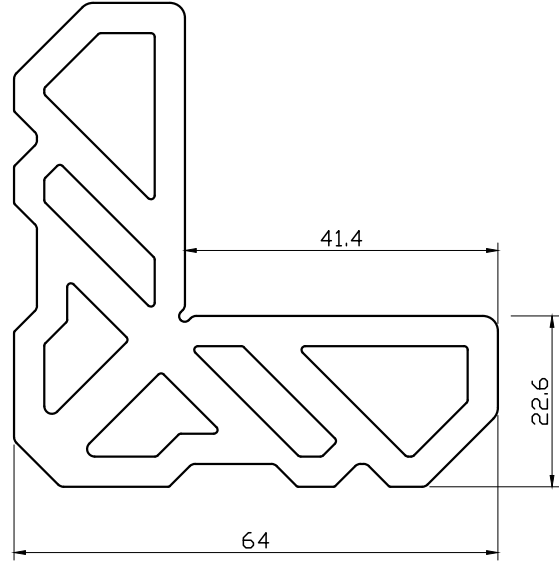
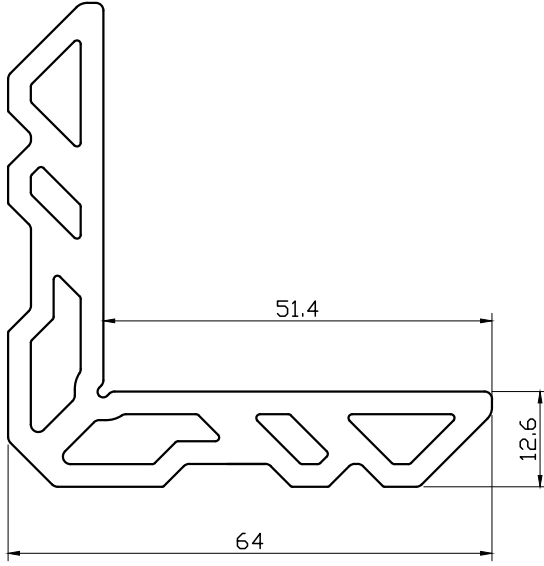
Weight : 0,130 kg/m



Damlalık pr.
Drip cap profile

W55+ 15.435

Weight : 0,143 kg/m



Kasa-kanat köşe takoz pr.
Fixed frame-sash assembling Plug

W55.450

Weight : 2,327 kg/m

W55.450-1 7mm

W55.450-2 23,2mm

W55.450-3 25,4mm

W55.450-4 24,7mm

Kasa-kanat köşe takoz pr.
Fixed frame-sash assembling Plug

W55.451

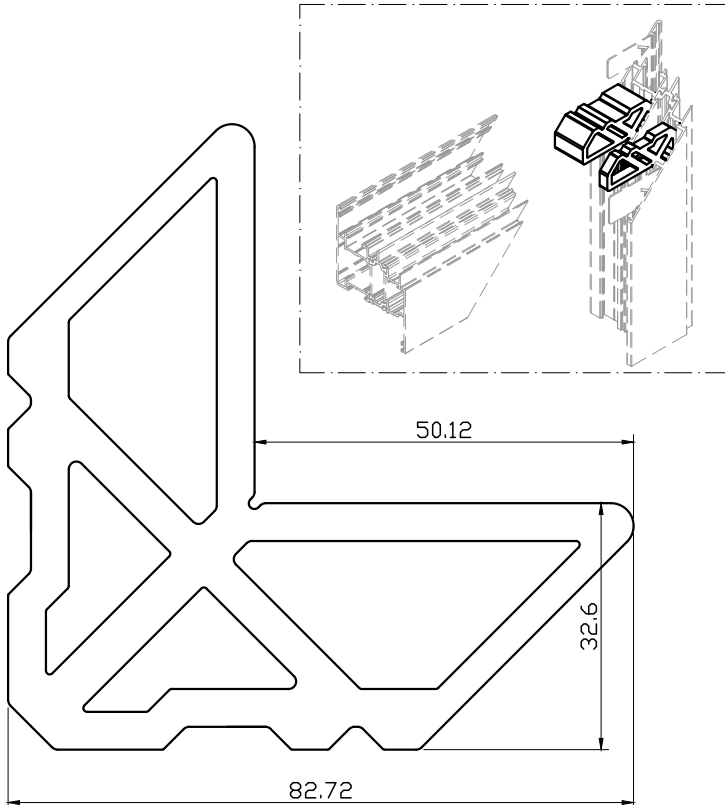
Weight : 3,694 kg/m

W55.451-1 7mm

W55.451-2 23,2mm

W55.451-3 25,4mm

W55.451-4 13,1mm



Kasa-kanat köşe takoz pr.
Fixed frame-sash assembling Plug

W55.452

Weight : 4,909 kg/m

W55.452-1 7mm

W55.452-2 23,2mm

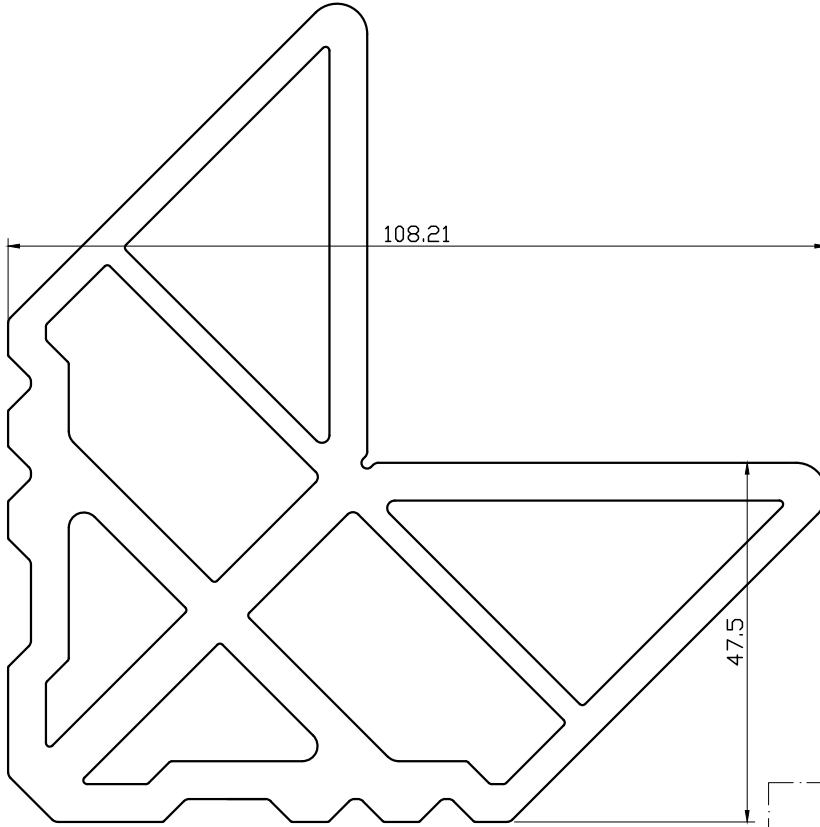
W55.452-3 25,4mm

W55.452-4 18,5mm

W 55+

YALITIMLI PENCERE VE KAPI SİSTEMİ
INSULATED WINDOW AND DOOR SYSTEMS

ÜRÜN TEKNİK ÖZELLİKLERİ
PRODUCT'S TECHNICAL FEATURES



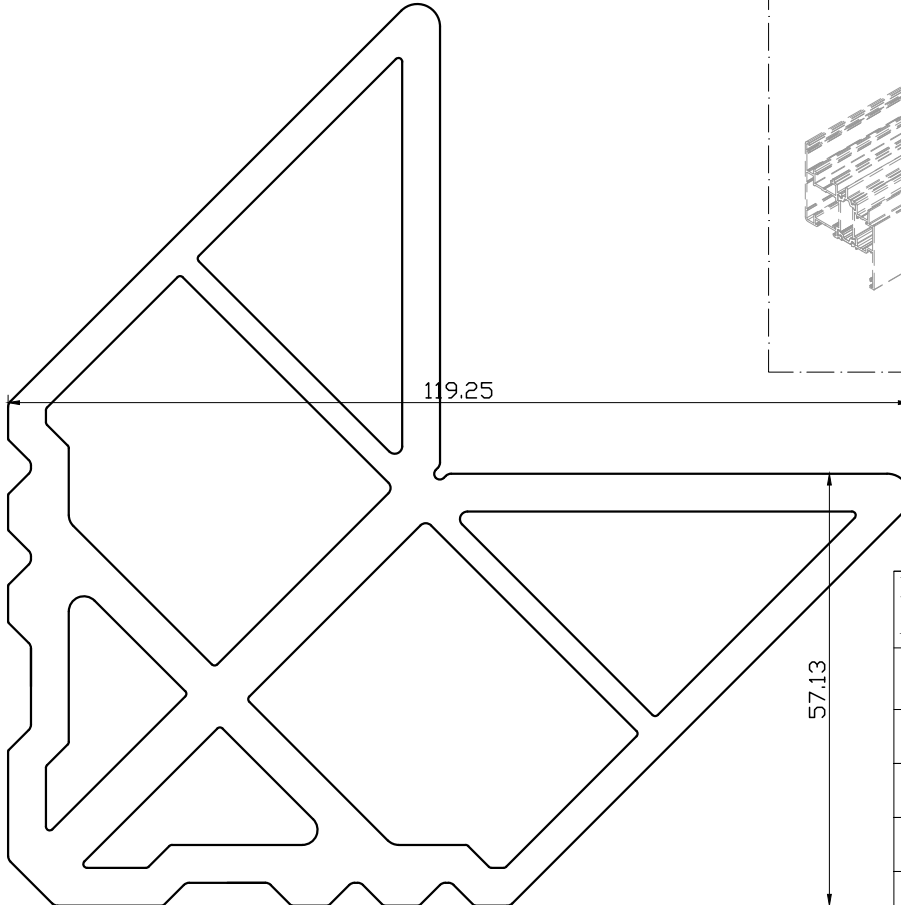
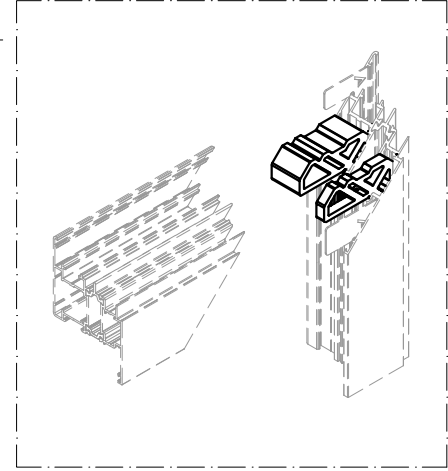
Kasa-kanat köşe takoz pr.
Fixed frame-sash assembling Plug

W55.453

Weight : 7,101 kg/m

W55.453-1 7mm

W55.453-2 13.1mm



Kasa-kanat köşe takoz pr.
Fixed frame-sash assembling Plug

W55.454

Weight : 7,665 kg/m

W55.454-1 7mm

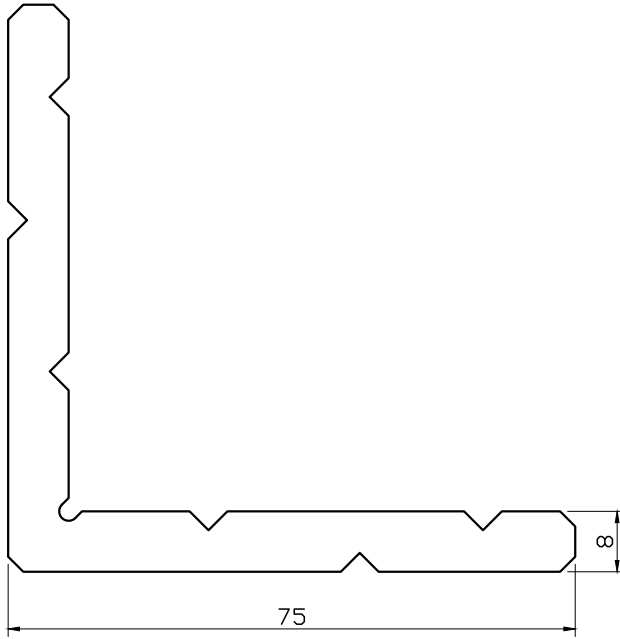
W55.454-2 23,2mm

W55.454-3 18.5mm

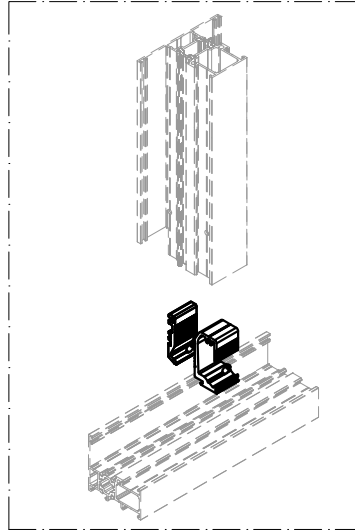
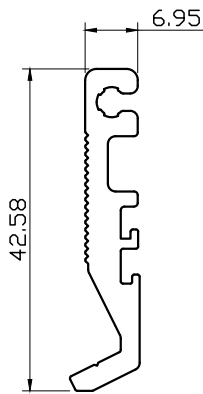
W 55+

YALITIMLI PENCERE VE KAPI SİSTEMİ
INSULATED WINDOW AND DOOR SYSTEMS

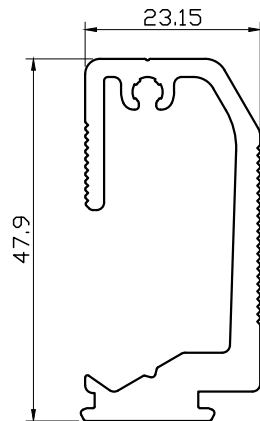
ÜRÜN TEKNİK ÖZELLİKLERİ
PRODUCT'S TECHNICAL FEATURES



Kasa-kanat köşe takoz pr. <i>Fixed frame-sash assembling Plug</i>
W55.455
Weight : 2,927 kg/m
W55.455-1 7mm



orta kayıt bağlantı <i>transom connection</i>
LS55443
Weight : 0,516 kg/m
LS55443-2 12,5mm
LS55443-3 22,5mm
LS55443-5 32,6mm
LS55443-6 25mm

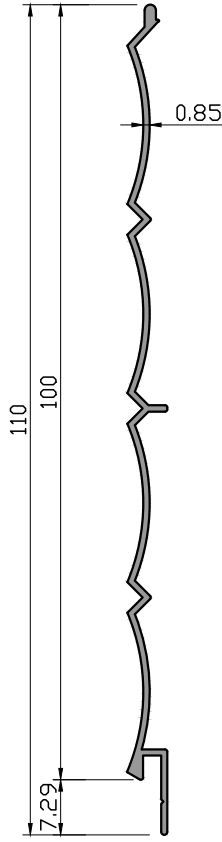
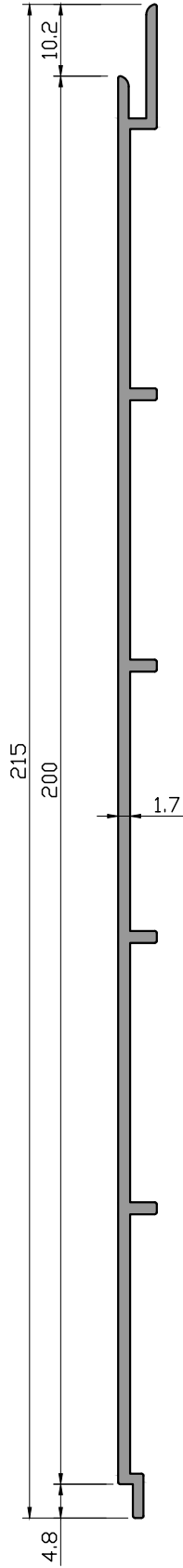


orta kayıt bağlantı <i>transom connection</i>
LS55444
Weight : 0,974 kg/m
LS55444-2 12,5mm
LS55444-3 22,5mm
LS55444-5 32,6mm
LS55444-6 25mm

W 55+

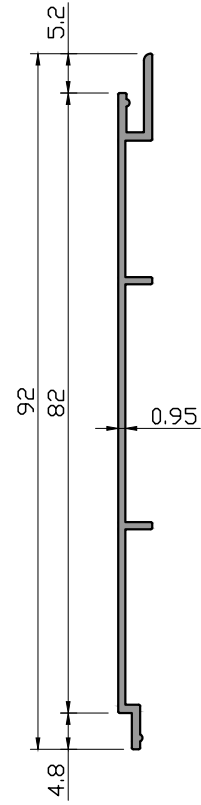
YALITIMLI PENCERE VE KAPI SİSTEMİ
INSULATED WINDOW AND DOOR SYSTEMS

ÜRÜN TEKNİK ÖZELLİKLERİ
PRODUCT'S TECHNICAL FEATURES

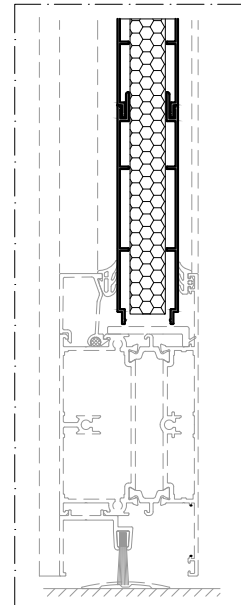


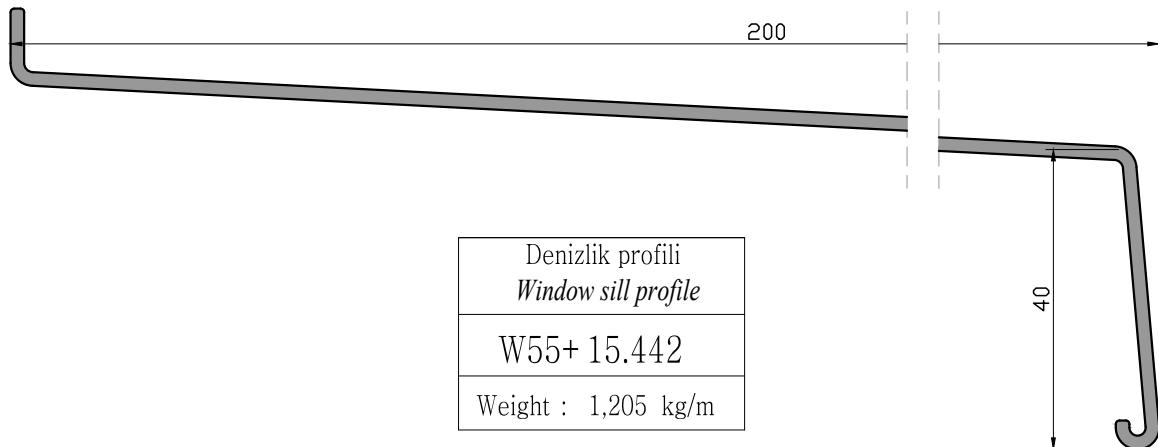
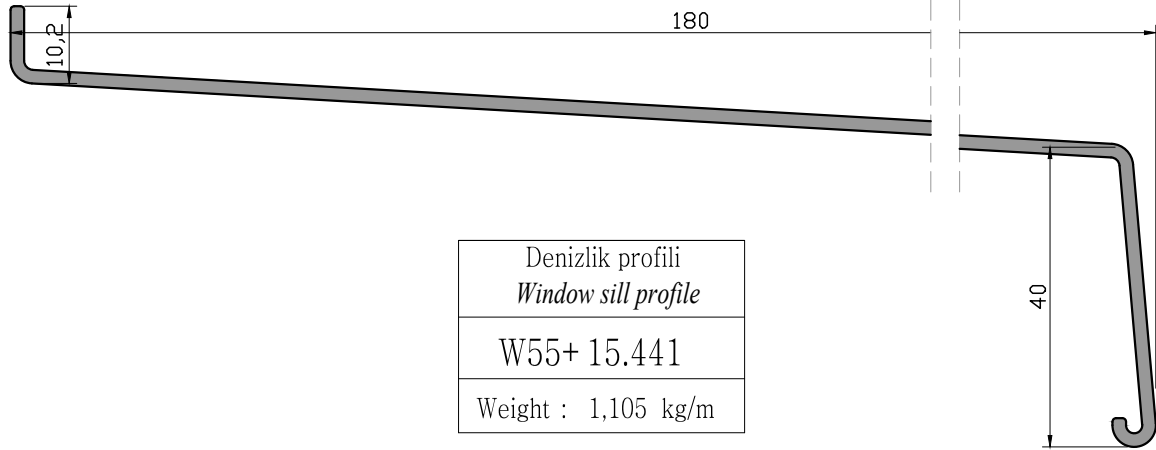
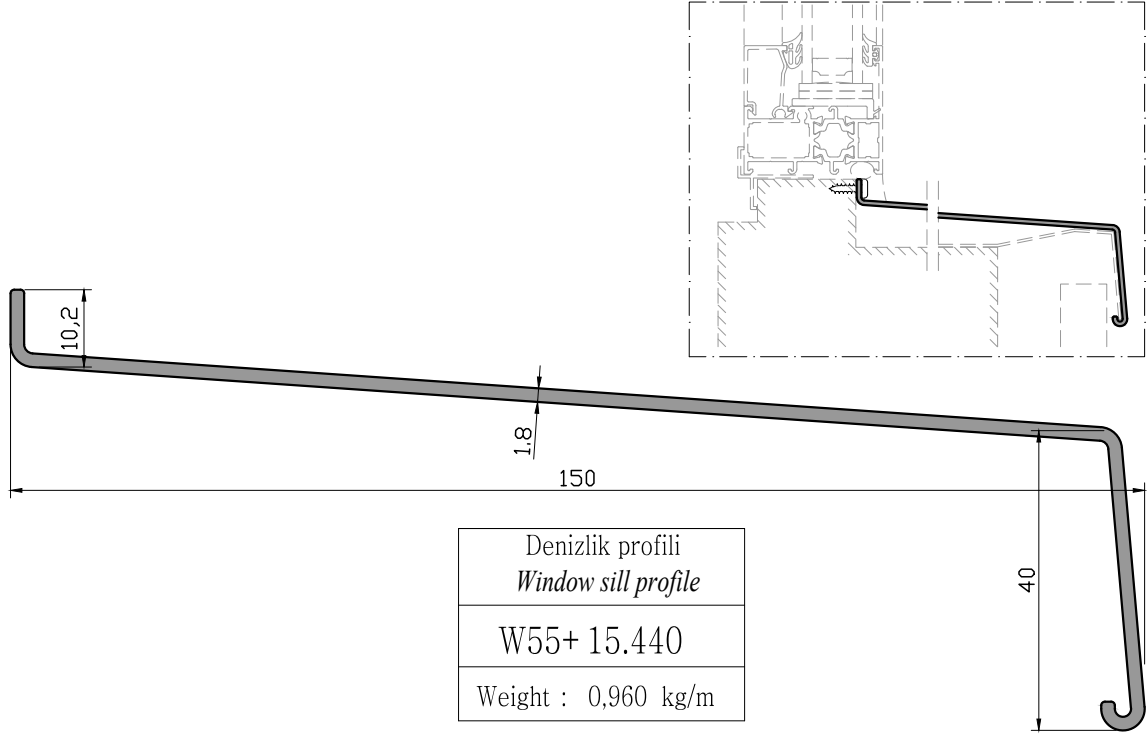
Lambiri profili Covering profile
W55+ 15.437
Weight : 0,305 kg/m

Lambiri profili Covering profile
W55+ 15.436
Weight : 1,095 kg/m



Lambiri profili Covering profile
W55+ 15.438
Weight : 0,295 kg/m





W55+ 15.101										
Weight : 1,170 kg/m										
Ix	Span of Beam (mm)	1500	2000	2500	3000	3500	4000	Wx		
	Effective Moment of Inertia (cm ⁴)	9,22	10,65	11,54	12,12	12,50	12,77		3,51 cm ³	
Iy			: 3,18 cm ⁴			Wy			: 0,94 cm ³	

W55+ 15.102										
Weight : 1,353 kg/m										
Ix	Span of Beam (mm)	1500	2000	2500	3000	3500	4000	Wx		
	Effective Moment of Inertia (cm ⁴)	10,36	12,07	13,18	13,92	14,41	14,76		5,55 cm ³	
Iy			: 6,21 cm ⁴			Wy			: 1,59 cm ³	

W55+ 15.103										
Weight : 1,526 kg/m										
Ix	Span of Beam (mm)	1500	2000	2500	3000	3500	4000	Wx		
	Effective Moment of Inertia (cm ⁴)	11,62	13,61	14,95	15,85	16,47	16,91		4,99 cm ³	
Iy			: 10,32 cm ⁴			Wy			: 2,36 cm ³	

W55+ 15.106										
Weight : 1,501 kg/m										
Ix	Span of Beam (mm)	1500	2000	2500	3000	3500	4000	Wx		
	Effective Moment of Inertia (cm ⁴)	12,05	14,30	15,80	16,80	17,48	17,96		7,91 cm ³	
Iy			: 7,88 cm ⁴			Wy			: 0,15 cm ³	

W55+ 15.107										
Weight : 1,363 kg/m										
Ix	Span of Beam (mm)	1500	2000	2500	3000	3500	4000	Wx		
	Effective Moment of Inertia (cm ⁴)	8,35	9,81	10,76	11,39	11,82	12,12		3,40 cm ³	
Iy			: 7,23 cm ⁴			Wy			: 1,85 cm ³	

W55+ 15.110										
Weight : 1,338 kg/m										
Ix	Span of Beam (mm)	1500	2000	2500	3000	3500	4000	Wx		
	Effective Moment of Inertia (cm ⁴)	9,22	10,65	11,54	12,12	12,50	12,77		5,38 cm ³	
Iy			: 6,56 cm ⁴			Wy			: 1,16 cm ³	

W55+ 15.201										
Weight : 1,320 kg/m										
Ix	Span of Beam (mm)	1500	2000	2500	3000	3500	4000	Wx		
	Effective Moment of Inertia (cm ⁴)	10,07	11,81	12,94	13,68	14,18	14,53		3,63 cm ³	
Iy			: 6,58 cm ⁴			Wy			: 1,75 cm ³	

W55+ 15.202										
Weight : 1,502 kg/m										
Ix	Span of Beam (mm)	1500	2000	2500	3000	3500	4000	Wx		
	Effective Moment of Inertia (cm ⁴)	11,29	13,32	14,68	15,59	16,22	16,66		4,20 cm ³	
Iy			: 11,04 cm ⁴			Wy			: 2,60 cm ³	

W55+ 15.203										
Weight : 1,675 kg/m										
Ix	Span of Beam (mm)	1500	2000	2500	3000	3500	4000	Wx		
	Effective Moment of Inertia (cm ⁴)	12,40	14,68	16,26	17,24	18,09	18,63		4,77 cm ³	
Iy			: 17,38 cm ⁴			Wy			: 3,66 cm ³	

W55+ 15.204										
Weight : 2,344 kg/m										
Ix	Span of Beam (mm)	1500	2000	2500	3000	3500	4000	Wx		
	Effective Moment of Inertia (cm ⁴)	74,66	88,20	95,15	100,11	103,67	106,25		13,96 cm ³	
Iy			: 19,72 cm ⁴			Wy			: 4,64 cm ³	

W55+ 15.210										
Weight : 1,488 kg/m										
Ix	Span of Beam (mm)	1500	2000	2500	3000	3500	4000	Wx		
	Effective Moment of Inertia (cm ⁴)	10,97	13,10	14,53	15,48	16,14	16,60		3,08 cm ³	
Iy			: 19,59 cm ⁴			Wy			: 3,26 cm ³	

W55+ 15.215										
Weight : 3,403 kg/m										
Ix	Span of Beam (mm)	1500	2000	2500	3000	3500	4000	Wx		
	Effective Moment of Inertia (cm ⁴)	21,20	25,57	29,22	32,09	34,32	36,03		10,55 cm ³	
Iy			: 157,91 cm ⁴			Wy			: 18,58 cm ³	

W55+ 15.216										
Weight : 2,298 kg/m										
Ix	Span of Beam (mm)	1500	2000	2500	3000	3500	4000	Wx		
	Effective Moment of Inertia (cm ⁴)	16,00	19,25	21,70	23,47	24,77	25,71		7,09 cm ³	
Iy			: 43,15 cm ⁴			Wy			: 7,19 cm ³	

W55+ 15.301										
Weight : 1,298 kg/m										
Ix	Span of Beam (mm)	1500	2000	2500	3000	3500	4000	Wx		
	Effective Moment of Inertia (cm ⁴)	14,08	16,22	17,60	18,49	19,10	19,52		5,44 cm ³	
Iy			: 2,99 cm ⁴			Wy			: 0,86 cm ³	

W55+ 15.302										
Weight : 1,496 kg/m										
Ix	Span of Beam (mm)	1500	2000	2500	3000	3500	4000	Wx		
	Effective Moment of Inertia (cm ⁴)	14,06	16,62	18,32	19,46	20,24	20,79		6,85 cm ³	
Iy			: 5,84 cm ⁴			Wy			: 1,47 cm ³	

W55+ 15.303										
Weight : 1,668 kg/m										
Ix	Span of Beam (mm)	1500	2000	2500	3000	3500	4000	Wx		
	Effective Moment of Inertia (cm ⁴)	15,85	18,75	20,74	22,10	23,04	23,71		8,15 cm ³	
Iy			: 9,69 cm ⁴			Wy			: 2,17 cm ³	

Calculation of the Effective Moment of Inertia of Thermal Barrier Profiles according to EN 14024

EN 14024 ısı bariyerli profillerin efektif moment hesaplamaları

W55+ 15.304										
Weight : 2,092 kg/m										
Ix	Span of Beam (mm)	1500	2000	2500	3000	3500	4000	Wx		
	Effective Moment of Inertia (cm ⁴)	19,61	23,30	25,99	27,92	29,30	30,30		6,19 cm ³	
Iy			: 45,26 cm ⁴			Wy			: 7,98 cm ³	

W55+ 15.310										
Weight : 1,659 kg/m										
Ix	Span of Beam (mm)	1500	2000	2500	3000	3500	4000	Wx		
	Effective Moment of Inertia (cm ⁴)	15,99	18,52	20,24	21,40	22,20	22,77		6,82 cm ³	
Iy			: 14,35 cm ⁴			Wy			: 3,39 cm ³	

W55+ 15.311										
Weight : 2,082 kg/m										
Ix	Span of Beam (mm)	1500	2000	2500	3000	3500	4000	Wx		
	Effective Moment of Inertia (cm ⁴)	19,76	23,13	25,57	27,30	28,54	29,43		7,10 cm ³	
Iy			: 37,48 cm ⁴			Wy			: 6,85 cm ³	

W55+ 15.316										
Weight : 1,517 kg/m										
Ix	Span of Beam (mm)	1500	2000	2500	3000	3500	4000	Wx		
	Effective Moment of Inertia (cm ⁴)	13,80	16,40	18,13	19,29	20,08	20,64		6,60 cm ³	
Iy			: 5,04 cm ⁴			Wy			: 1,31 cm ³	

W55+ 15.317										
Weight : 1,690 kg/m										
Ix	Span of Beam (mm)	1500	2000	2500	3000	3500	4000	Wx		
	Effective Moment of Inertia (cm ⁴)	15,73	18,67	20,70	22,08	23,04	23,72		7,98 cm ³	
Iy			: 8,74 cm ⁴			Wy			: 2,00 cm ³	

W55+ 15.318										
Weight : 1,862 kg/m										
Ix	Span of Beam (mm)	1500	2000	2500	3000	3500	4000	Wx		
	Effective Moment of Inertia (cm ⁴)	17,37	20,64	22,96	24,57	25,70	26,52		9,78 cm ³	
Iy			: 13,22 cm ⁴			Wy			: 2,71 cm ³	

W55+ 15.319										
Weight : 2,286 kg/m										
Ix	Span of Beam (mm)	1500	2000	2500	3000	3500	4000	Wx		
	Effective Moment of Inertia (cm ⁴)	20,83	24,83	27,82	29,98	31,55	32,71		7,26 cm ³	
Iy			: 55,70 cm ⁴			Wy			: 9,11 cm ³	

W55+ 15.320										
Weight : 1,354 kg/m										
Ix	Span of Beam (mm)	1500	2000	2500	3000	3500	4000	Wx		
	Effective Moment of Inertia (cm ⁴)	11,06	12,48	13,36	13,92	14,29	14,55		3,46 cm ³	
Iy			: 6,63 cm ⁴			Wy			: 1,81 cm ³	

W55+ 15.325										
Weight : 1,806 kg/m										
Ix	Span of Beam (mm)	1500	2000	2500	3000	3500	4000	Wx		
	Effective Moment of Inertia (cm ⁴)	17,09	19,88	21,81	23,13	24,05	24,70		5,61 cm ³	
Iy			: 18,72 cm ⁴			Wy			: 4,02 cm ³	

W55+ 15.326										
Weight : 2,229 kg/m										
Ix	Span of Beam (mm)	1500	2000	2500	3000	3500	4000	Wx		
	Effective Moment of Inertia (cm ⁴)	20,80	24,38	27,03	28,92	30,29	31,29		7,58 cm ³	
Iy			: 45,95 cm ⁴			Wy			: 7,84 cm ³	

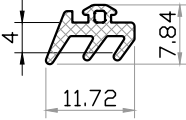
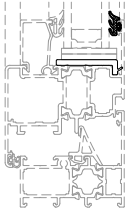
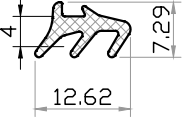
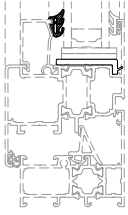
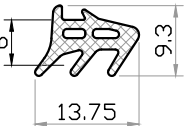
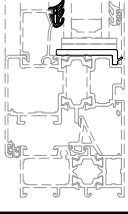
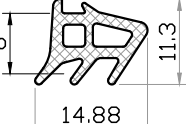
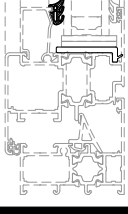
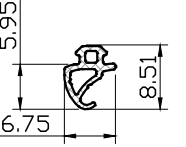
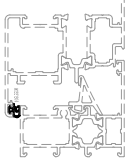
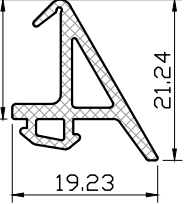
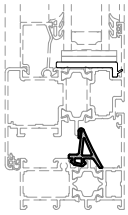
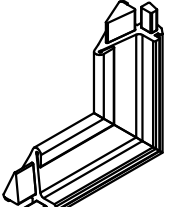
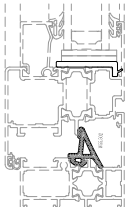
Calculation of the Effective Moment of Inertia of Thermal Barrier Profiles according to EN 14024

EN 14024 ısı bariyerli profillerin efektif moment hesaplamaları

W 55+

YALITIMLI PENCERE VE KAPI SİSTEMİ
INSULATED WINDOW AND DOOR SYSTEMS

ÜRÜN TEKNİK ÖZELLİKLERİ
PRODUCT'S TECHNICAL FEATURES

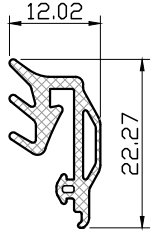
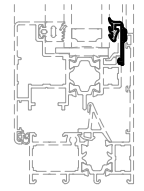

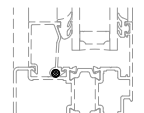
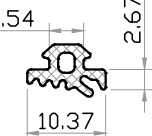
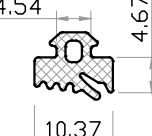
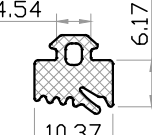
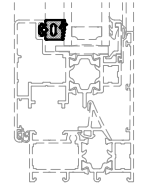
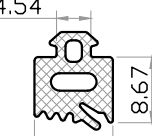
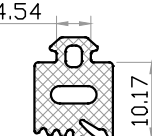
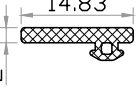
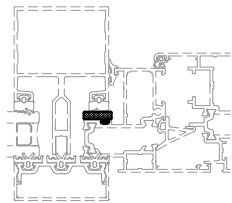
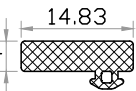
kod code	şekil drawing	tanım description	teorik ağırlık theoretical weight gr / m	paket ağırlığı package weight kg / package	paket metrajı in one package metre / package	kullanım yeri application
LS55501		epdm cam dış fitil glazing gasket outside	51 gr/m	15 kg	285 m	
LS55502		epdm cam iç fitil glazing gasket inside	50 gr/m	15 kg	300 m	
LS55503		epdm cam iç fitil glazing gasket inside	70 gr/m	15 kg	210 m	
LS55504		epdm cam iç fitil glazing gasket inside	86 gr/m	15 kg	171 m	
W55.501		epdm cam iç fitil glazing gasket inside	25 gr/m	15 kg	590 m	
W55.502		epdm tozluk iç fitil epdm central gasket	133 gr/m	15 kg	111 m	
W55.503		epdm tozluk iç fitil epdm central gasket	--	--	50 ad./pk 50 pcs/pk	

Profil değerleri teoriktir. Ağırlık olarak teslimde yapılan tartım geçerlidir. Profil imalatları TS EN 12020-2 ve TS EN 755-9 toleransı, Moment değerleri EN 14024'e göre hesaplanmıştır.
Profile values are theoretical pre-shipment weight will be valid. The tolerances of Profile manufacturing are calculated according to EN 12020-2 and TS EN 755-9; moment values are calculated according to EN 14024.

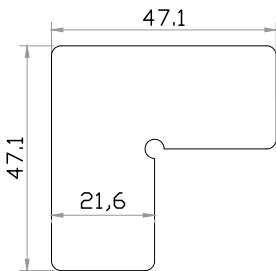
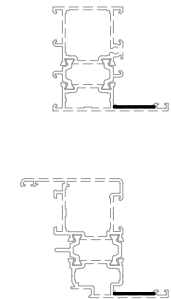
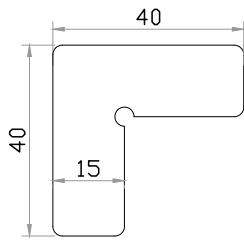
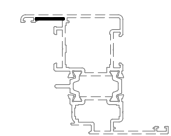
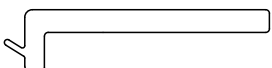
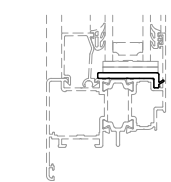
W 55+

YALITIMLI PENCERE VE KAPI SİSTEMİ
INSULATED WINDOW AND DOOR SYSTEMS

ÜRÜN TEKNİK ÖZELLİKLERİ
PRODUCT'S TECHNICAL FEATURES

kod code	şekil drawing	tanım description	teorik ağırlık theoretical weight	paket ağırlığı package weight	paket metrajı in one package	kullanım yeri application
W55.510		epdm cam dış fitil glazing gasket outside	114 gr/m	15 kg	129 m	
W55.511		epdm fitil epdm gasket	16 gr/m	10 kg	609 m	
Z-56		epdm cam iç fitil glazing gasket inside	42 gr/m	15 kg	355 m	
Z-52		epdm cam iç fitil glazing gasket inside	66 gr/m	15 kg	225 m	
Z-53		epdm cam iç fitil glazing gasket inside	88 gr/m	15 kg	165 m	
Z-55		epdm cam iç fitil glazing gasket inside	104 gr/m	15 kg	142 m	
Z-54		epdm cam iç fitil glazing gasket inside	124 gr/m	15 kg	120 m	
W55.512		epdm cam iç fitil glazing gasket inside	47 gr/m	15 kg	313 m	
W55.513		epdm cam iç fitil glazing gasket inside	124 gr/m	15 kg	168 m	

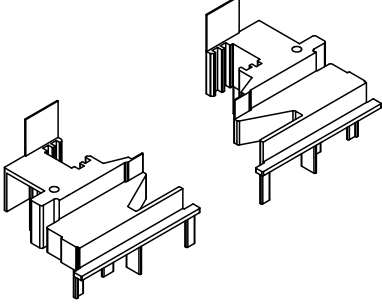
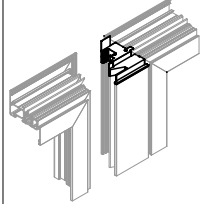
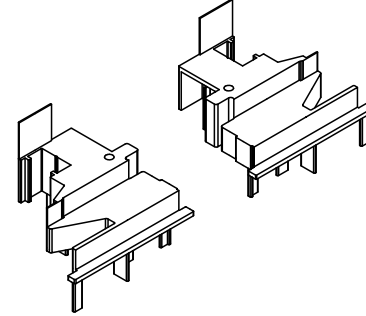
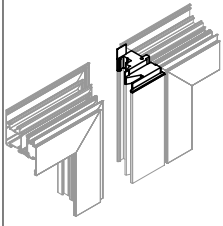
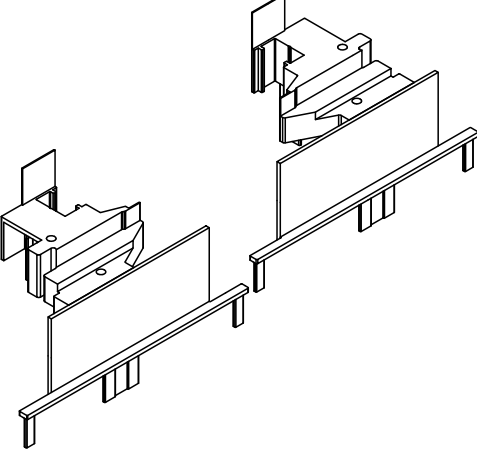
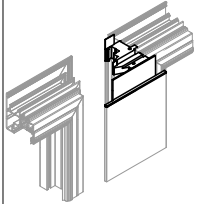
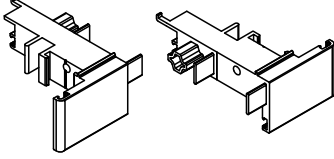
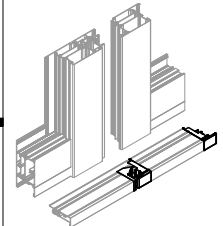
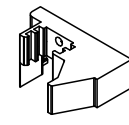
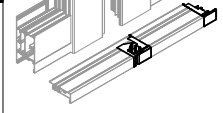
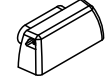
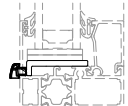
Profil değerleri teoriktir. Ağırlık olarak teslimde yapılan tartım geçerlidir. Profil imalatları TS EN 12020-2 ve TS EN 755-9 toleransı, Moment değerleri EN 14024'e göre hesaplanmıştır.
Profile values are theoretical pre-shipment weight will be valid. The tolerances of Profile manufacturing are calculated according to EN 12020-2 and TS EN 755-9; moment values are calculated according to EN 14024.

kod code	şekil drawing	tanım description	paket metraji in one package metre / package	kullanım yeri application
LS55617		köşe onbaşı corner cleat for sash	200 pcs/pk	
LS55618		köşe onbaşı corner cleat for sash	200 pcs/pk	
W55.610		cam destek pr. parçası glazing support	6,0 m 5 pcs/pk LS55603-1 100mm 50 pcs/pk	

W 55+

YALITIMLI PENCERE VE KAPI SİSTEMİ
INSULATED WINDOW AND DOOR SYSTEMS

ÜRÜN TEKNİK ÖZELLİKLERİ
PRODUCT'S TECHNICAL FEATURES

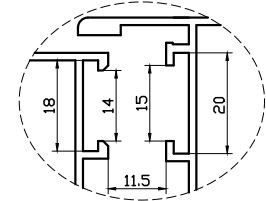
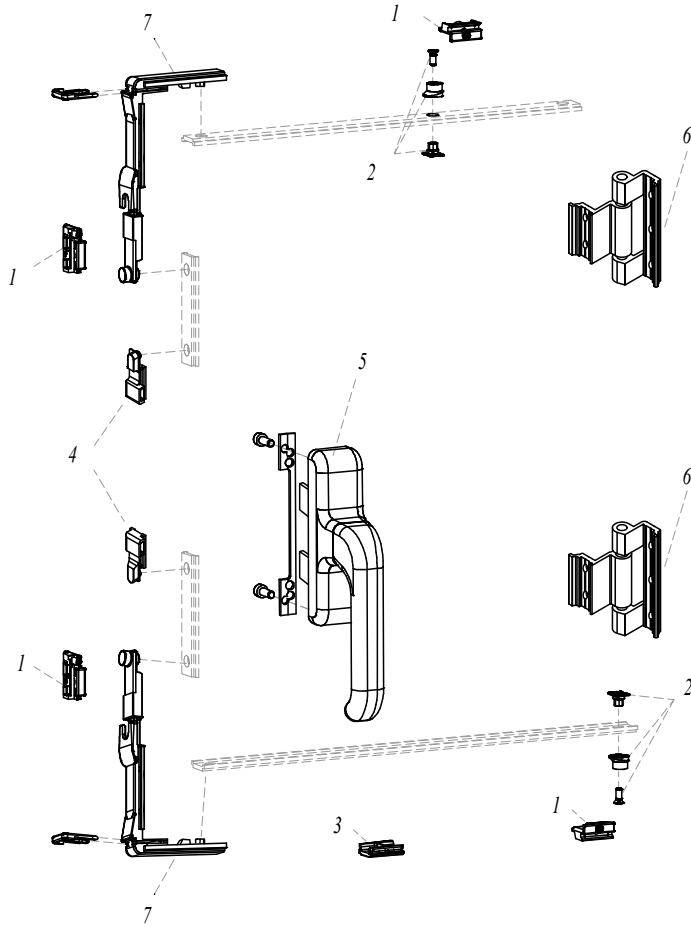
kod code	şekil drawing	tanım description	paket metrajı in one package metre / package	kullanım yeri application
W55.601		Pvc adaptör kapak (takım) PVC adapter cover (set)	20 pcs/pk	
W55.602		Pvc kanal adaptör kapağı (takım) PVC groove adapter cover (set)	20 pcs/pk	
W55.603		Pvc kanal gizli kanat adaptör kapağı (takım) PVC groove hidden vent adapter cover (set)	10 pcs/pk	
W55.604		Kapı altı adaptör kapağı Bottom door adapter cover	10 pcs/pk	
W55.605		Kapı altı adaptör kapağı Bottom door adapter cover	10 pcs/pk	
LS55614		su tahliye kapağı water drainage plug	200 pcs/pk	

Profil değerleri teoriktir. Ağırlık olarak teslimde yapılan tartım geçerlidir. Profil imalatları TS EN 12020-2 ve TS EN 755-9 toleransı, Moment değerleri EN 14024'e göre hesaplanmıştır.
Profile values are theoretical pre-shipment weight will be valid. The tolerances of Profile manufacturing are calculated according to EN 12020-2 and TS EN 755-9; moment values are calculated according to EN 14024.

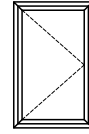
W 55+

YALITIMLI PENCERE VE KAPI SİSTEMİ
INSULATED WINDOW AND DOOR SYSTEMS

ÜRÜN TEKNİK ÖZELLİKLERİ
PRODUCT'S TECHNICAL FEATURES



euro groove section 1



içe açılan pencere
inside opening window

Normal açılım mekanizması (takım)
Opening window mechanism (set)

W55-701 naturel eloksalli (mat anodized)



Farklı renk seçeneği belirtilmelidir
By selecting different colors, it must be informed.

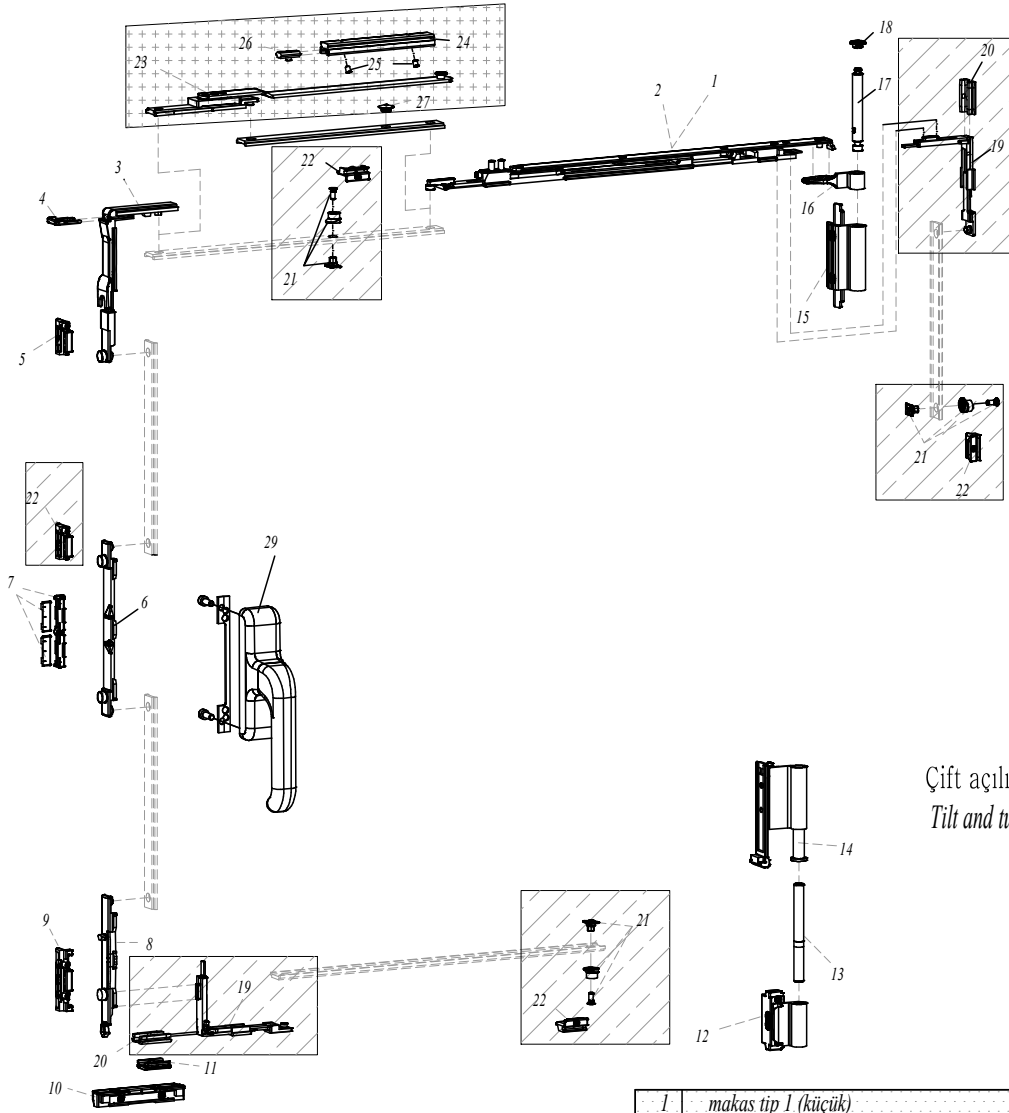
W55-701	1	Pim karşılığı	W55-731
	2	Ayarlı karşılık	W55-733
	3	Kanat sarkma takozu	W55-740
	4	Kol karşılığı	W55-732
	5	Çift dilli kol	W55-761
	6	Menteşe	W55-770
	7	Köşe dönme	W55-730

+
> 1200 x 1400 mm

W 55+

YALITIMLI PENCERE VE KAPI SİSTEMİ
INSULATED WINDOW AND DOOR SYSTEMS

ÜRÜN TEKNİK ÖZELLİKLERİ
PRODUCT'S TECHNICAL FEATURES



euro groove section I

içe açılan pencere
inside opening window

Çift açılım mekanizması (takım)
Tilt and turn window mechanism (set)

W55.702 (80kg)
naturel eloksalli (mat anodized)

W55.703 (130kg)
naturel eloksalli (mat anodized)



Farklı renk seçeneği belirtilmelidir
By selecting different colors, it must be informed.

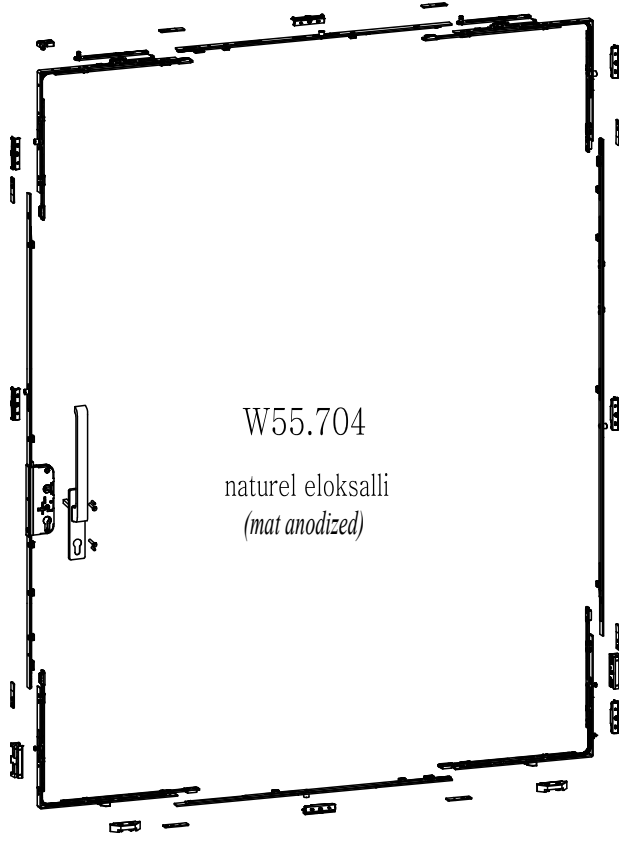
		(80 kg)	(130 kg)
1	makas tip 1 (küçük)	W55-738-80	W55-738-130
2	makas tip 2 (büyük)	W55-739-80	W55-739-130
3	köşe dönme		
4	köşe dönme sabitleme klipsi		
5	karşılık		
6	kol karşılığı		
7	hatalı kullanım öneme karşılığı	W55-722	W55-722
7	8-10mm ayar şimi		
8	sürgü		
9	karşılık		
10	çift sürgü karşılık		
11	dinlendirme takozu		
12	dip menteşe erkek kısmı		
13	dip menteşe pimi		
14	üst menteşe dişi kısmı	W55-721	W55-720
15	üst menteşe erkek kısmı		
16	üst menteşe dişi kısmı		
17	üst menteşe pimi		
18	üst menteşe stoper kapak		
29	euro 900 çift açılım kolu	W55-766	W55-766
		+	+
		> 80kg	> 130kg

İLAVE ARKA KİLİTLEME			
19	ilave köşe dönme		
20	ilave köşe dönme sabitleme klipsi		
21	kilitleme pimi	W55-723	W55-723
22	ayarlı karşılık		
23	ilave makas		
24	ilave makas kılavuzu		
25	klavüz vidaları		W55-735
26	ayarlı stoper		
27	makas destek bloğu		

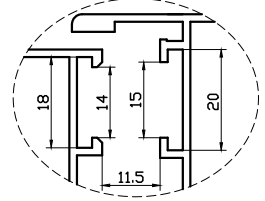
W 55+

YALITIMLI PENCERE VE KAPI SİSTEMİ
INSULATED WINDOW AND DOOR SYSTEMS

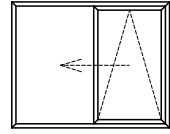
ÜRÜN TEKNİK ÖZELLİKLERİ
PRODUCT'S TECHNICAL FEATURES



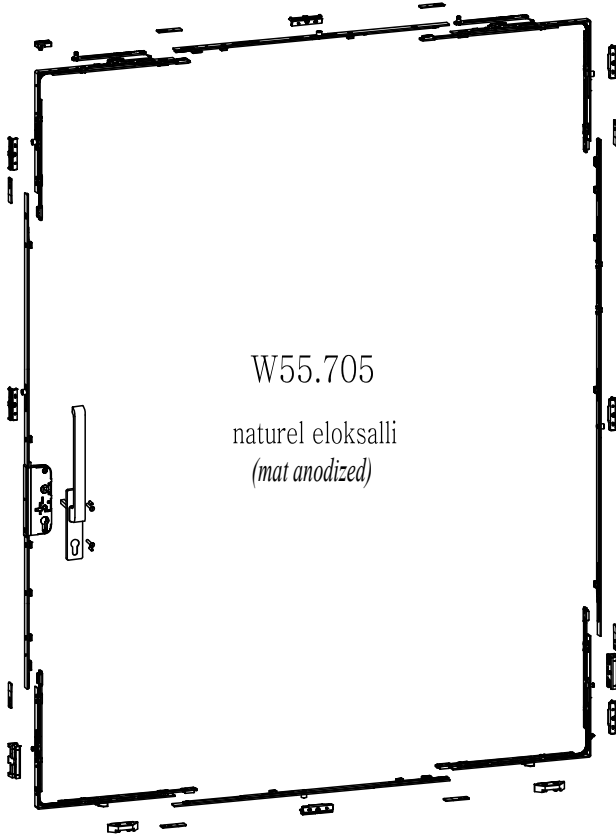
W55.704
naturel eloksalli
(mat anodized)



euro groove section 1



Wosvagen acılım mekanizması (takım)
Wosvagen opening window mechanism (set)



W55.705
naturel eloksalli
(mat anodized)

Wosvagen tam otomatik acılım mekanizması (takım)
Wosvagen opening window full automatic mechanism (set)

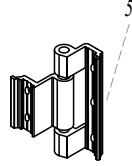
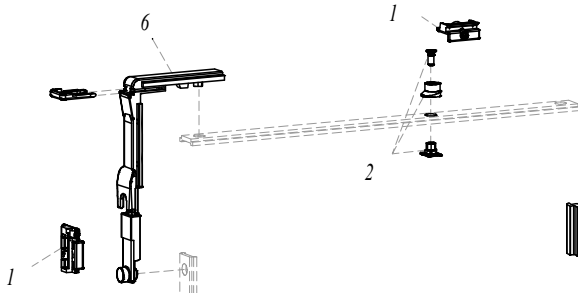


Farklı renk seçeneği belirtilmelidir
By selecting different colors, it must be informed.

W 55+

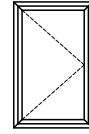
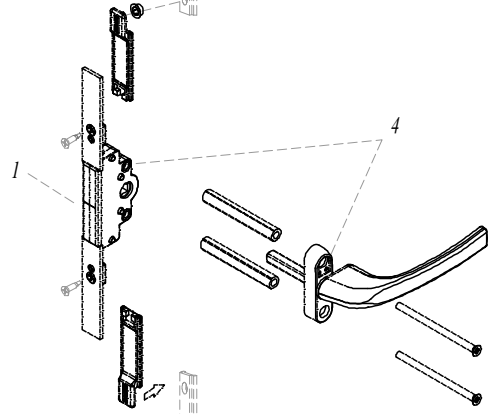
YALITIMLI PENCERE VE KAPI SİSTEMİ
INSULATED WINDOW AND DOOR SYSTEMS

ÜRÜN TEKNİK ÖZELLİKLERİ
PRODUCT'S TECHNICAL FEATURES

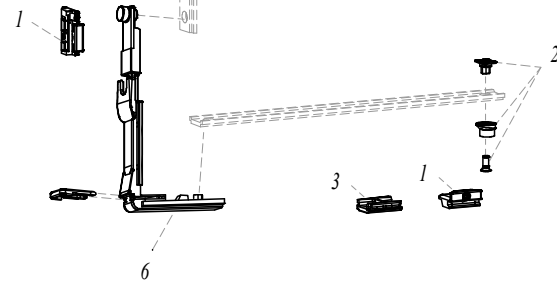


euro groove section 1

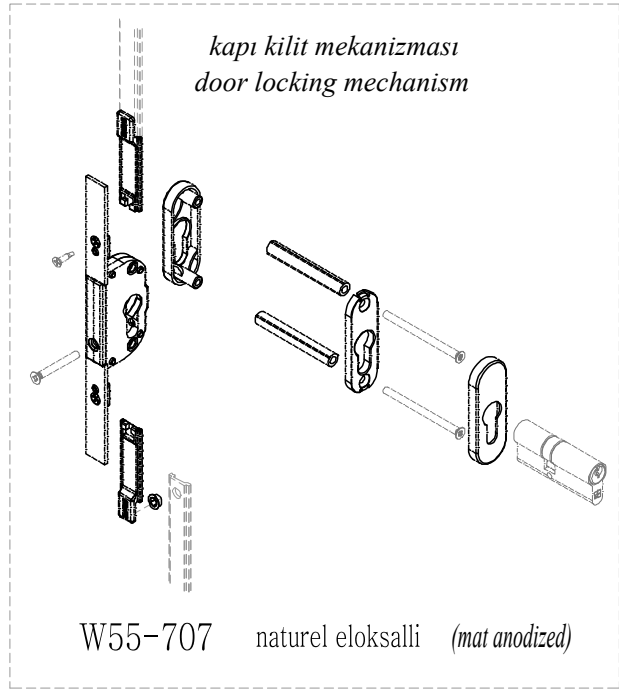
Normal açılım mekanizması (takım)
Opening window mechanism (set)



dışa açılan pencere
outward opening window



W55-706 naturel eloksalli (mat anodized)



W55-707 naturel eloksalli (mat anodized)



Farklı renk seçeneği belirtilmelidir
By selecting different colors, it must be informed.

W55-701	1	Pim karşılığı	W55-731
	2	Ayarlı karşılık	W55-733
	3	Kanat sarkma takozu	W55-740
	4	Mekanizma+kol	W55-748
	5	Menteşe	W55-770
	6	Köşe dönme	W55-730

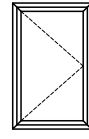
W 55+

YALITIMLI PENCERE VE KAPI SİSTEMİ
INSULATED WINDOW AND DOOR SYSTEMS

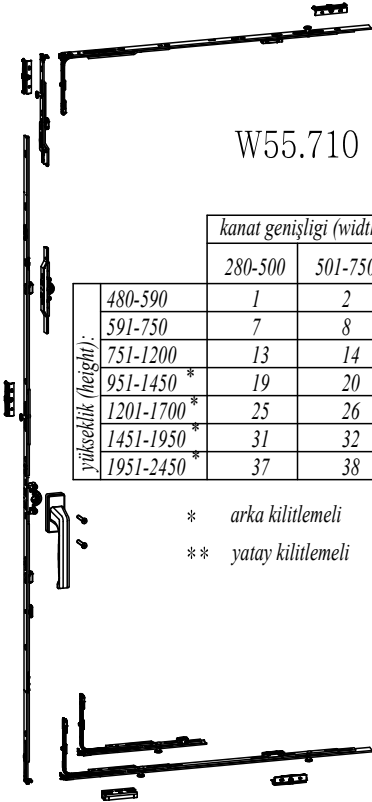
ÜRÜN TEKNİK ÖZELLİKLERİ
PRODUCT'S TECHNICAL FEATURES

Locking mechanism UNI-JET C and D - Side hung fittings - 1 sash
Fixed gear position, groove position 9mm

Normal açılım PVC mekanizması (takım)
PVC classic opening window mechanism (set)



W55.710 naturel eloksalli (mat anodized)



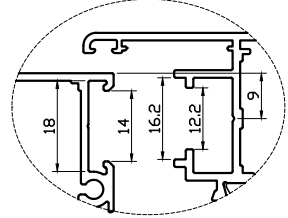
		kanat genişliği (width):					
		280-500	501-750	701-1000	1001-1200**	1201-1450**	1451-1600**
yükseklik (height):	480-590	1	2	3	4	5	6
	591-750	7	8	9	10	11	12
	751-1200	13	14	15	16	17	18
	951-1450*	19	20	21	22	23	24
	1201-1700*	25	26	27	28	29	30
	1451-1950*	31	32	33	34	35	36
	1951-2450*	37	38	39	40	41	

* arka kilitlemeli
** yatay kilitlemeli



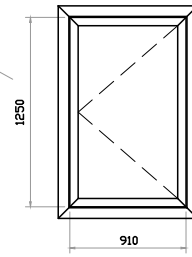
Farklı renk seçeneği belirtilmelidir
By selecting different colors, it must be informed.

Basic security



pvc groove section 9mm
içe açılan pencere
inside opening window

Example

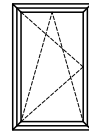


sipariş kodu
order code

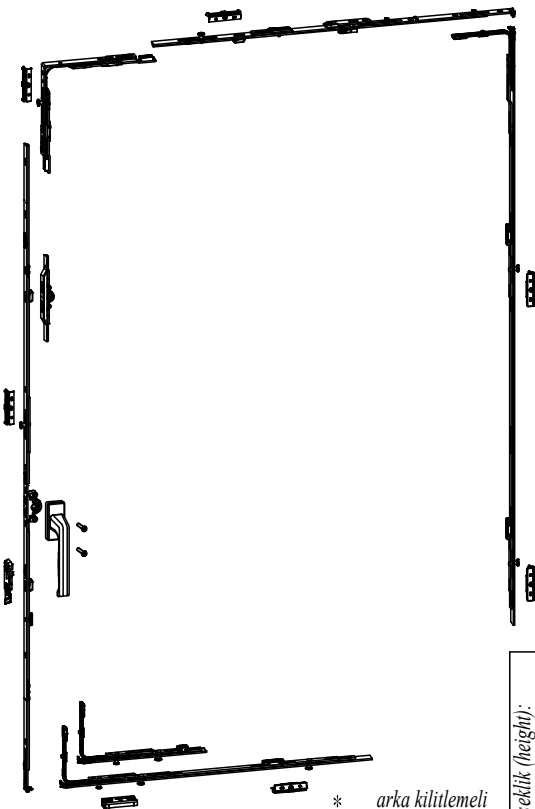
W55.710-27

Locking mechanism UNI-JET C and D - Side hung fittings - 1 sash
Fixed gear position, groove position 9mm

Çift açılım PVC mekanizması (takım)
PVC tilt and turn window mechanism (set)

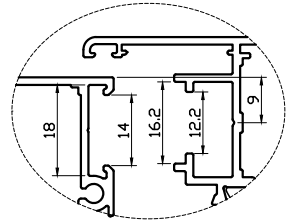


W55.711 naturel eloksalli
(mat anodized)



Farklı renk seçeneği belirtilmelidir
By selecting different colors, it must be informed.

içe açılan pencere
inside opening window



pvc groove section 9mm

		kanat genişliği (width):					
		280-500	501-750	701-1000	1001-1200**	1201-1450**	1451-1600**
yükseklik (height):	480-590	1	2	3	4	5	6
	591-750	7	8	9	10	11	12
	751-1200	13	14	15	16	17	18
	951-1450*	19	20	21	22	23	24
	1201-1700*	25	26	27	28	29	30
	1451-1950*	31	32	33	34	35	36
	1951-2450*	37	38	39	40	41	

* arka kilitlemeli
** yatay kilitlemeli

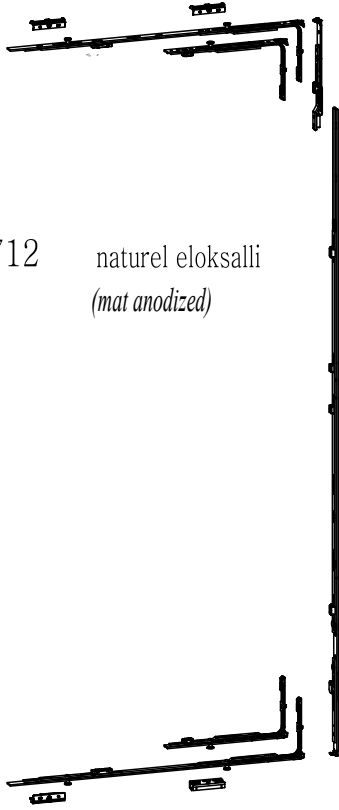
W 55+

YALITIMLI PENCERE VE KAPI SİSTEMİ
INSULATED WINDOW AND DOOR SYSTEMS

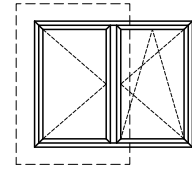
ÜRÜN TEKNİK ÖZELLİKLERİ
PRODUCT'S TECHNICAL FEATURES

Locking mechanism UNI-JET C and D Inactive sash fittings ZH
Fixed gear position, groove position 9mm

W55.712 naturel eloksalli
(mat anodized)

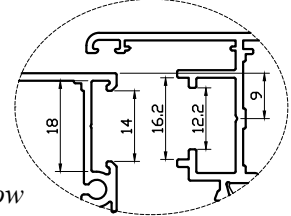


Normal açılım PVC mekanizması (takım)
PVC opening window mechanism (set)



Basic security

içe açılan pencere
inside opening window



pvc groove section 9mm

	kanat genişliği (width):						
	280-500	501-750	701-1000	1001-1200**	1201-1450**	1451-1600**	
yükseklik (height):	480-590	591-750	751-1200	951-1450*	1201-1700*	1451-1950*	1951-2450*
	1	2	3	4	5	6	
	7	8	9	10	11	12	
	13	14	15	16	17	18	
	19	20	21	22	23	24	
	25	26	27	28	29	30	
	31	32	33	34	35	36	
	37	38	39	40	41		

* arka kilitlemeli

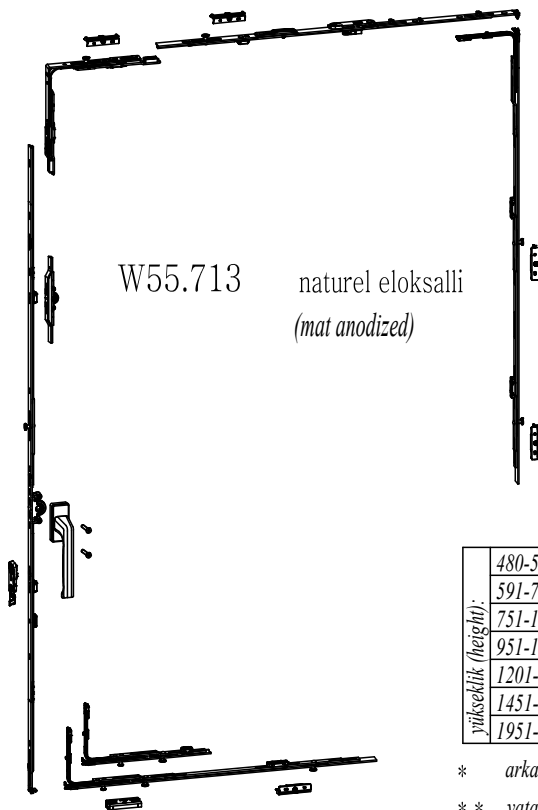
** yatay kilitlemeli



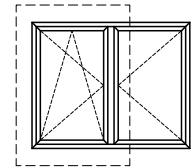
Farklı renk seçeneği belirtilmelidir
By selecting different colors, it must be informed.

Locking mechanism UNI-JET C and D - Tilt-turn fittings - 2 sashes
Fixed gear position, groove position 9mm

W55.713 naturel eloksalli
(mat anodized)



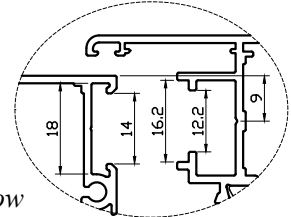
Çift açılım PVC mekanizması (takım)
PVC tilt and turn window mechanism (set)



içe açılan pencere
inside opening window

Basic security

içe açılan pencere
inside opening window



pvc groove section 9mm

	kanat genişliği (width):						
	280-500	501-750	701-1000	1001-1200**	1201-1450**	1451-1600**	
yükseklik (height):	480-590	591-750	751-1200	951-1450*	1201-1700*	1451-1950*	1951-2450*
	1	2	3	4	5	6	
	7	8	9	10	11	12	
	13	14	15	16	17	18	
	19	20	21	22	23	24	
	25	26	27	28	29	30	
	31	32	33	34	35	36	
	37	38	39	40	41		

* arka kilitlemeli

** yatay kilitlemeli

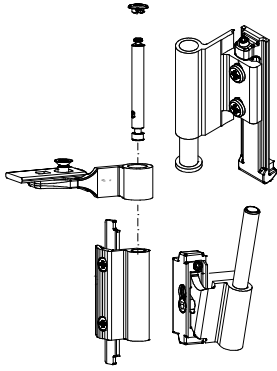


Farklı renk seçeneği belirtilmelidir
By selecting different colors, it must be informed.

W 55+

YALITIMLI PENCERE VE KAPI SİSTEMİ
INSULATED WINDOW AND DOOR SYSTEMS

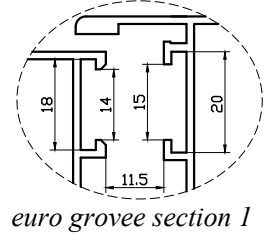
ÜRÜN TEKNİK ÖZELLİKLERİ
PRODUCT'S TECHNICAL FEATURES



Çift açılım pencere üst menteşesi (130kg)
Tilt and turn window top hinge (130kg)

W55.720

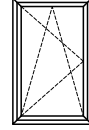
naturel eloksalli
(mat anodized)



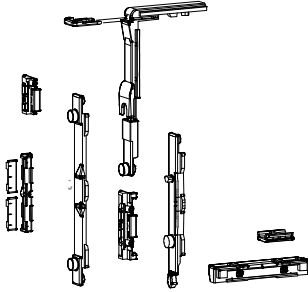
euro groove section 1

Çift açılım pencere üst menteşesi (80kg)
Tilt and turn window top hinge (80kg)

W55.721

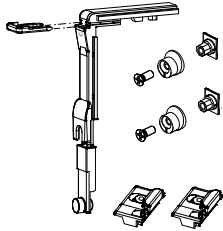


Farklı renk seçeneği belirtilmelidir
By selecting different colors, it must be informed.



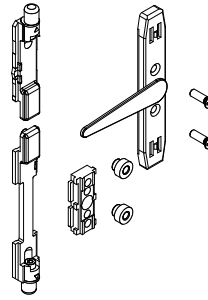
Çift açılım kilitleme mekanizması
Tilt and turn base mechanism

W55.722



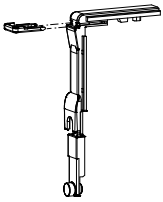
Çift açılım ilave kilitleme
Tilt and turn annex set

W55.723



İkinci kanat sürgü seti
Two-way lever push bolt

W55.724



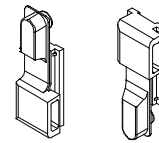
Köşe hareket aktarıcı
Corner transmission for window

W55.730



Pim karşılığı
Adjustable single striker

W55.731



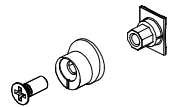
Tij bağlantı pabucu
Connection blocks

W55.732



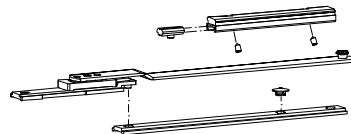
Pim
Pin

W55.733



Ayarlanabilir pim
Adjustable fastening pawl

W55.734



Çift açılım ilave makas
Tilt and turn annex arm

W55.735



Kol karşılığı
Cremone drive

W55.736



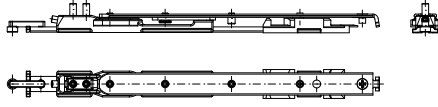
Sürgü ucu
Bolt tip

W55.737

W 55+

YALITIMLI PENCERE VE KAPI SİSTEMİ
INSULATED WINDOW AND DOOR SYSTEMS

ÜRÜN TEKNİK ÖZELLİKLERİ
PRODUCT'S TECHNICAL FEATURES

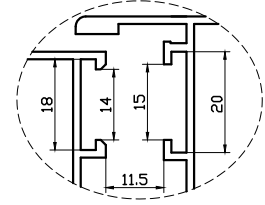


Çift açılım küçük makas (80kg)
Tilt and turn short arm (80kg)

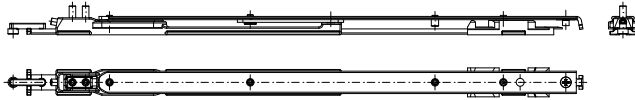
W55.738-80

Çift açılım küçük makas (130kg)
Tilt and turn short arm (130kg)

W55.738-130



euro groove section 1

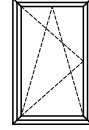


Çift açılım büyük makas (80kg)
Tilt and turn long arm (80kg)

W55.739-80

Çift açılım büyük makas (130kg)
Tilt and turn long arm (130kg)

W55.739-130



Kanat sarkma takozu
Wing rise stopper

W55.740



Çiftli sürgü karşılığı
Double keeper

W55.741



Kanat düşüş karşılığı
Wing drop keeper

W55.742



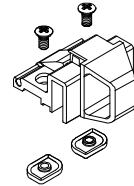
Kademeli teleskopik makas (inox)
Telescopic laser unit

W55.743



Limiitleme makası
Window stay

W55.744



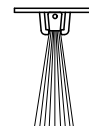
Vasistas cıt cıt
Cico finger catch

W55.745



Kapı sürgüsü
Door lever bolt

W55.746



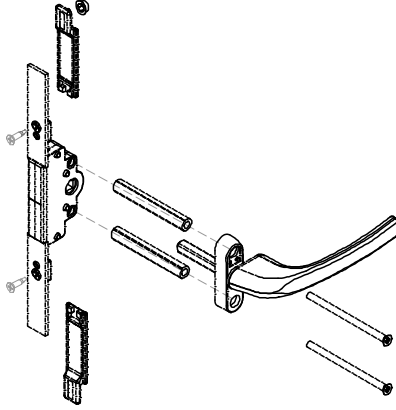
Kapı altı fırçası
Door brush

W55.747

W 55+

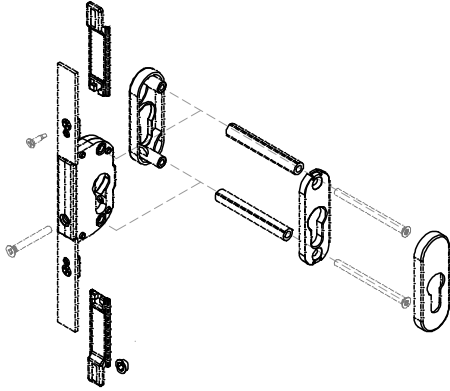
YALITIMLI PENCERE VE KAPI SİSTEMİ
INSULATED WINDOW AND DOOR SYSTEMS

ÜRÜN TEKNİK ÖZELLİKLERİ
PRODUCT'S TECHNICAL FEATURES



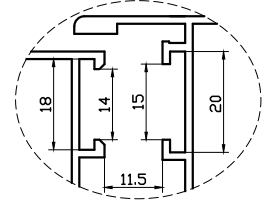
Dışa açılan pencere-kapı mekanizması
Outward opening window-door mechanism

W55.748

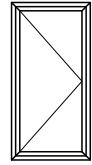
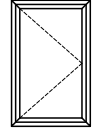


Dışa açılan kapı kilit mekanizması
Outward opening door locking mechanism

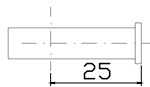
W55.749



euro groove section 1

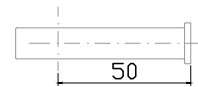
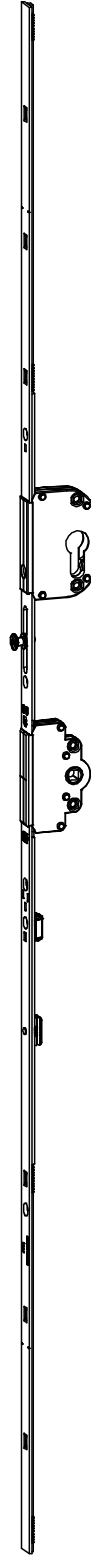


dışa açılan pencere-kapı
outward opening window-door



Dışa açılan kapı mekanizması
Outward opening door mechanism

W55.751



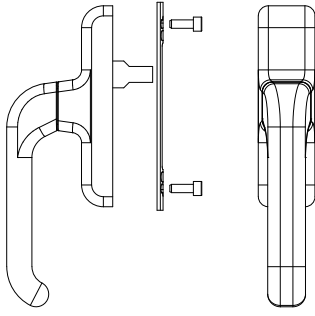
Dışa açılan kapı mekanizması
Outward opening door mechanism

W55.750

W 55+

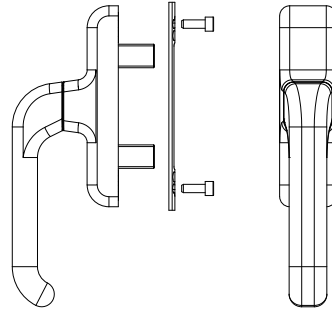
YALITIMLI PENCERE VE KAPI SİSTEMİ
INSULATED WINDOW AND DOOR SYSTEMS

ÜRÜN TEKNİK ÖZELLİKLERİ
PRODUCT'S TECHNICAL FEATURES



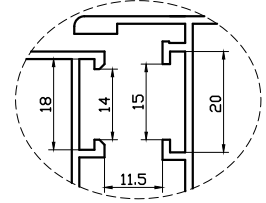
Tek maçalı normal açılım pencere kolu
Opening window handle

W55.760

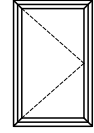


Çift maçalı normal açılım pencere kolu
Opening window handle

W55.761



euro groove section 1



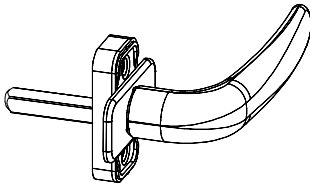
Anahtarlı eksenel kol
Key lockable window handle

W55.762



Sökülebilir kol gövde
Opening window removing handle

W55.763



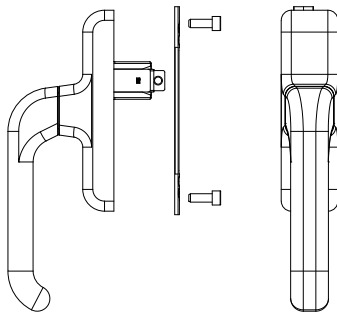
Prima kapı kolu
Prima handle

W55.764



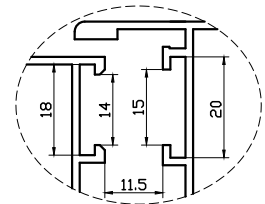
Prima ikili kapı kolu
Prima handle couple

W55.765

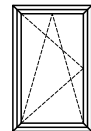


Çift açılım pencere kolu
Tilt and turn opening window handle

W55.766



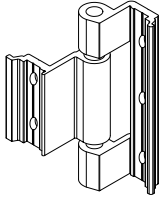
euro groove section 1



W 55+

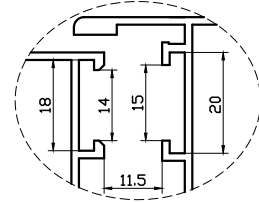
YALITIMLI PENCERE VE KAPI SİSTEMİ
INSULATED WINDOW AND DOOR SYSTEMS

ÜRÜN TEKNİK ÖZELLİKLERİ
PRODUCT'S TECHNICAL FEATURES

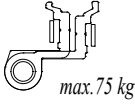


Üç yapraklı pencere menteşesi
Three leaves window hinge

W55.770 naturel eloksalı
(mat anodized)



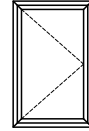
euro groove section 1



max. 75 kg



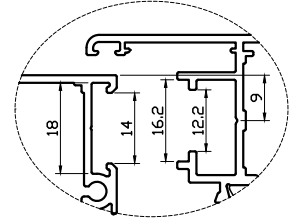
Farklı renk seçeneği belirtilmelidir
By selecting different colors, it must be informed.



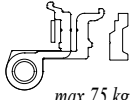
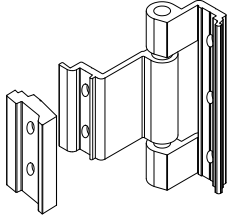
Üç yapraklı normal açılım pvc pencere menteşesi

Three leaves PVC window hinge

W55.771 naturel eloksalı
(mat anodized)



pvc groove section 9mm

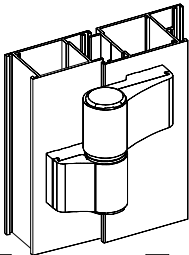


max. 75 kg



Farklı renk seçeneği belirtilmelidir
By selecting different colors, it must be informed.

*içe açılan pencere
inside opening window*



İki yapraklı kademeli kapı menteşesi
Two-leaf cascade hinges for door

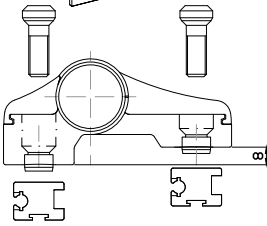
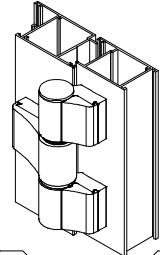
W55.772

naturel eloksalı
(mat anodized)

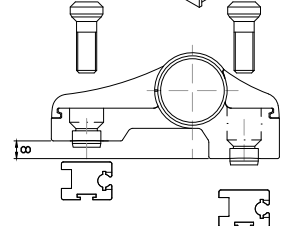
Üç yapraklı kademeli kapı menteşesi
Three-leaf cascade hinges for door

W55.773

naturel eloksalı
(mat anodized)



*pvc groove section 9mm
euro groove section 1*



Farklı renk seçeneği belirtilmelidir
By selecting different colors, it must be informed.

İki yapraklı kapı menteşesi (XL)
Two-leaf hinges for door (XL)



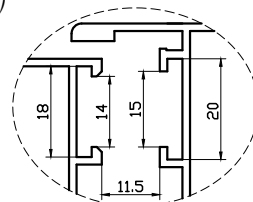
W55.774

naturel eloksalı
(mat anodized)

Üç yapraklı kapı menteşesi (XXL)
Three-leaf hinges for door (XXL)

W55.775

naturel eloksalı
(mat anodized)



euro groove section 1

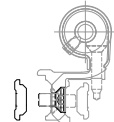


max. 100 kg



Farklı renk seçeneği belirtilmelidir
By selecting different colors, it must be informed.

max. 160 kg



W 55+

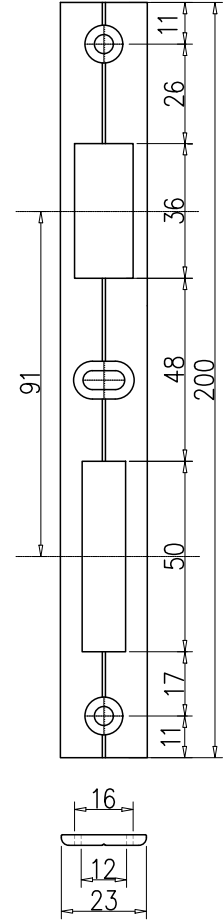
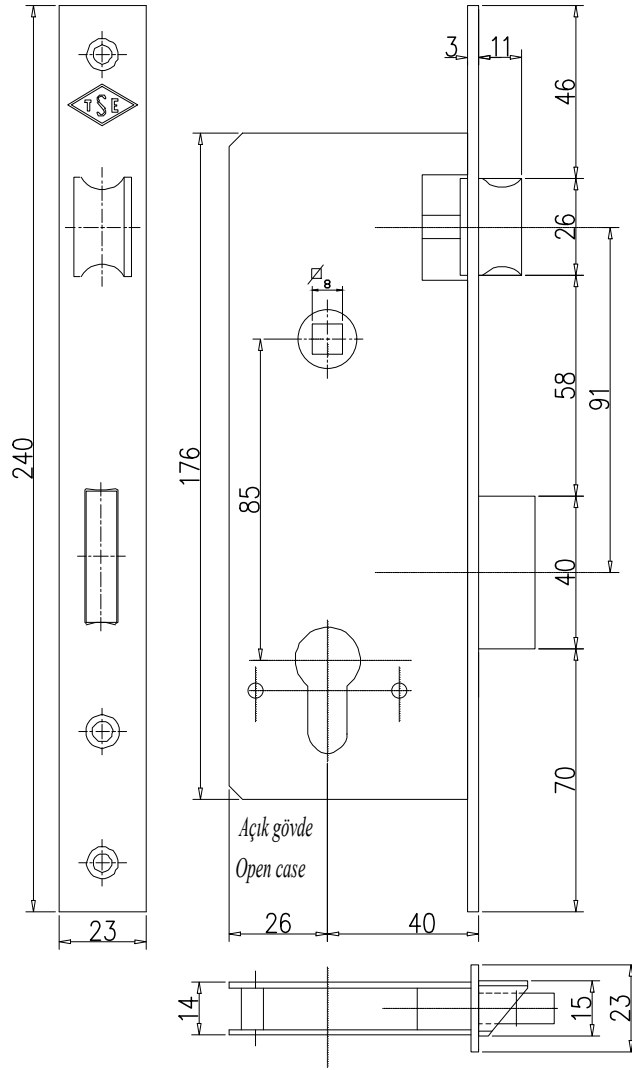
YALITIMLI PENCERE VE KAPI SİSTEMİ
INSULATED WINDOW AND DOOR SYSTEMS

ÜRÜN TEKNİK ÖZELLİKLERİ
PRODUCT'S TECHNICAL FEATURES



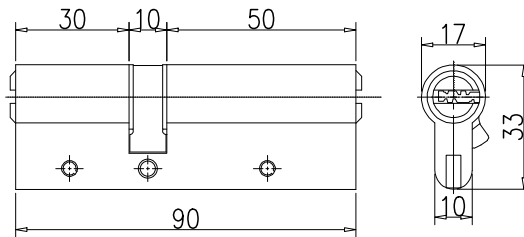
W55.780

Geniş kilit(dilli)
Wide type lock (bolt)



W55.781

Kilit karşılığı
Lock plate



W55.782

Barel
Cylinders



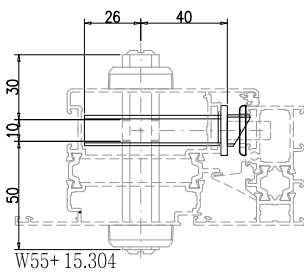
W55.783

naturel eloksalli
(mat anodized)

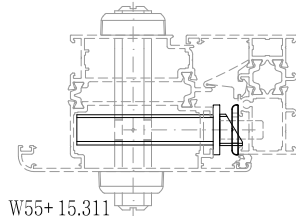
Barel rozeti
Cylinder cover



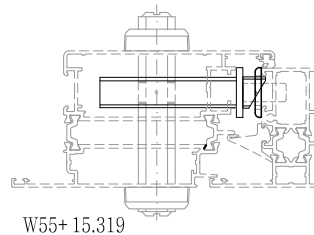
Farklı renk seçeneği belirtilmelidir
By selecting different colors, it must be informed.



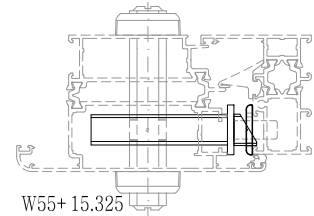
W55+ 15.304



W55+ 15.311

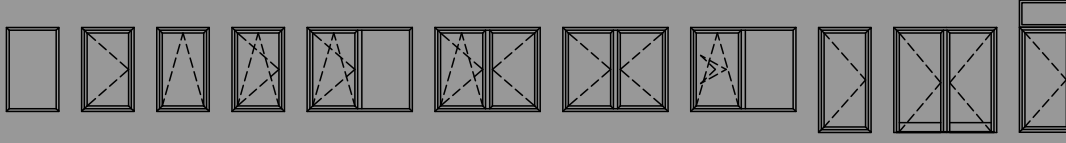


W55+ 15.319

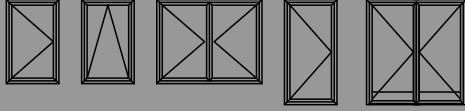


W55+ 15.325

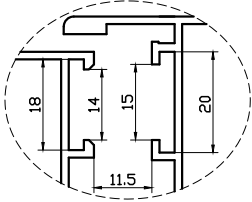
W 55 YALITIMLI PENCERE VE KAPI SİSTEMİ INSULATED WINDOW AND DOOR SYSTEMS



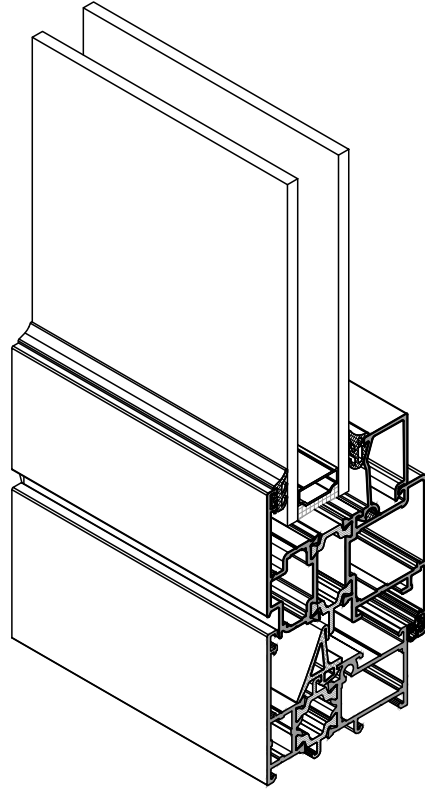
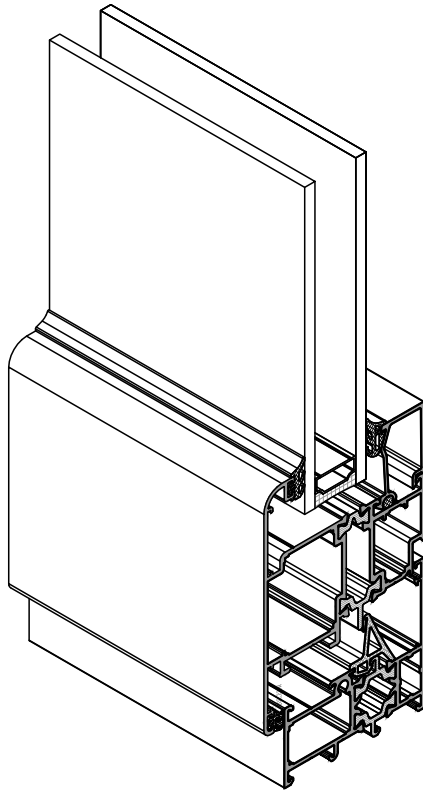
*içe açılan pencere
inside opening window*



*dışa açılan pencere
outward opening window*

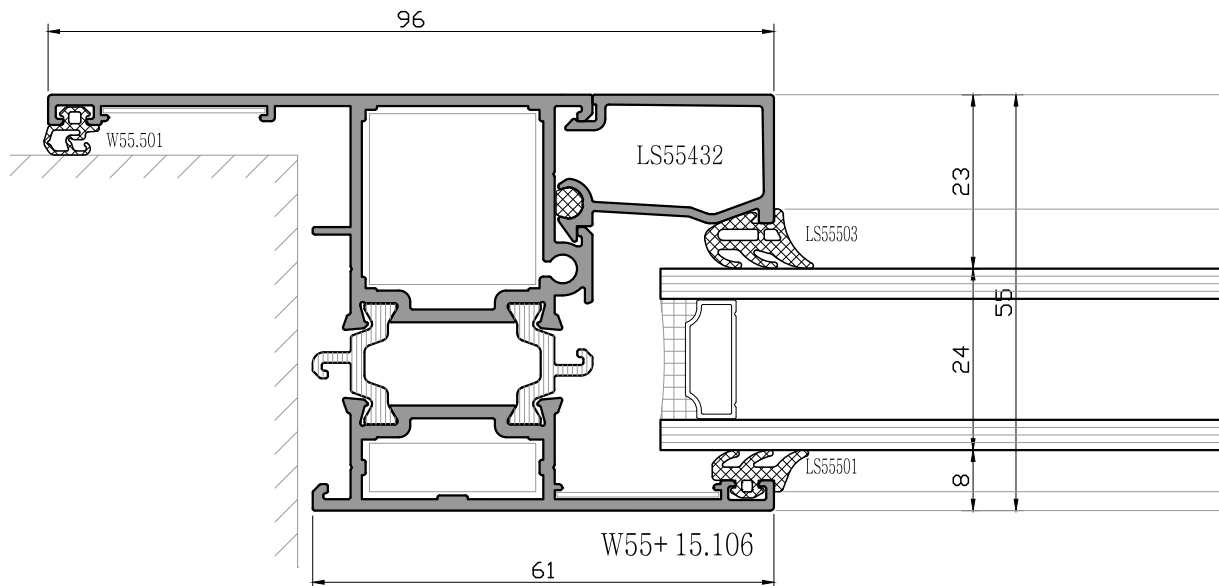
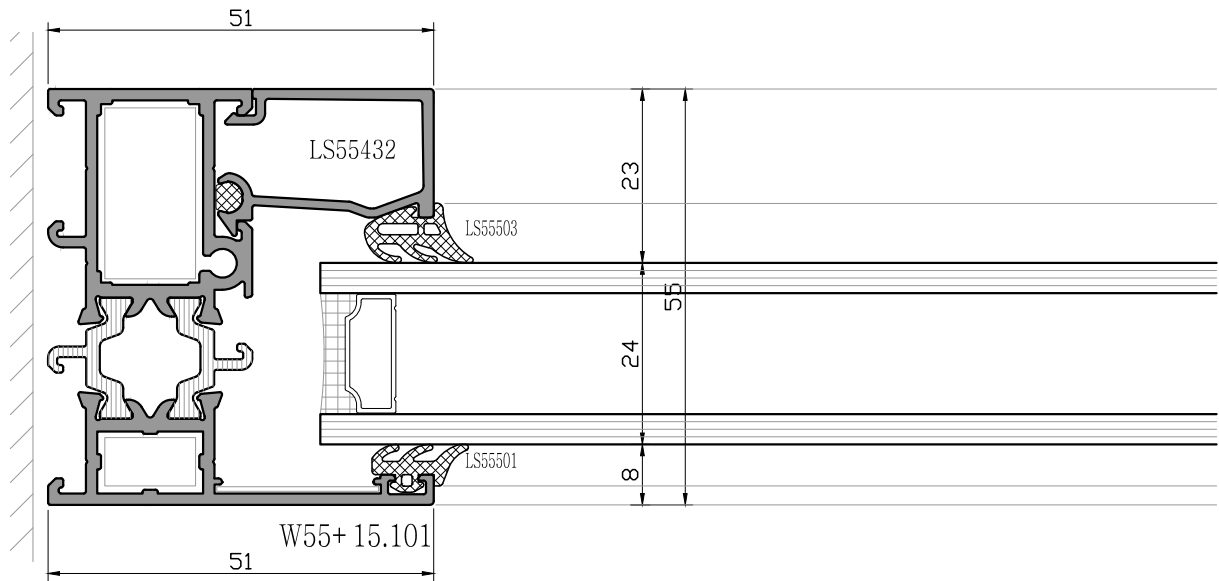
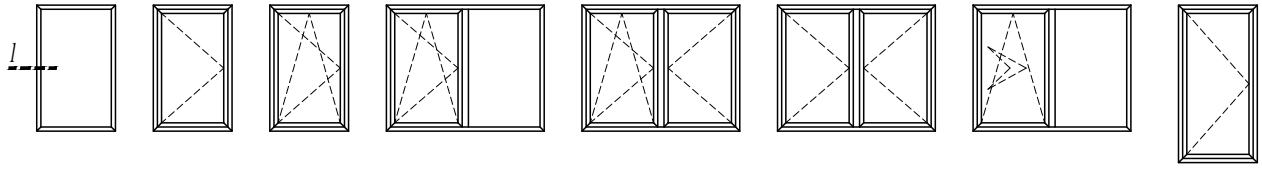


euro groove section 1



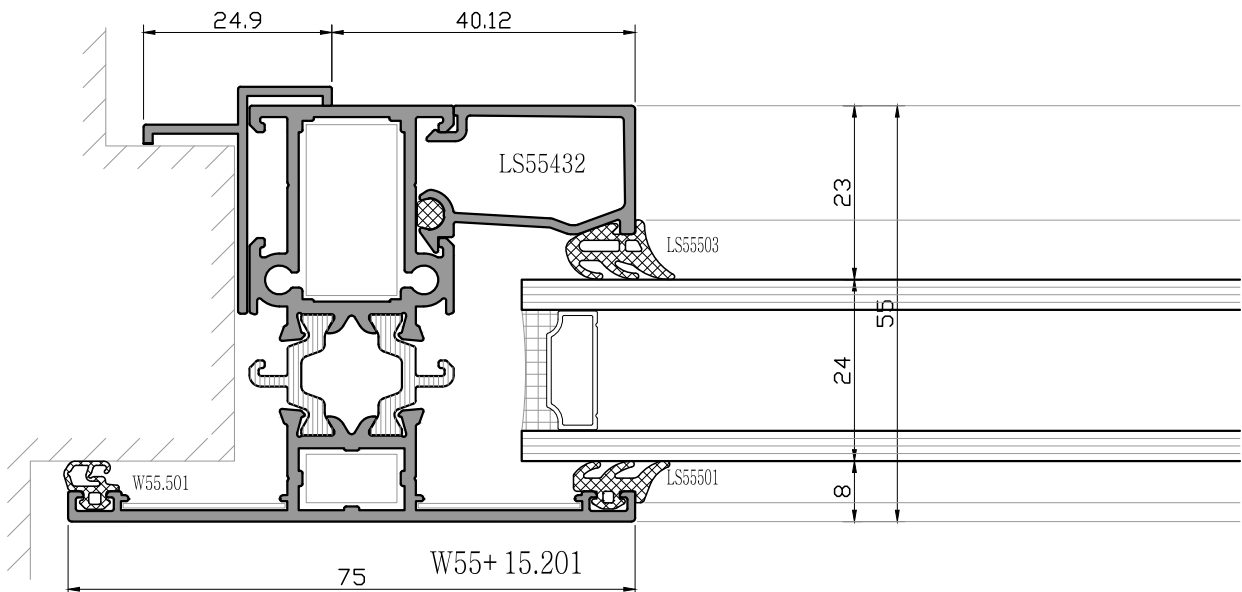
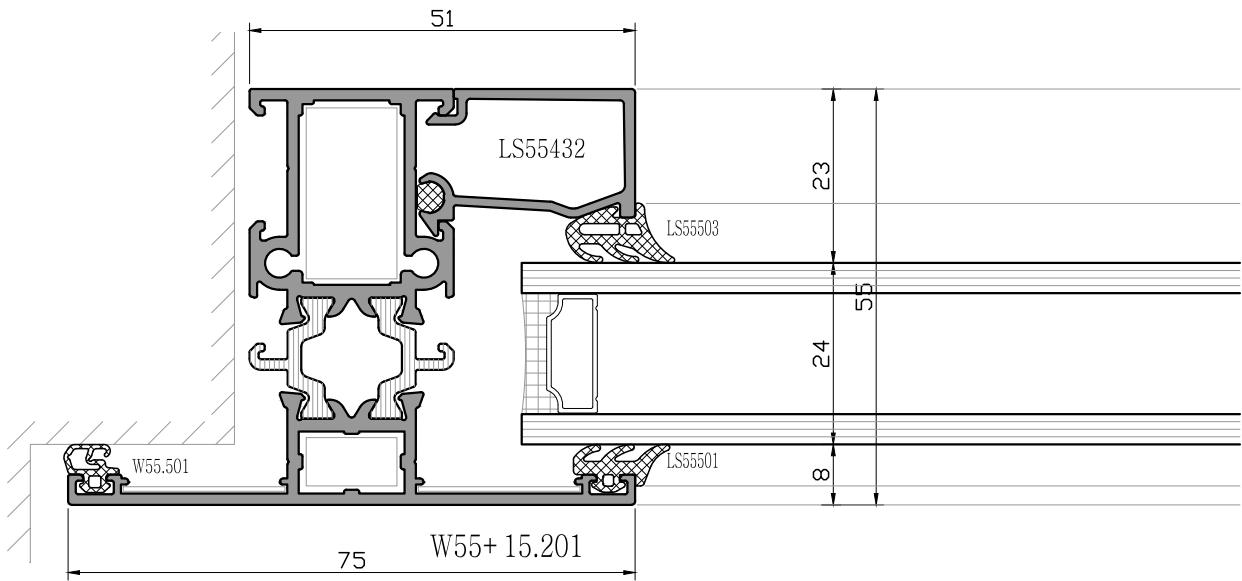
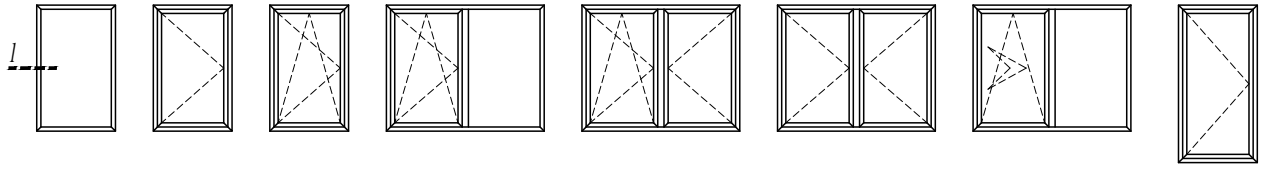
W 55+ YALITIMLI PENCERE VE KAPI SİSTEMİ INSULATED WINDOW AND DOOR SYSTEMS

SİSTEM DETAYLARI
SYSTEM DETAILS



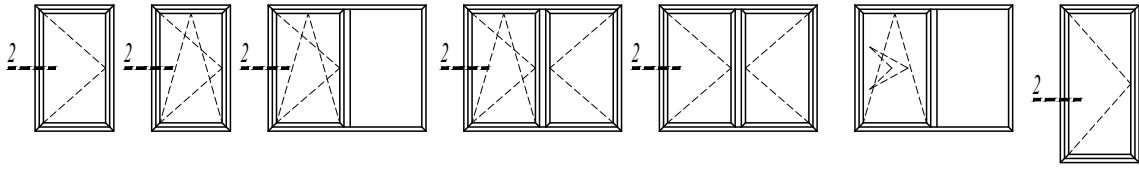
W 55+ YALITIMLI PENCERE VE KAPI SİSTEMİ INSULATED WINDOW AND DOOR SYSTEMS

SİSTEM DETAYLARI
SYSTEM DETAILS

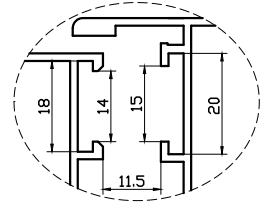


W 55+ YALITIMLI PENCERE VE KAPI SİSTEMİ INSULATED WINDOW AND DOOR SYSTEMS

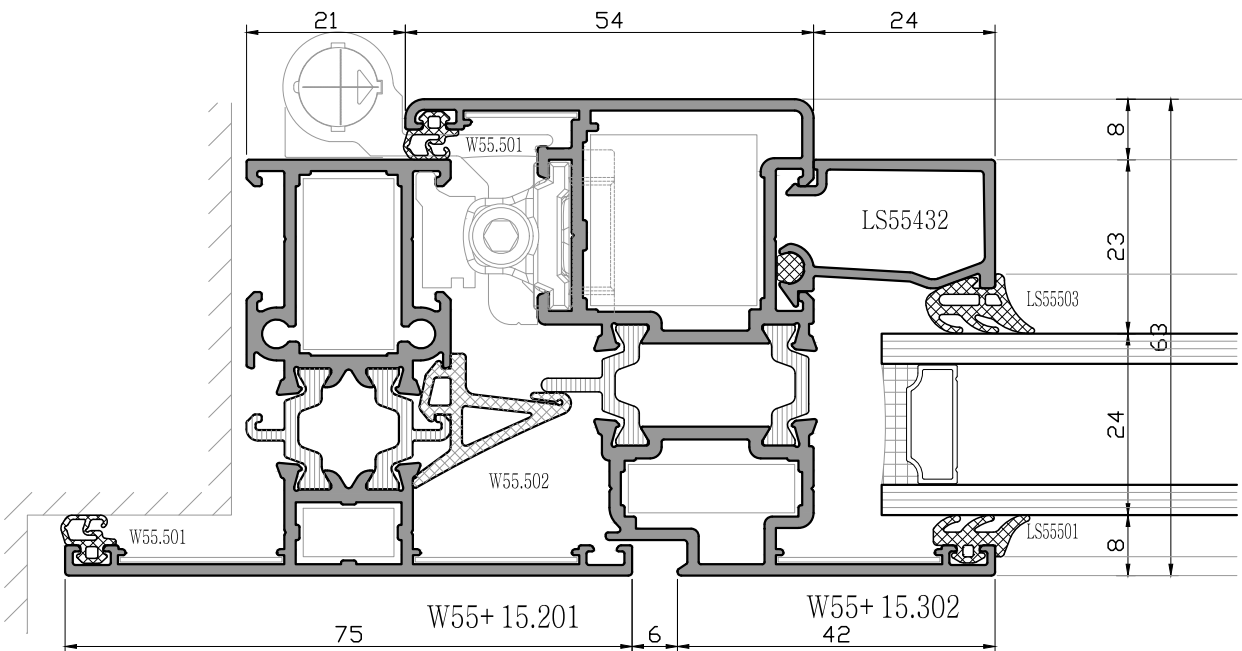
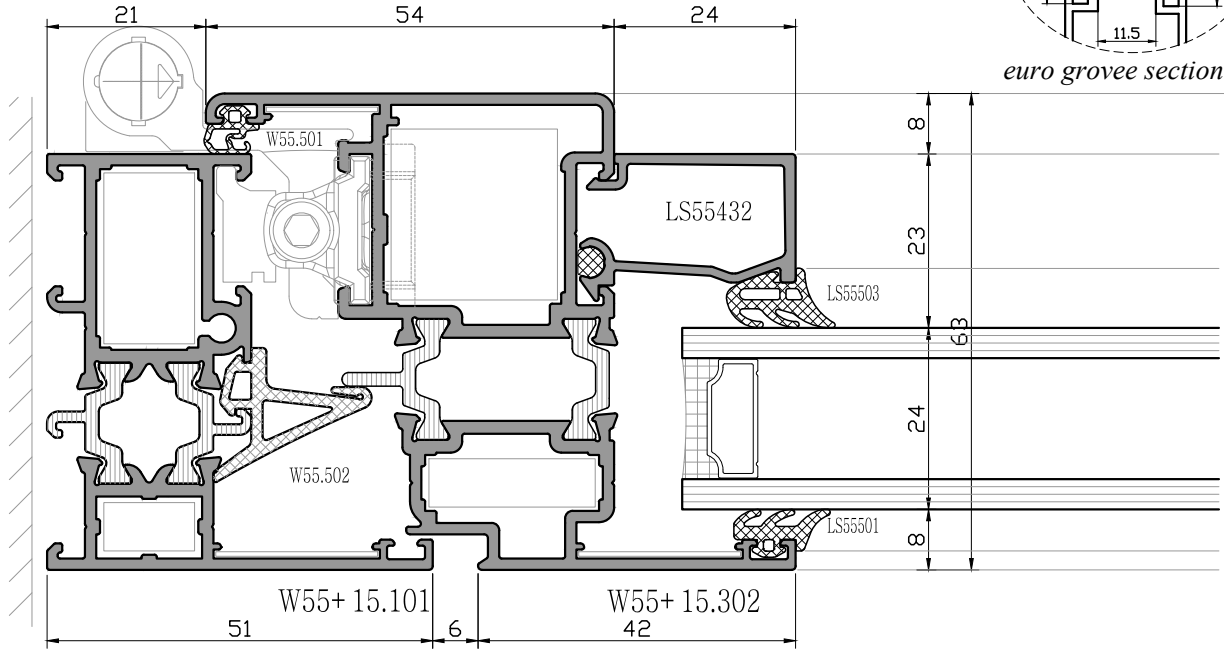
SİSTEM DETAYLARI
SYSTEM DETAILS



içe açılan pencere
inside opening window

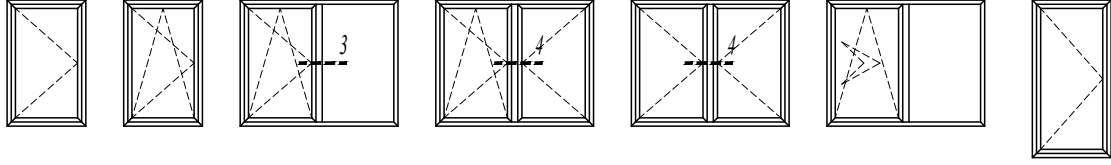


euro groove section 1

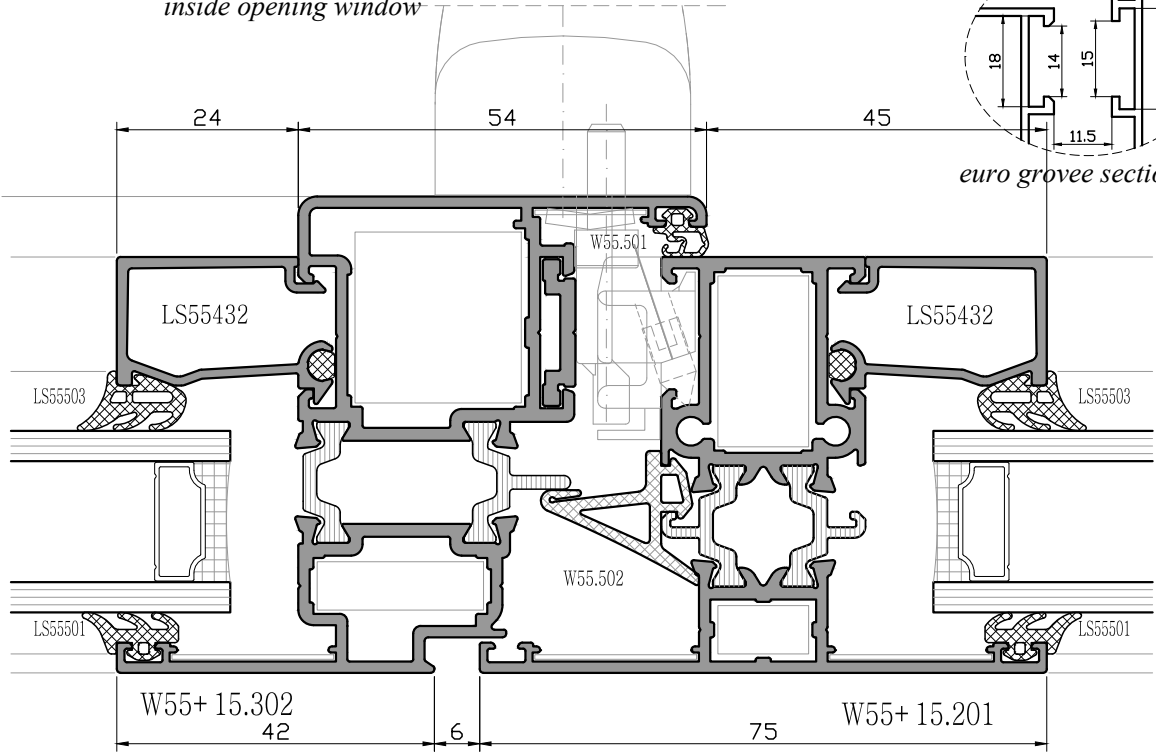


W 55+ YALITIMLI PENCERE VE KAPI SİSTEMİ INSULATED WINDOW AND DOOR SYSTEMS

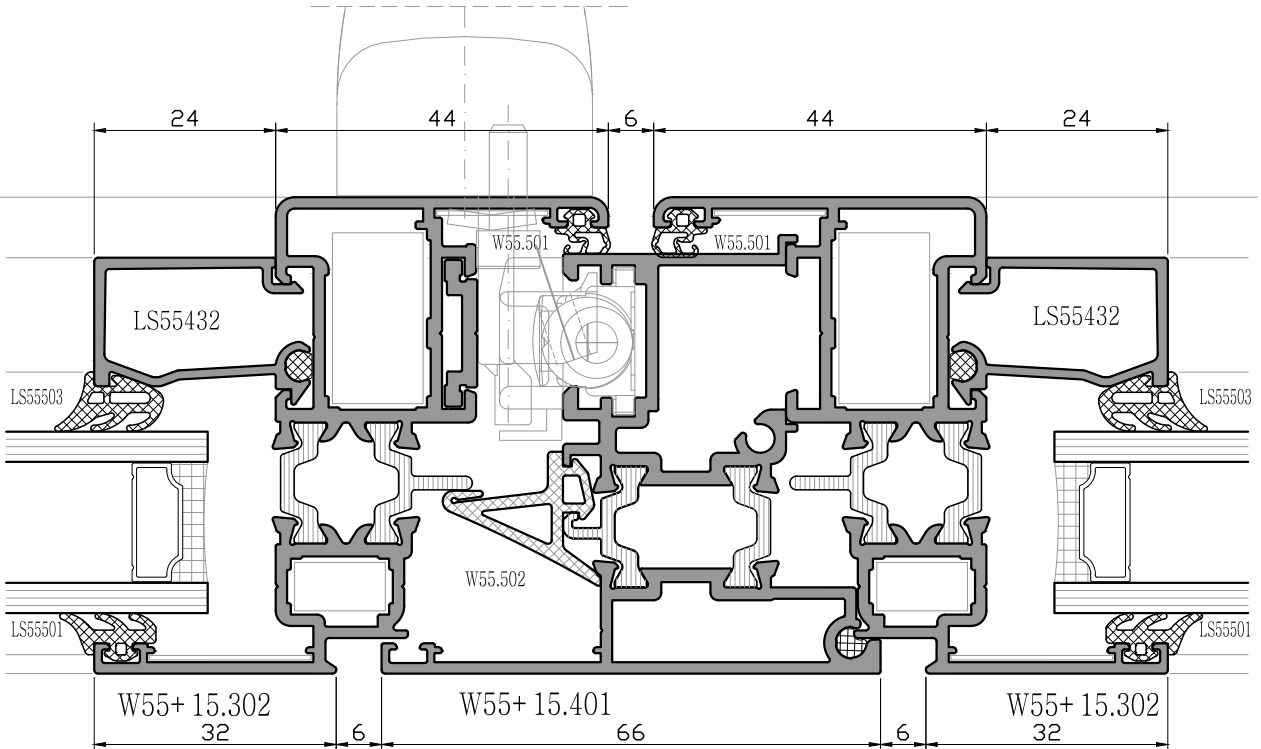
SİSTEM DETAYLARI
SYSTEM DETAILS



içe açılan pencere
inside opening window

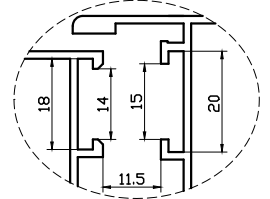
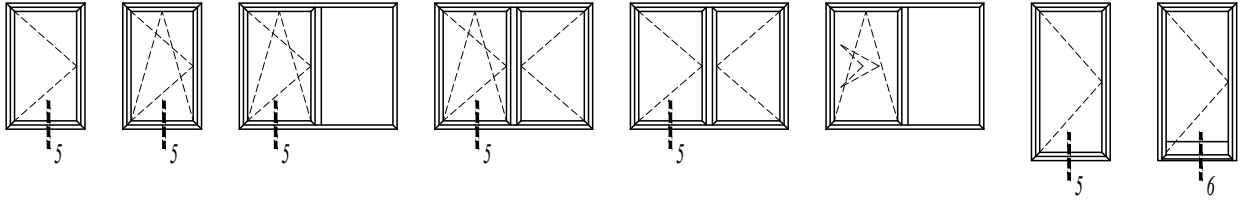


euro groove section 1

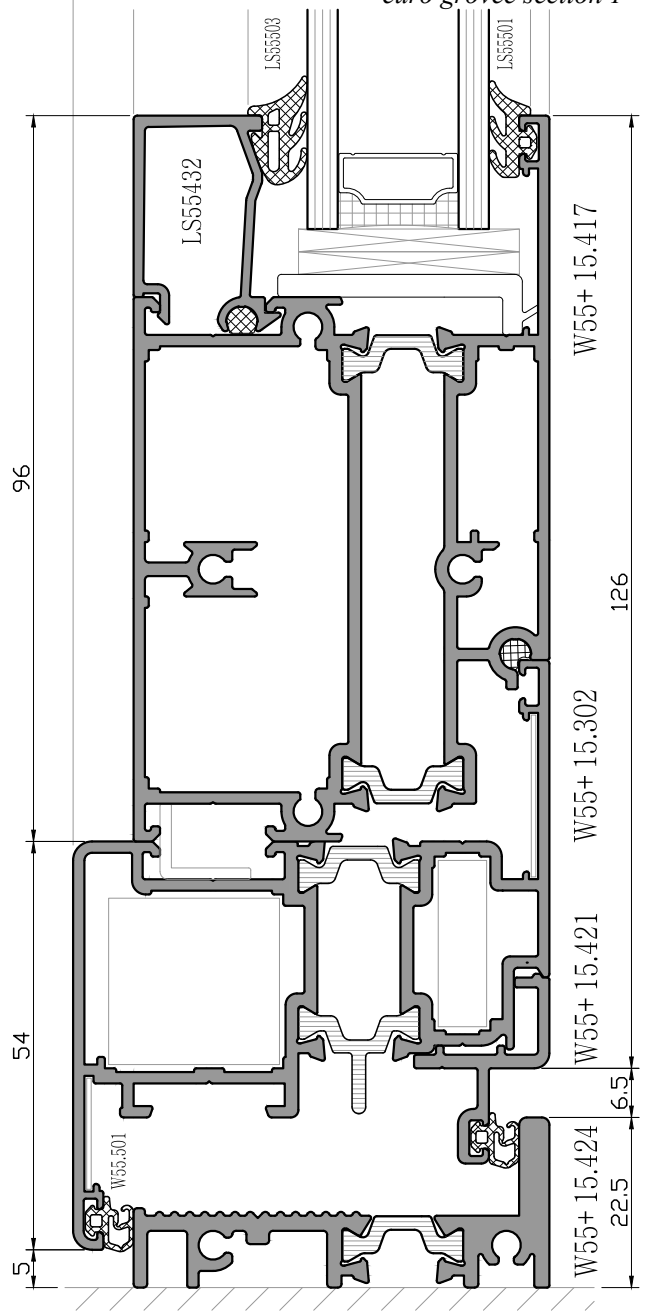
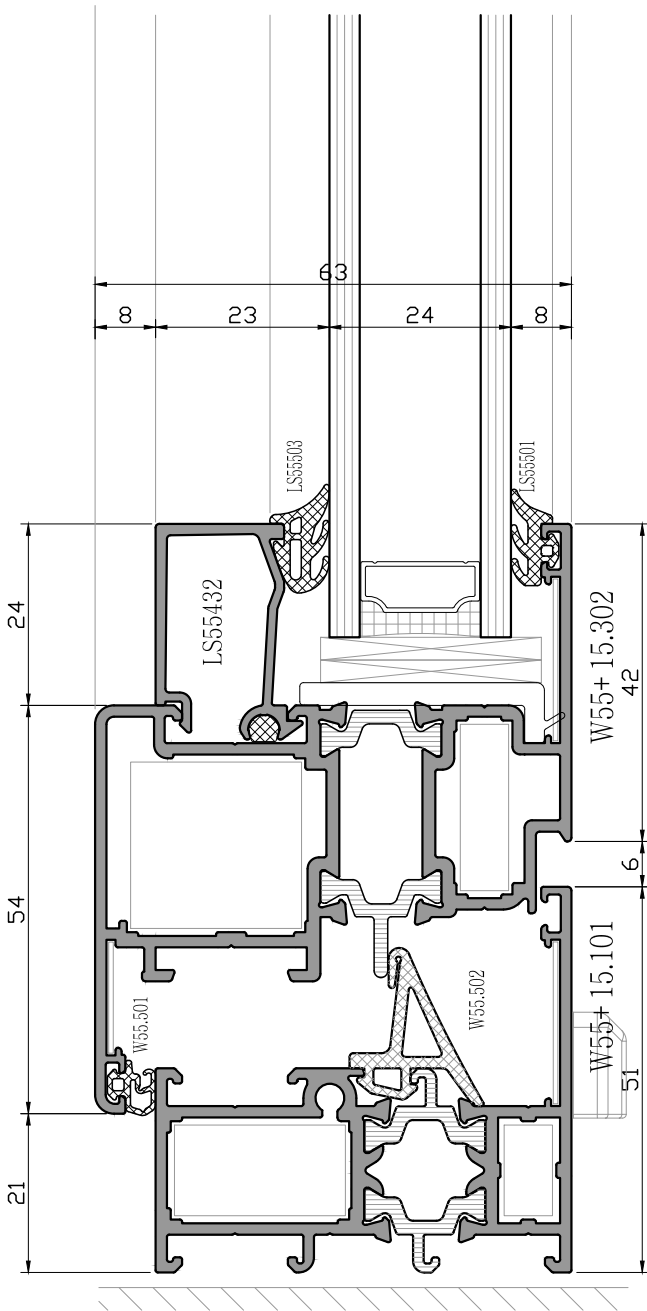


W 55+ YALITIMLI PENCERE VE KAPI SİSTEMİ INSULATED WINDOW AND DOOR SYSTEMS

SİSTEM DETAYLARI SYSTEM DETAILS

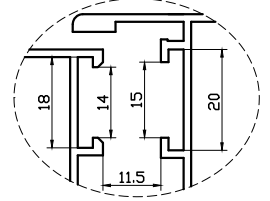
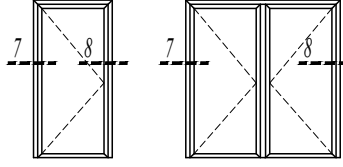


euro groove section 1



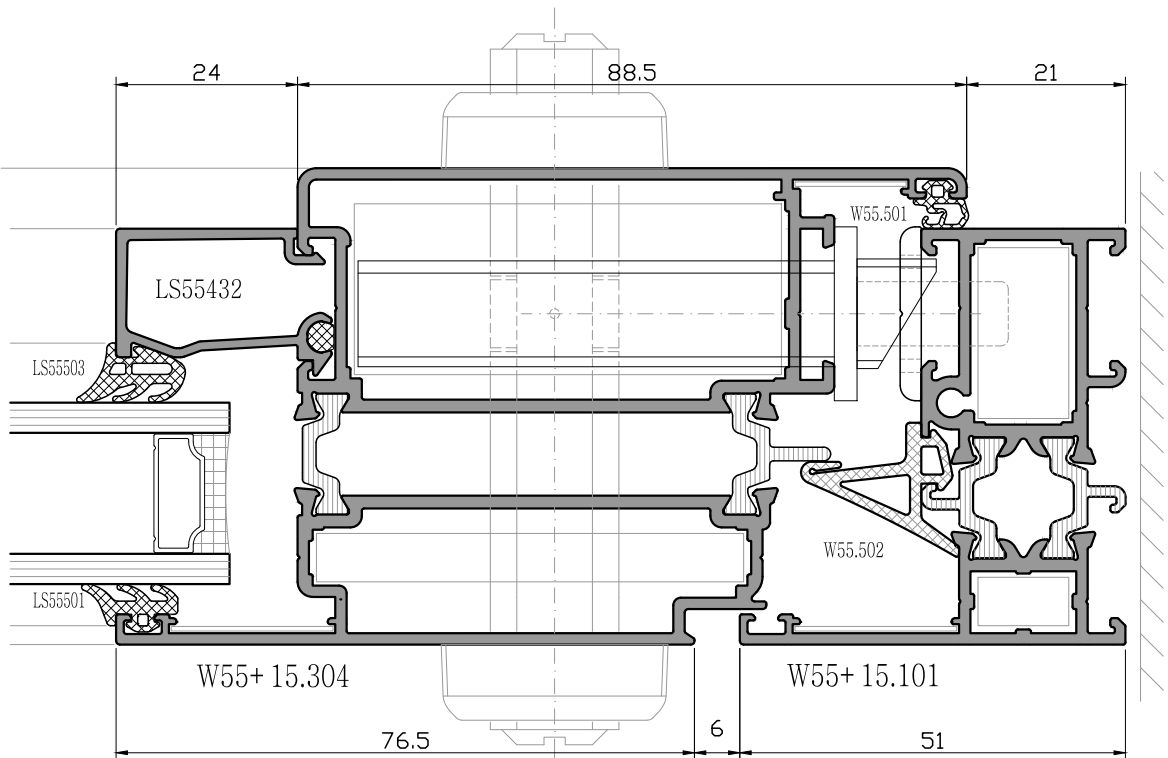
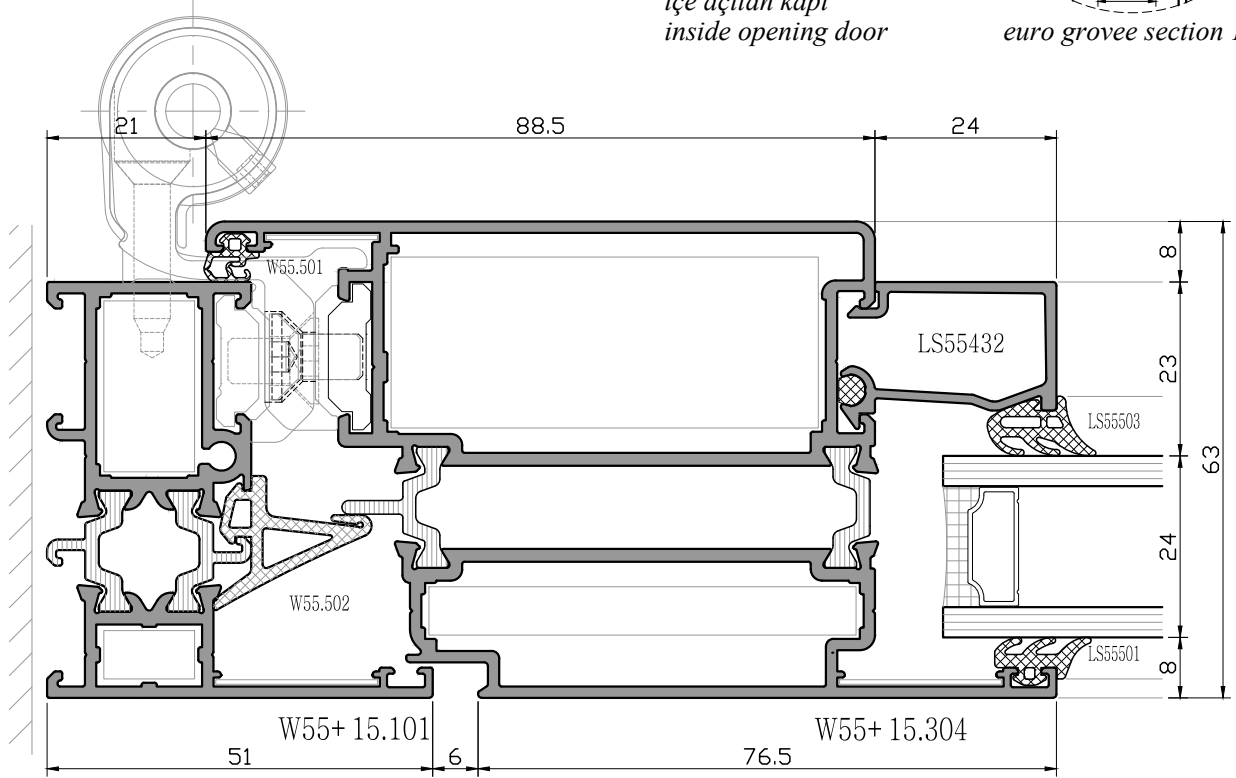
W 55+ YALITIMLI PENCERE VE KAPI SİSTEMİ INSULATED WINDOW AND DOOR SYSTEMS

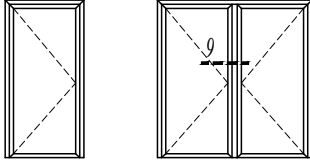
SİSTEM DETAYLARI
SYSTEM DETAILS



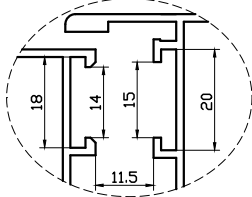
içe açılan kapı
inside opening door

euro groove section 1

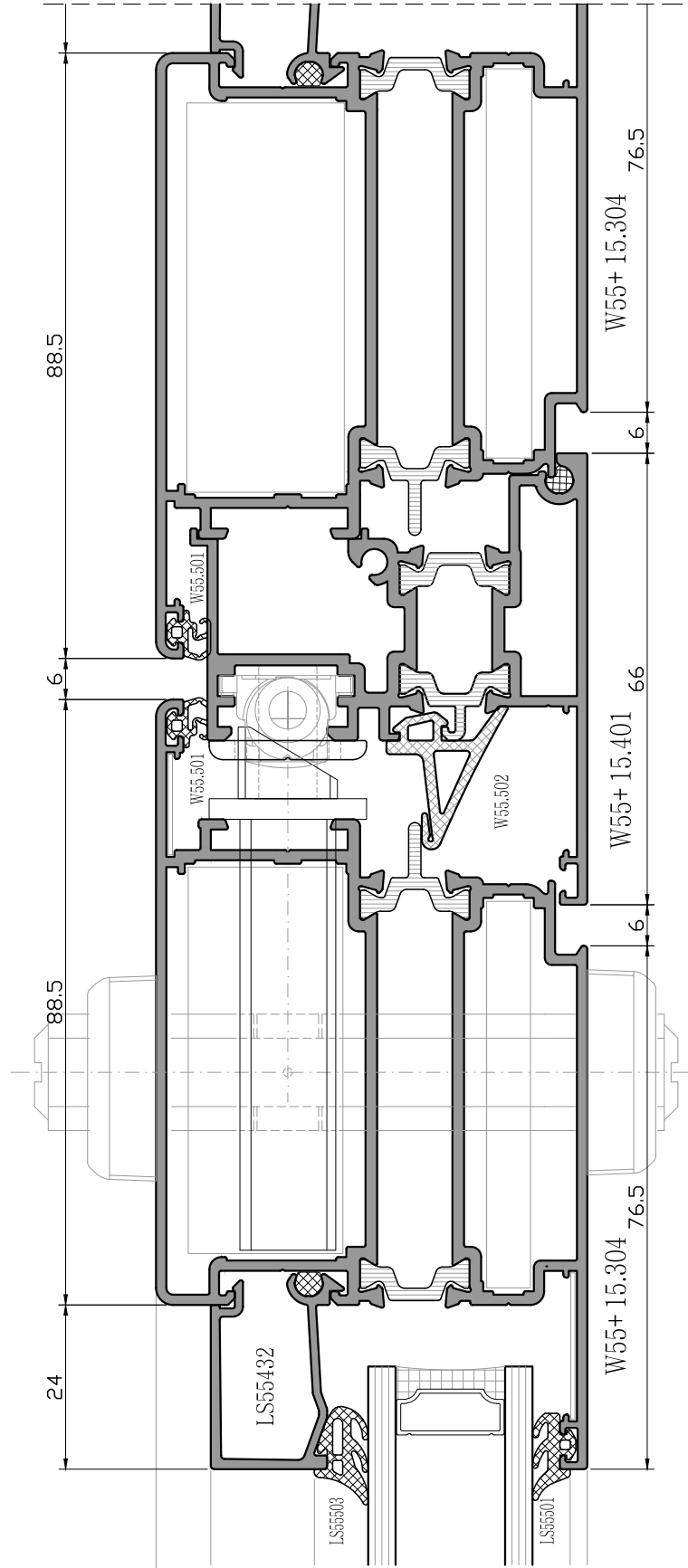
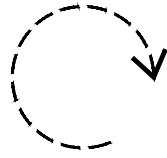




içe açılan kapı
inside opening door



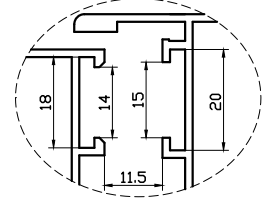
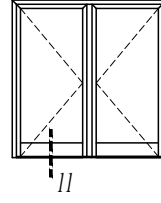
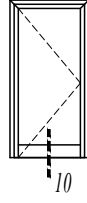
euro groove section 1



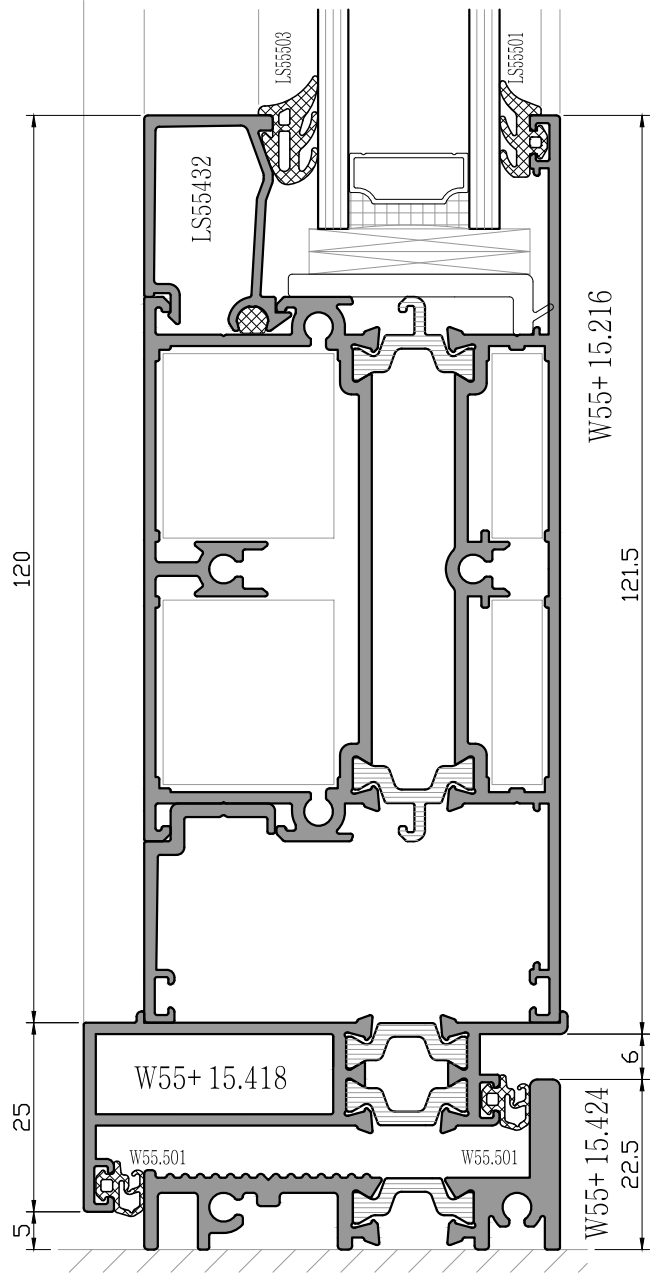
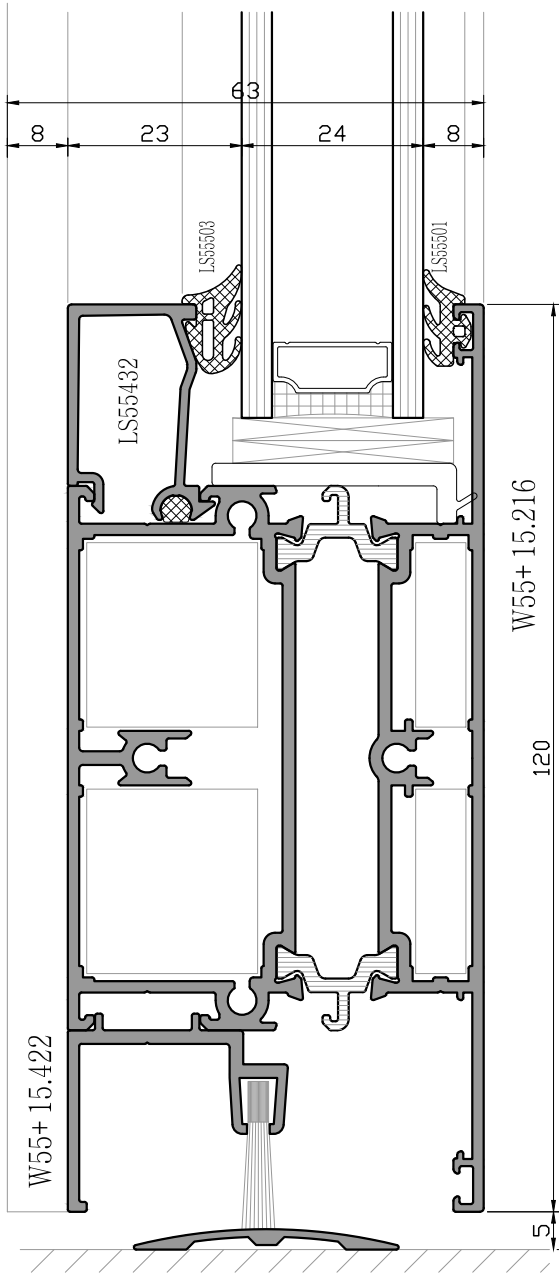
W 55+ YALITIMLI PENCERE VE KAPI SİSTEMİ INSULATED WINDOW AND DOOR SYSTEMS

SİSTEM DETAYLARI
SYSTEM DETAILS

içe açılan kapı
inside opening door

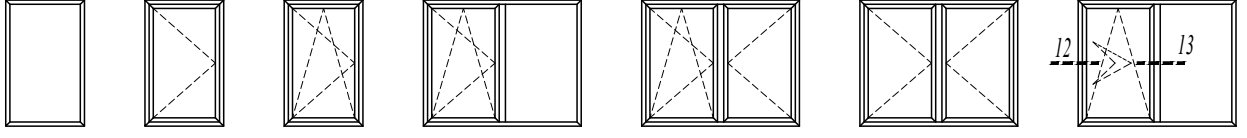


euro groove section I

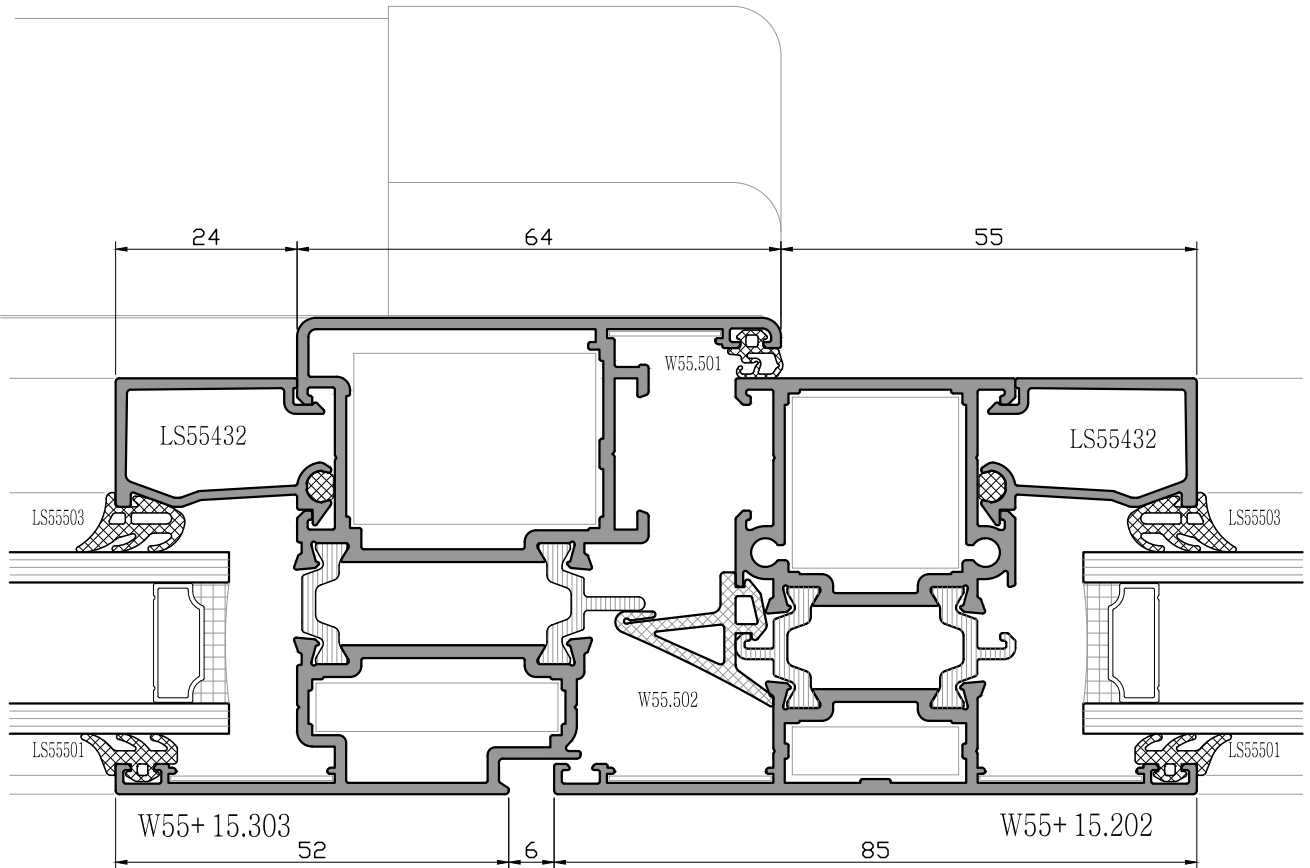
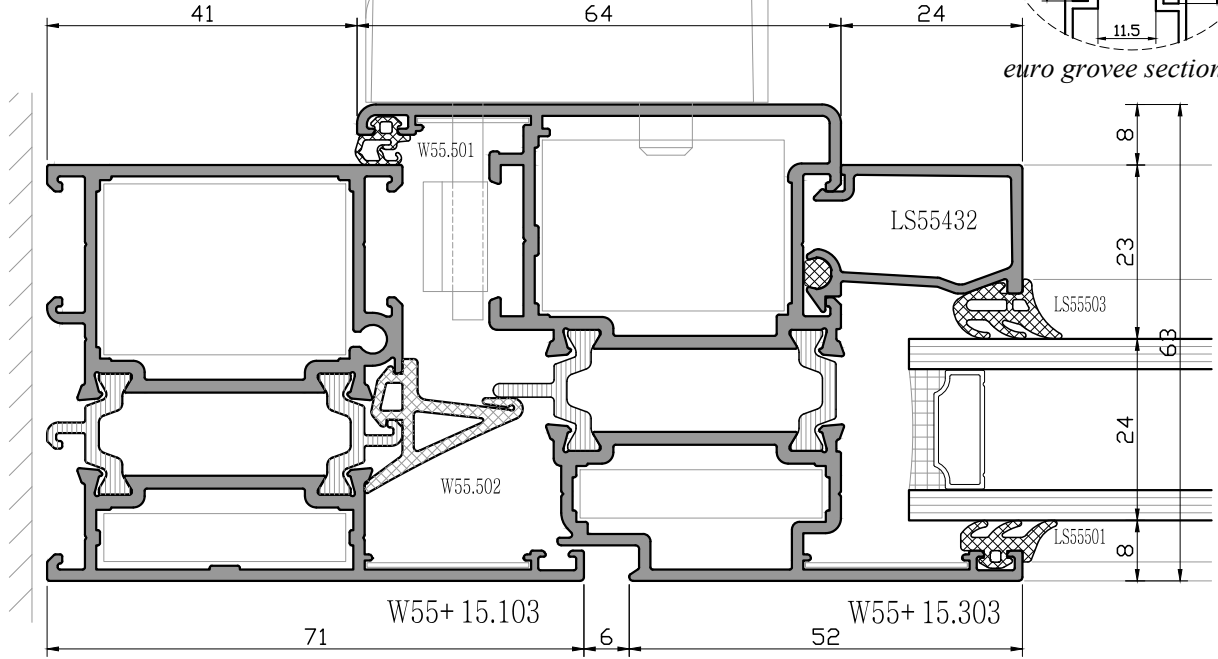


W 55+ YALITIMLI PENCERE VE KAPI SİSTEMİ INSULATED WINDOW AND DOOR SYSTEMS

SİSTEM DETAYLARI
SYSTEM DETAILS

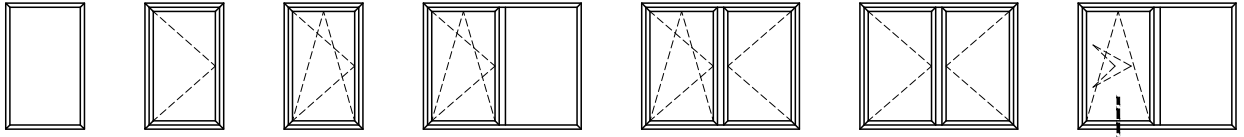


*içe açılan pencere
inside opening window*

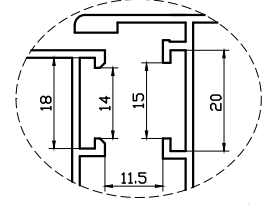


W 55+ YALITIMLI PENCERE VE KAPI SİSTEMİ INSULATED WINDOW AND DOOR SYSTEMS

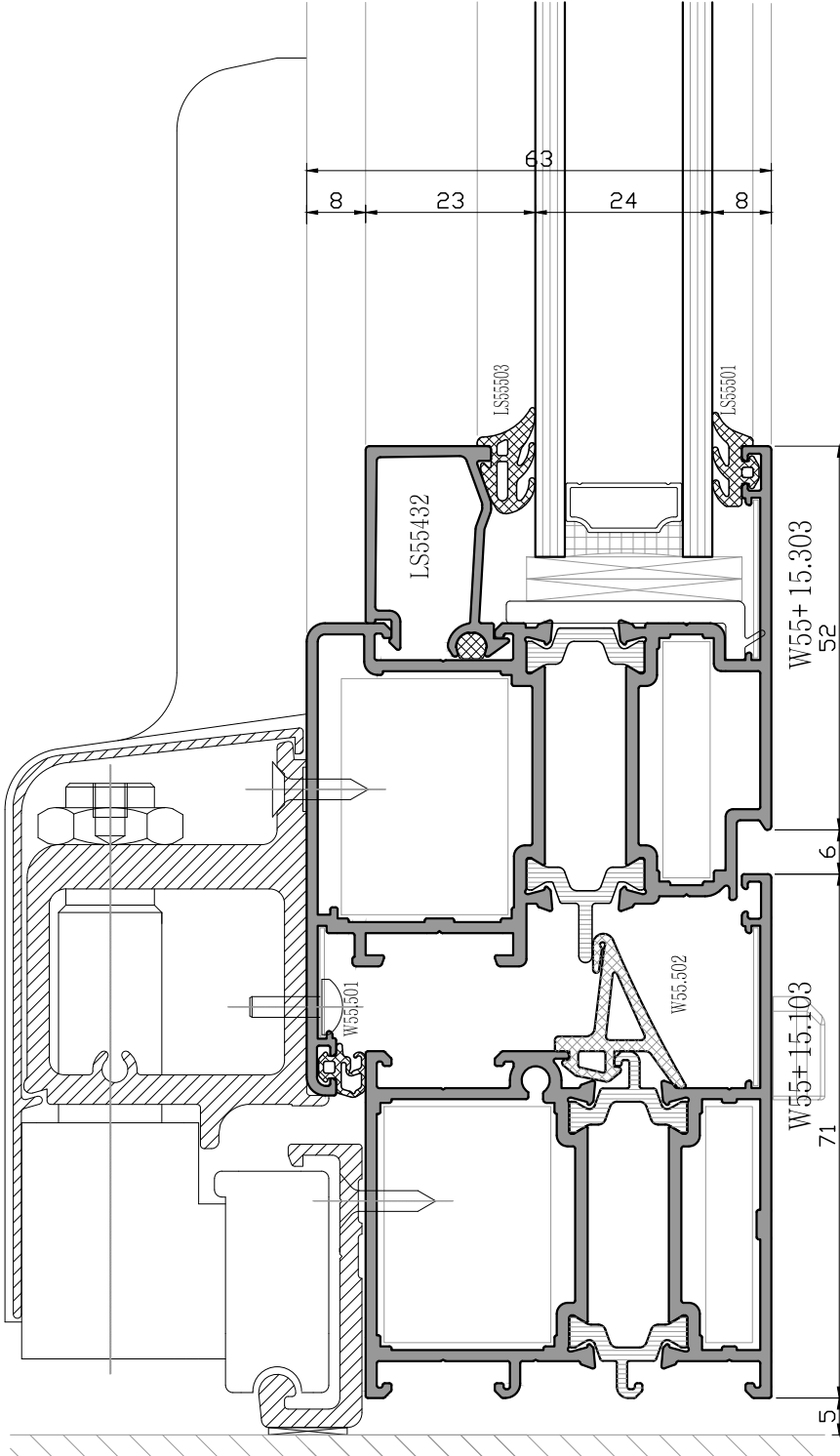
SİSTEM DETAYLARI
SYSTEM DETAILS



*içe açılan pencere
inside opening window*

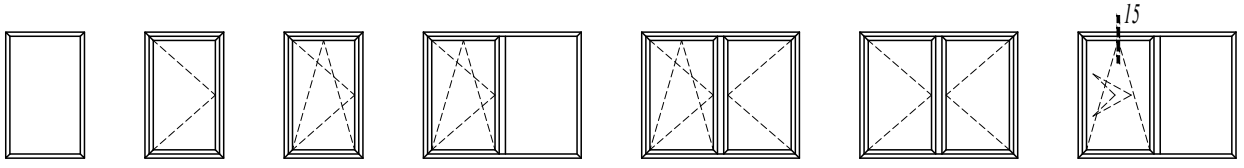


euro groove section 1

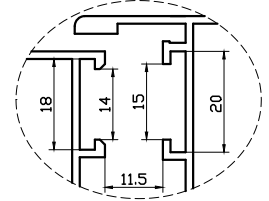


W 55+ YALITIMLI PENCERE VE KAPI SİSTEMİ INSULATED WINDOW AND DOOR SYSTEMS

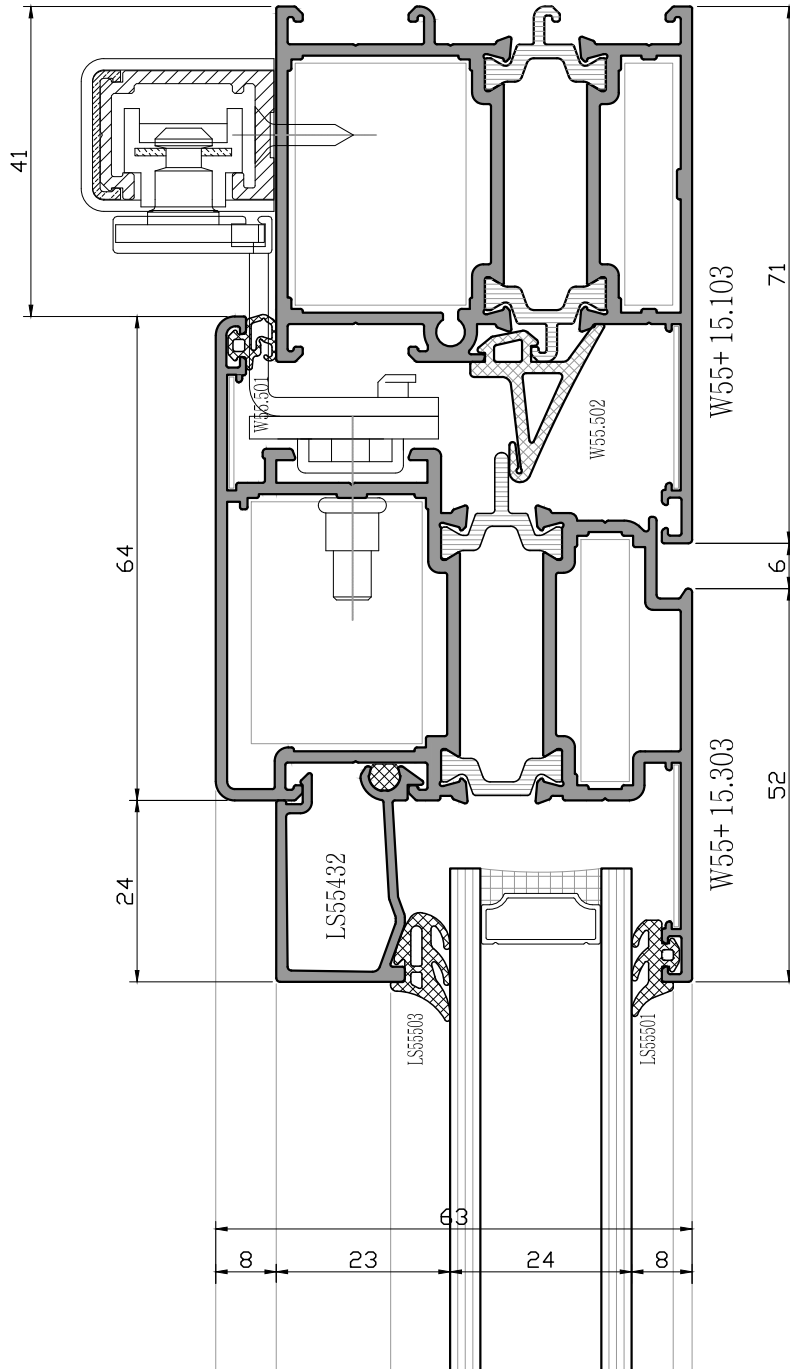
SİSTEM DETAYLARI
SYSTEM DETAILS



*ie aılan pencere
inside opening window*

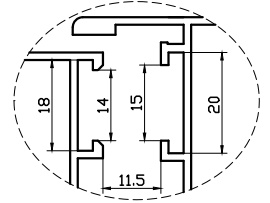
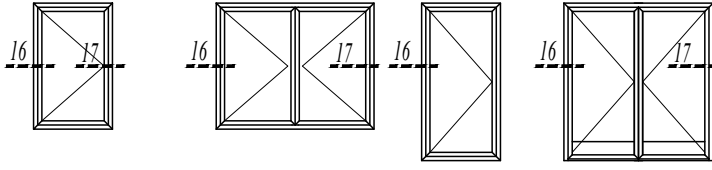


euro groove section 1



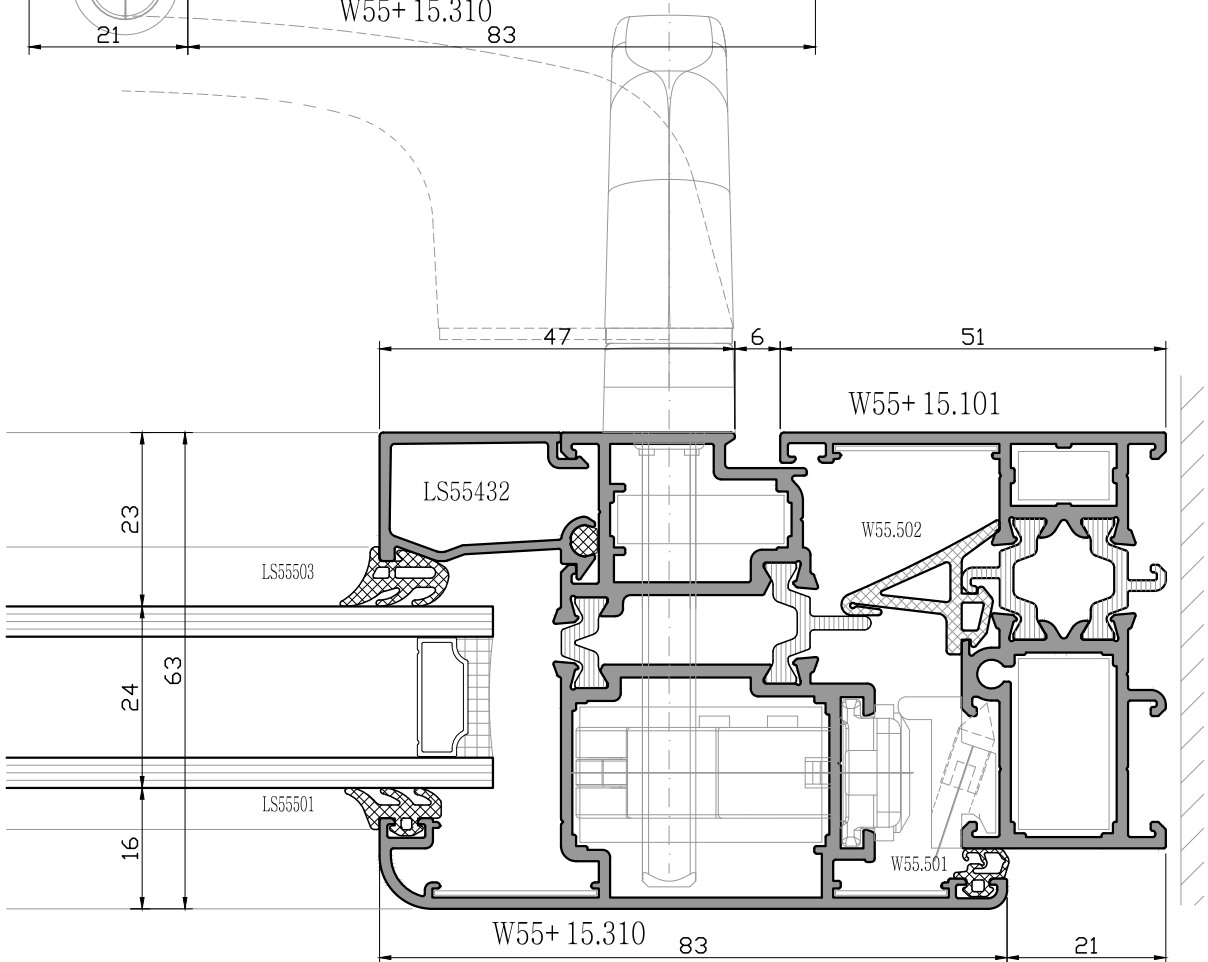
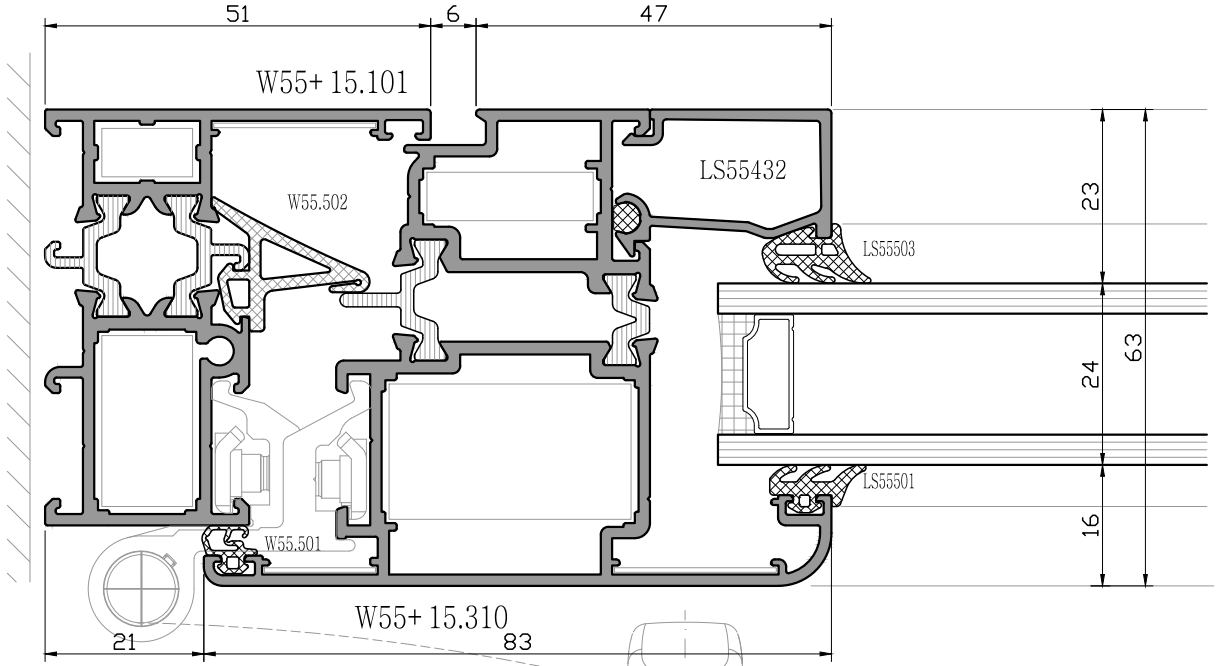
W 55+ YALITIMLI PENCERE VE KAPI SİSTEMİ INSULATED WINDOW AND DOOR SYSTEMS

SİSTEM DETAYLARI
SYSTEM DETAILS



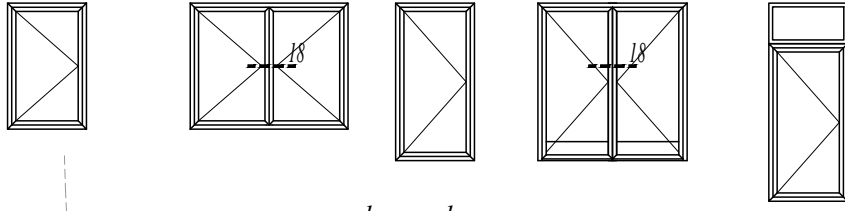
*dışa açılan pencere
outward opening window*

euro groove section 1

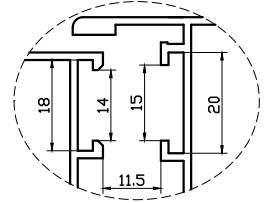


W 55+ YALITIMLI PENCERE VE KAPI SİSTEMİ INSULATED WINDOW AND DOOR SYSTEMS

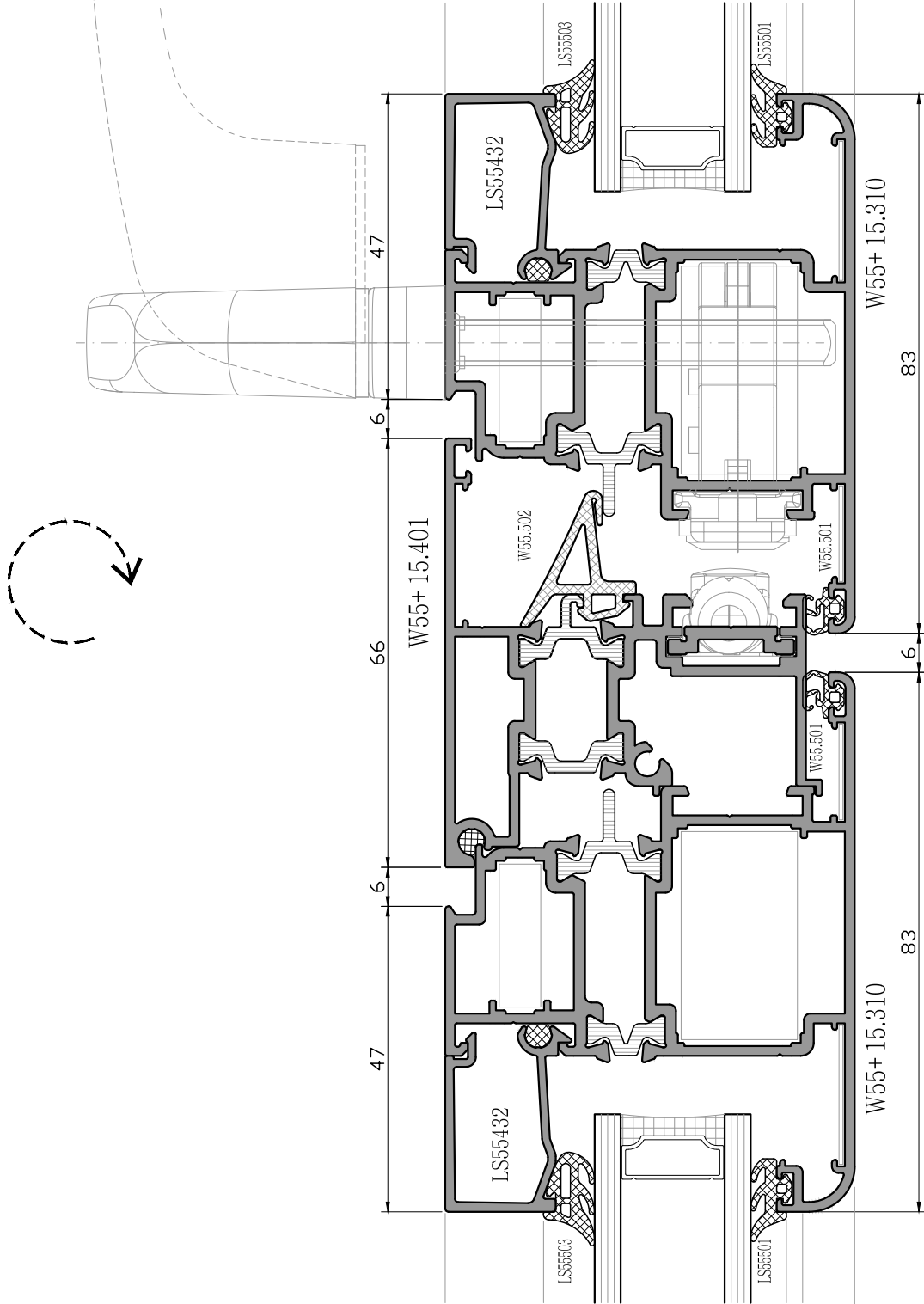
SİSTEM DETAYLARI
SYSTEM DETAILS



*dışa açılan pencere
outward opening window*

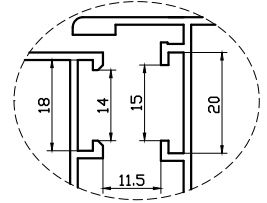
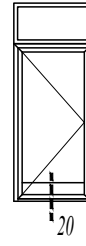
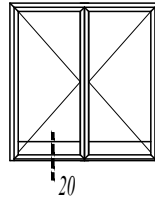
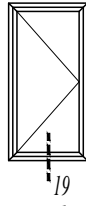
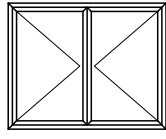
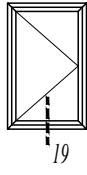


euro groove section 1



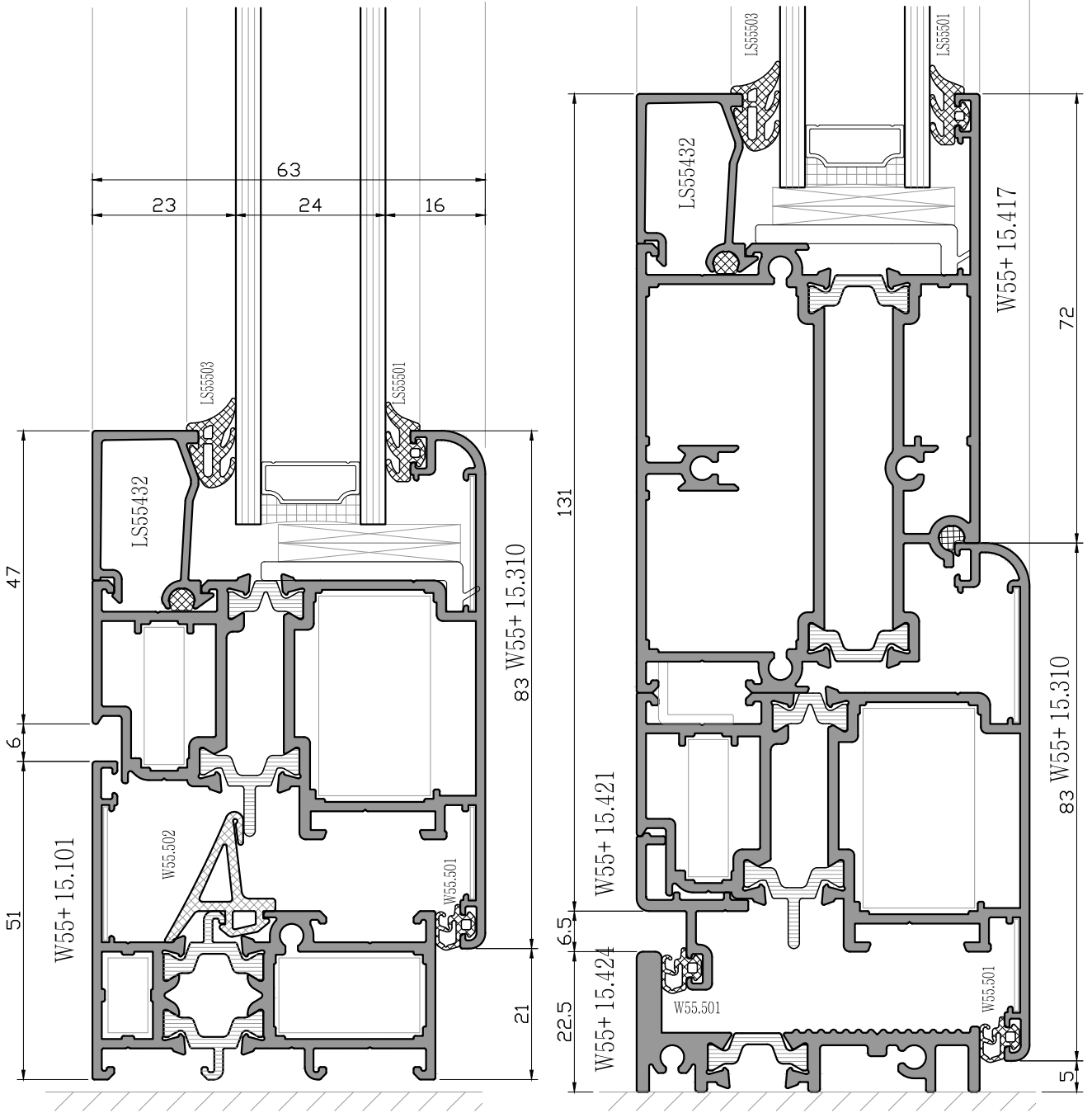
W 55+ YALITIMLI PENCERE VE KAPI SİSTEMİ INSULATED WINDOW AND DOOR SYSTEMS

SİSTEM DETAYLARI
SYSTEM DETAILS



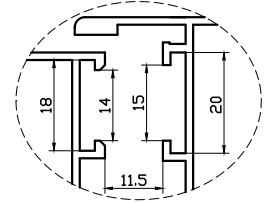
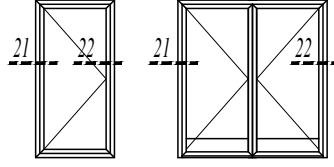
*dışa açılan pencere
outward opening window*

euro groove section 1



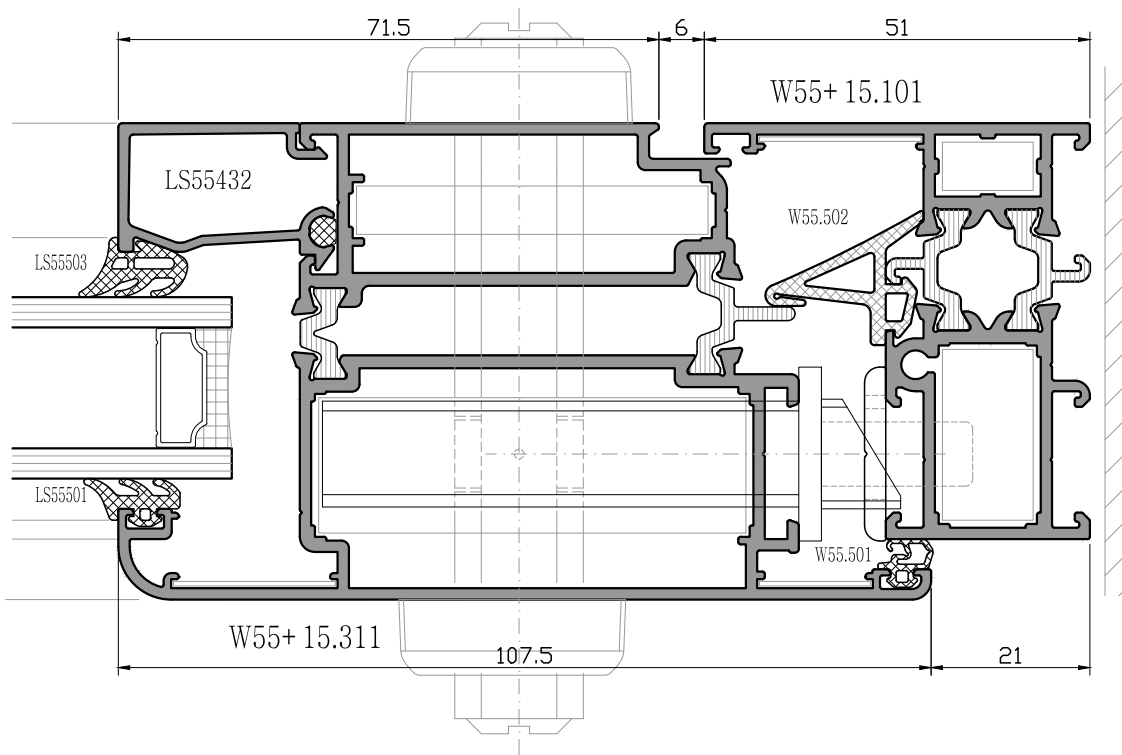
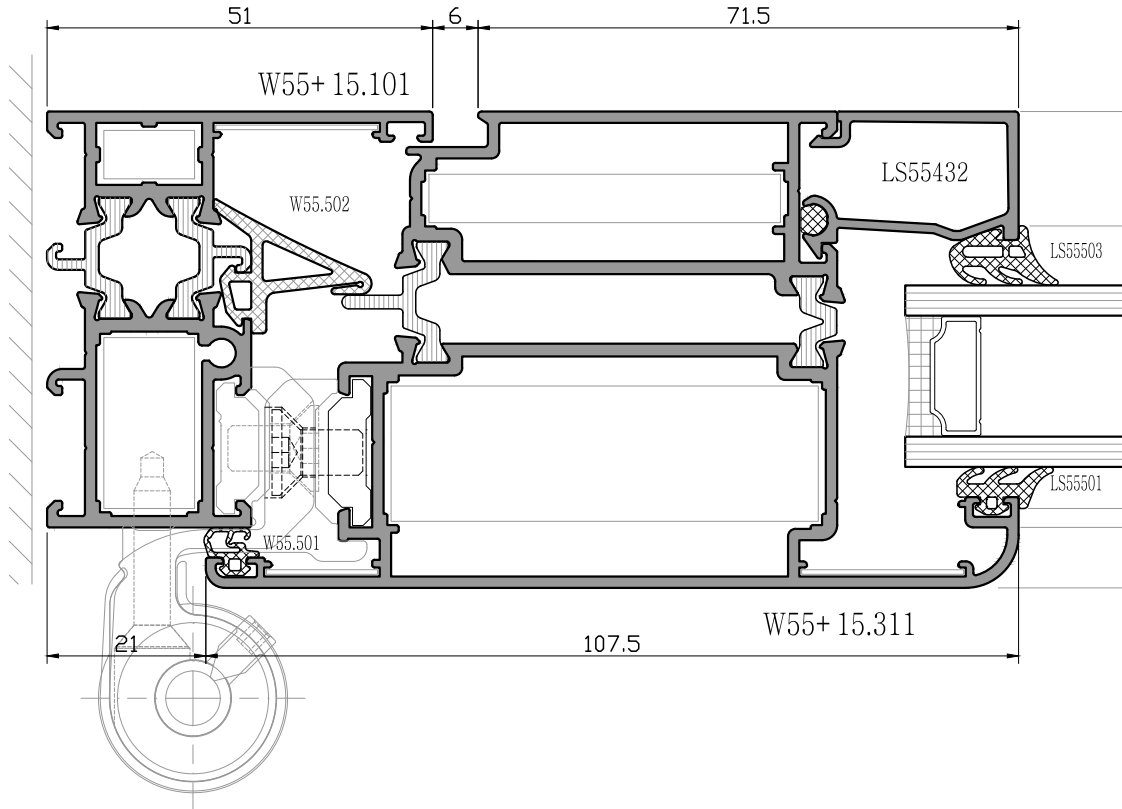
W 55+ YALITIMLI PENCERE VE KAPI SİSTEMİ INSULATED WINDOW AND DOOR SYSTEMS

SİSTEM DETAYLARI
SYSTEM DETAILS



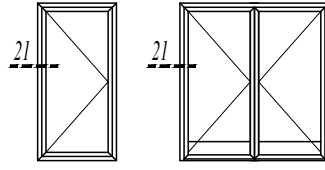
dışa açılan pencere
outward opening window

euro groove section 1

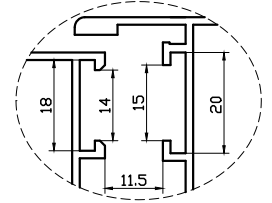


W 55+ YALITIMLI PENCERE VE KAPI SİSTEMİ
INSULATED WINDOW AND DOOR SYSTEMS

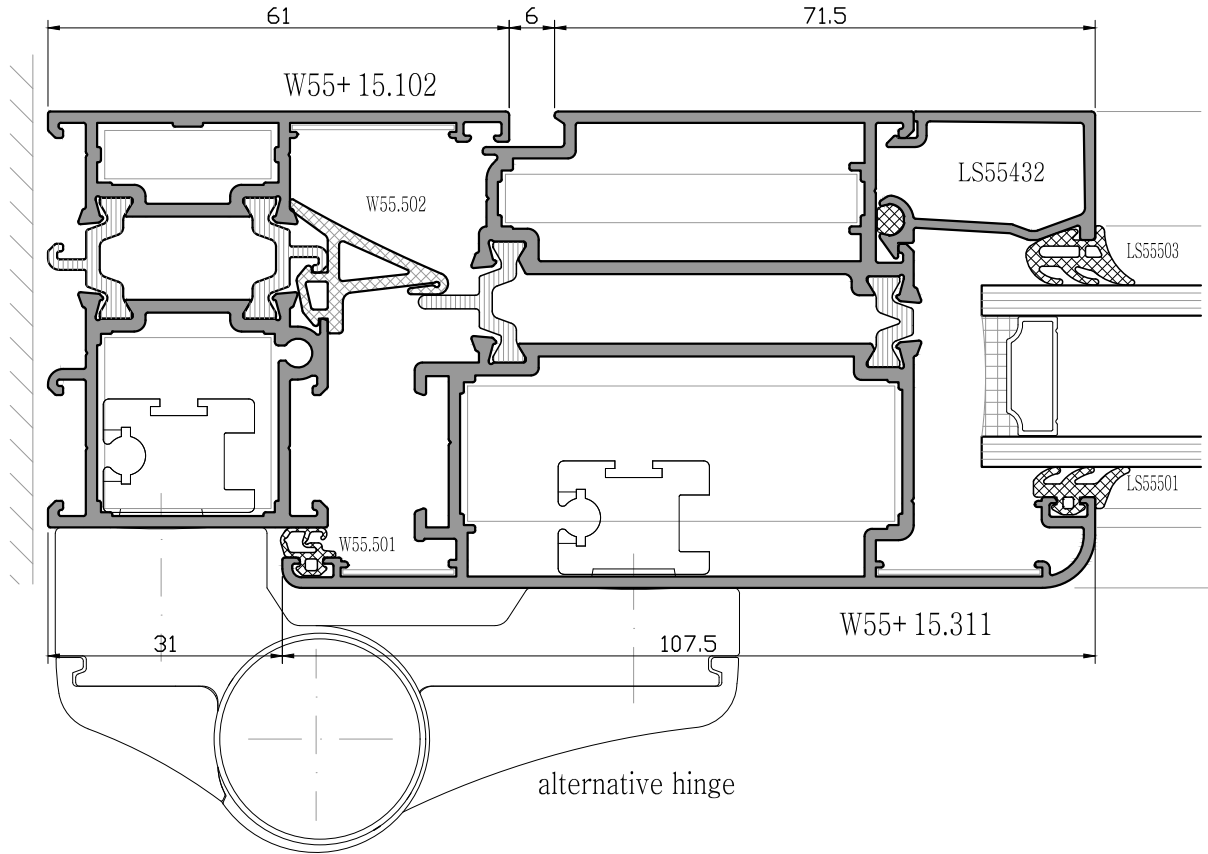
SİSTEM DETAYLARI
SYSTEM DETAILS

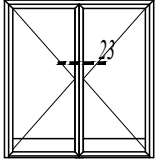


dışa açılan pencere
outward opening window

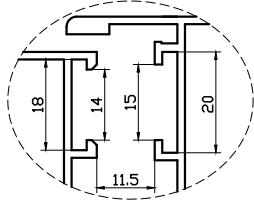


euro groove section 1

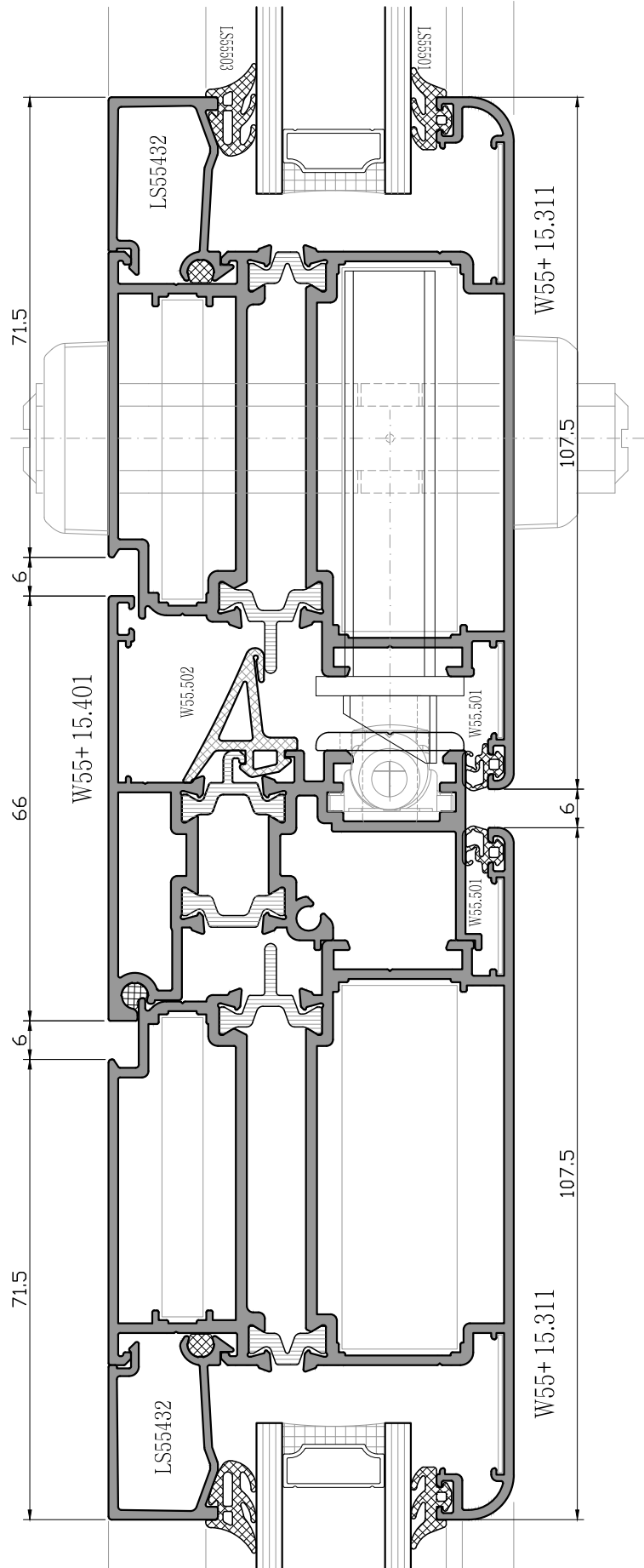
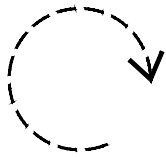




dışa açılan pencere
outward opening window

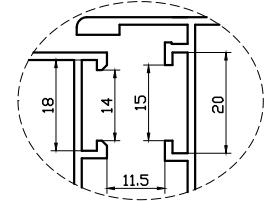
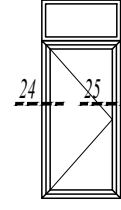


euro groove section 1



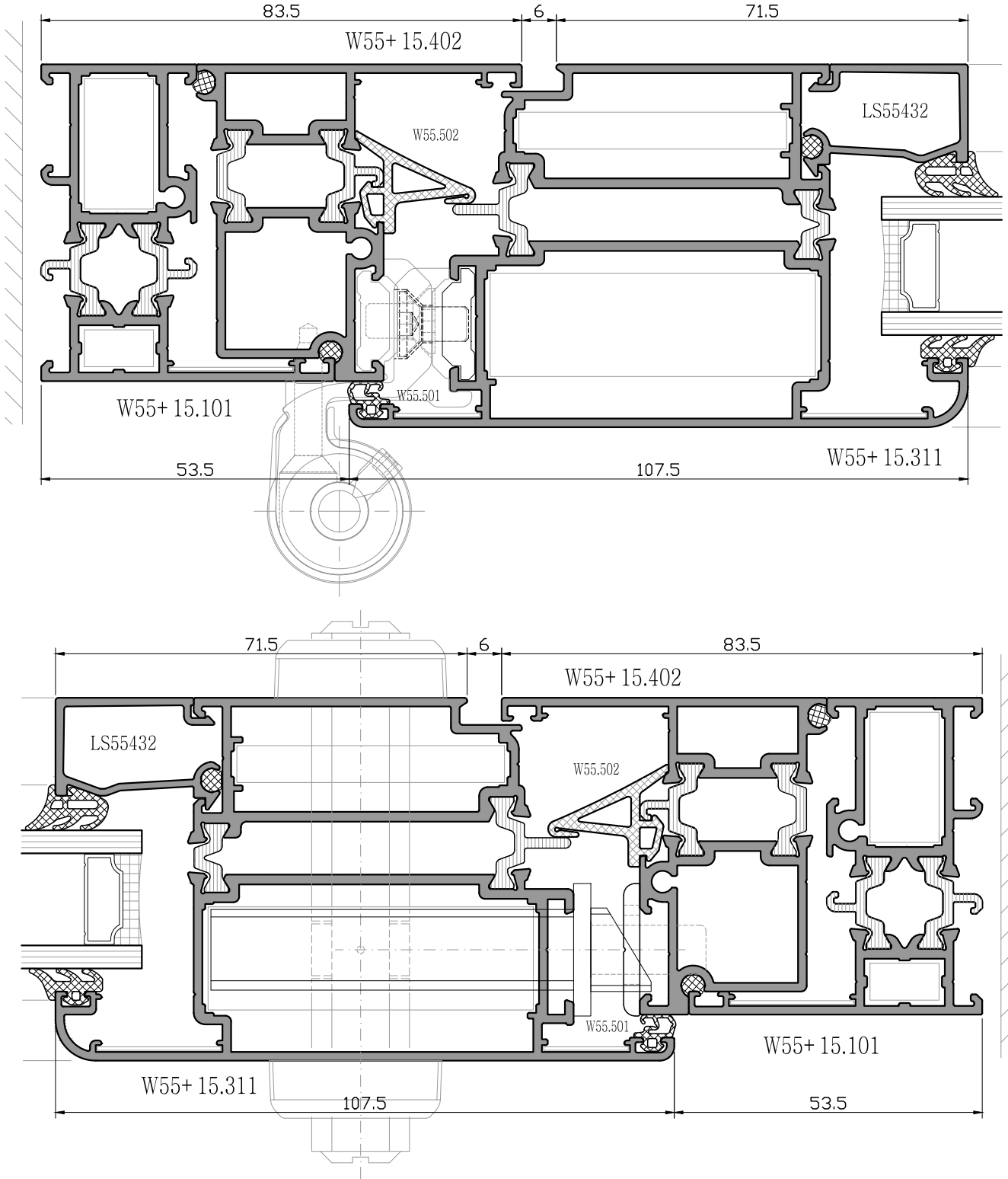
W 55+ YALITIMLI PENCERE VE KAPI SİSTEMİ INSULATED WINDOW AND DOOR SYSTEMS

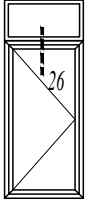
SİSTEM DETAYLARI
SYSTEM DETAILS



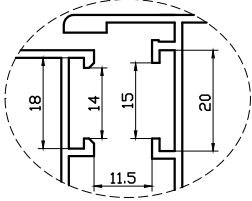
dışa açılan pencere
outward opening window

euro groove section 1

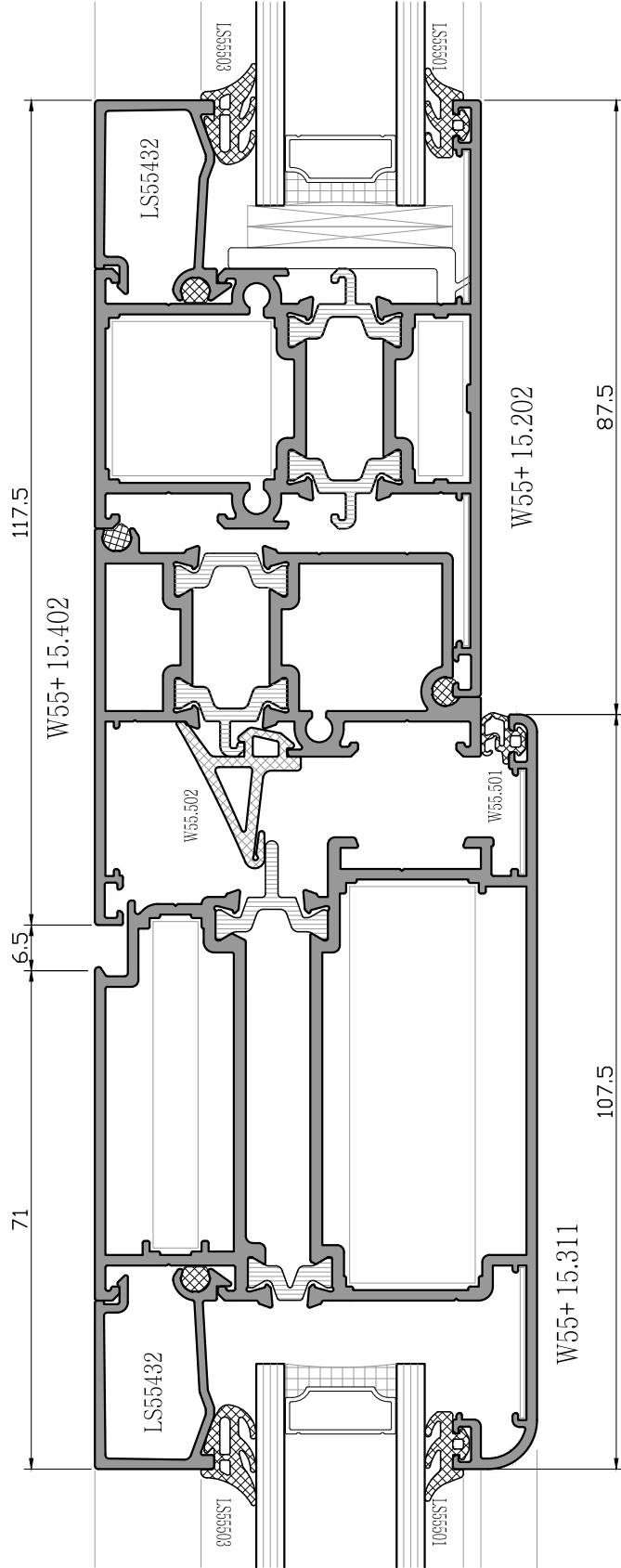




dışa açılan pencere
outward opening window

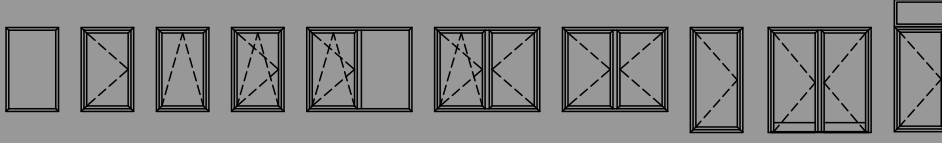


euro groove section 1

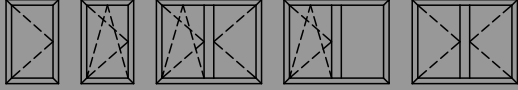


W 55+

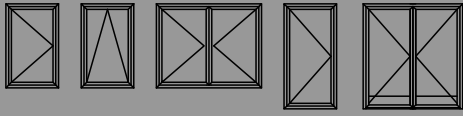
YALITIMLI PENCERE VE KAPI SİSTEMİ
INSULATED WINDOW AND DOOR SYSTEMS



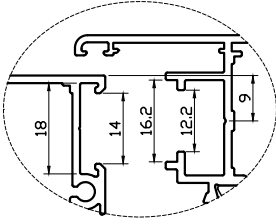
*içe açılan pencere
inside opening window*



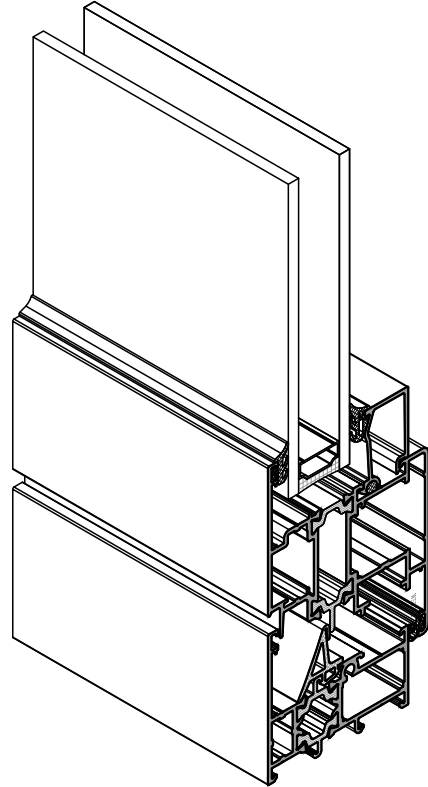
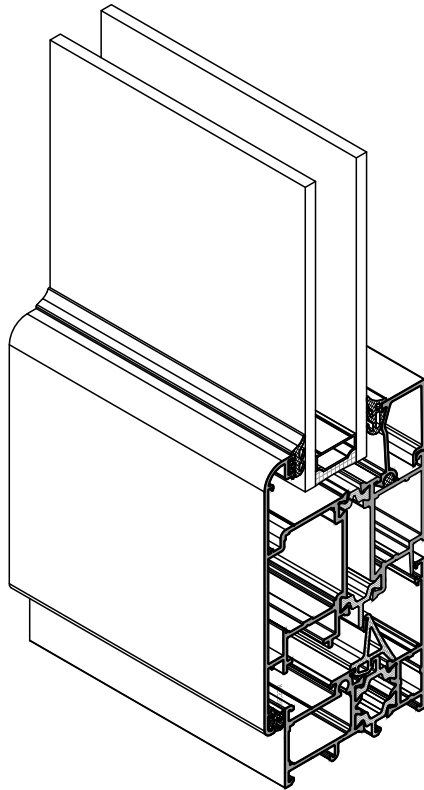
*içe açılan gizli kanat pencere
inside opening hidden vent window*



*dışa açılan pencere
outward opening window*

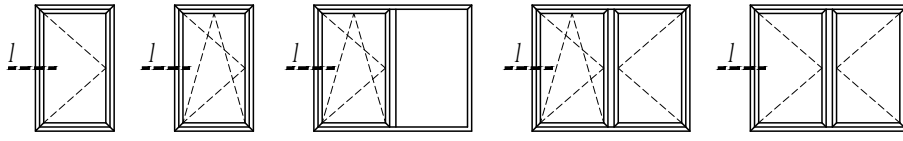


pvc groove section 9mm

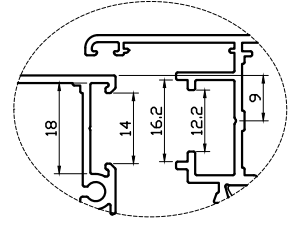


W 55+ YALITIMLI PENCERE VE KAPI SİSTEMİ INSULATED WINDOW AND DOOR SYSTEMS

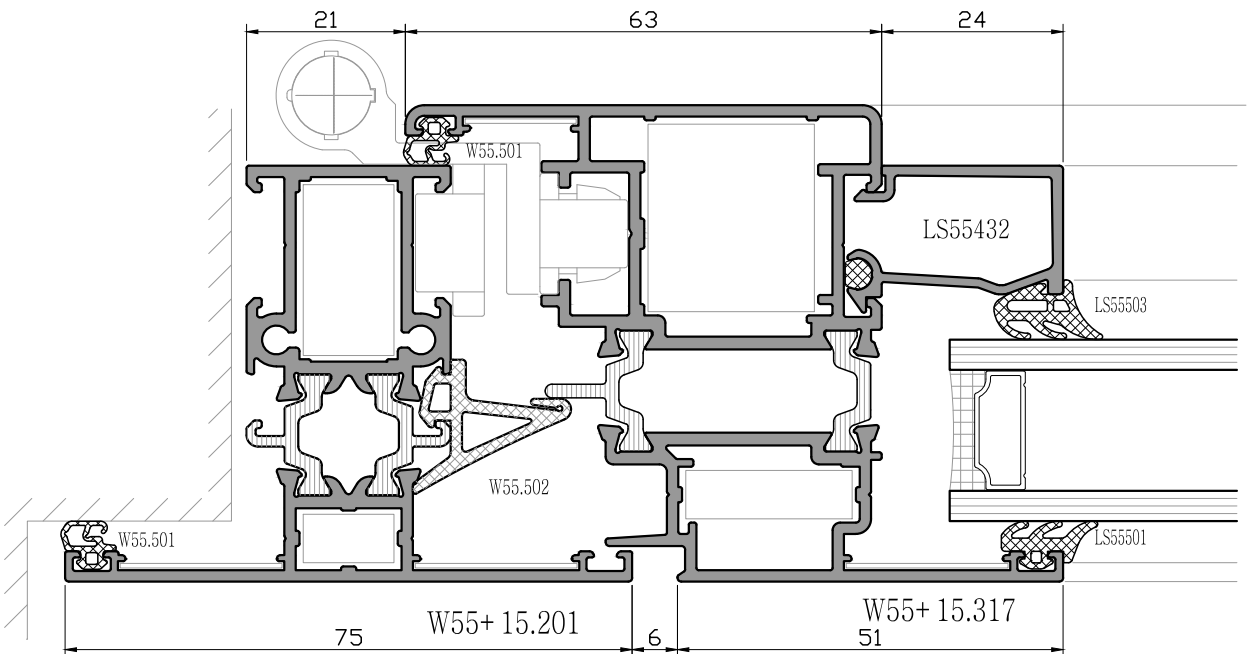
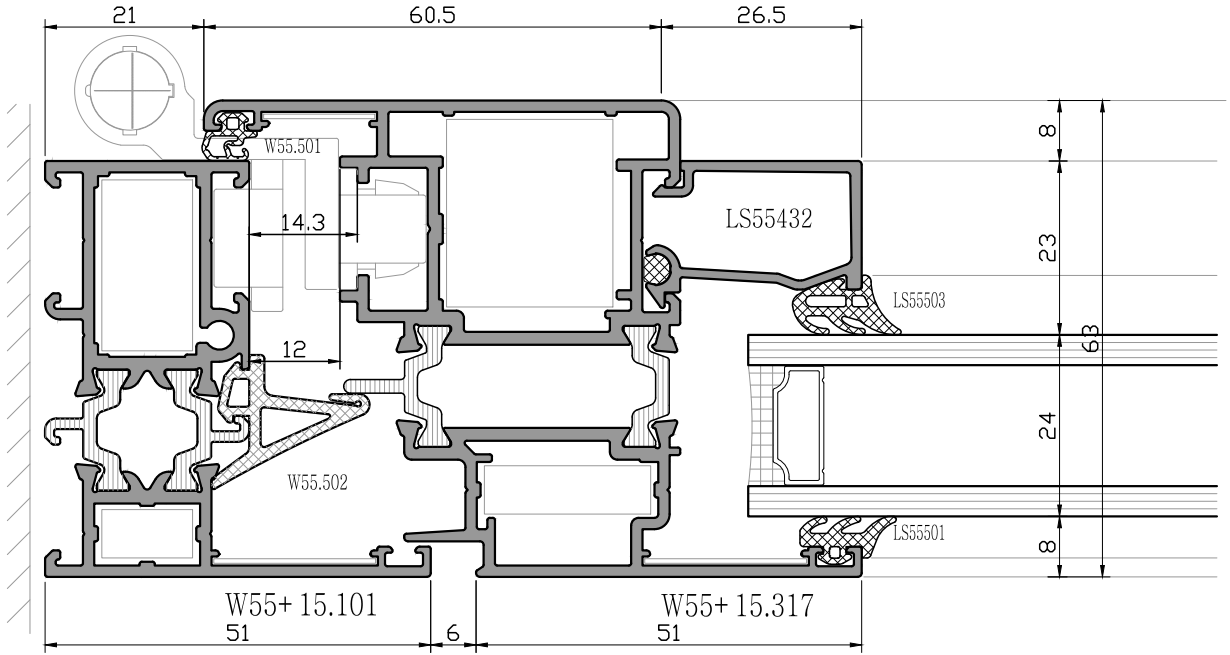
SİSTEM DETAYLARI
SYSTEM DETAILS



*içe açılan pencere
inside opening window*

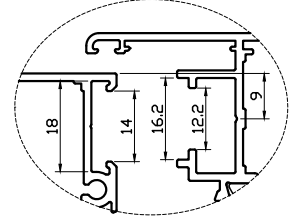
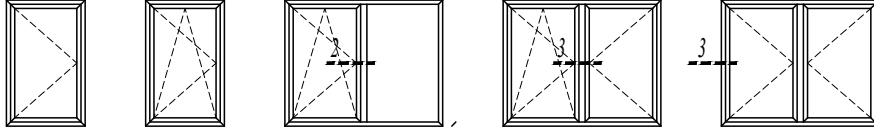


pvc groove section 9mm



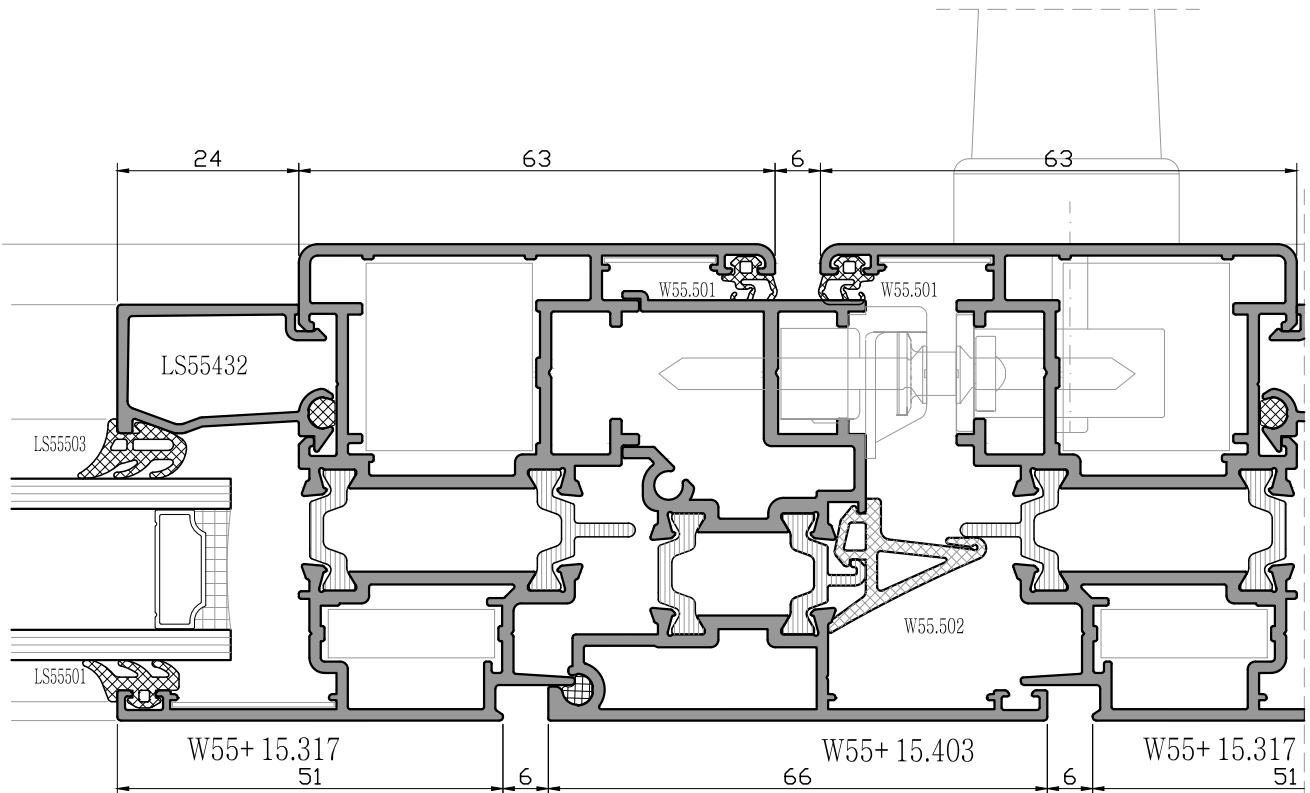
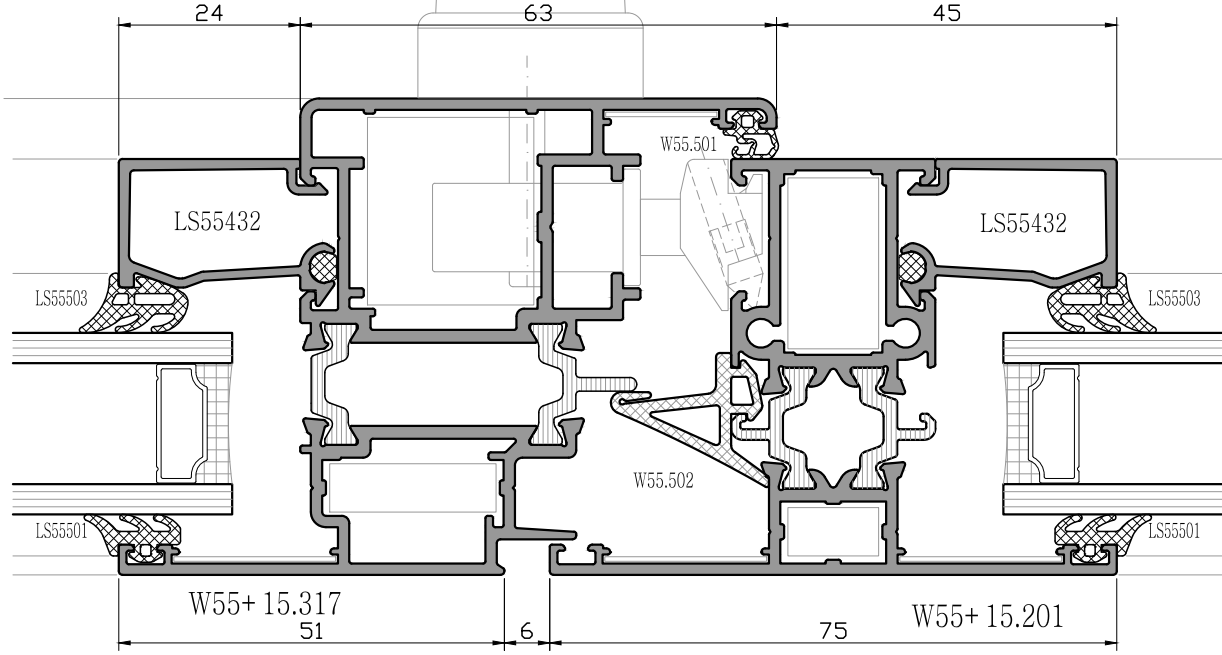
W 55+ YALITIMLI PENCERE VE KAPI SİSTEMİ INSULATED WINDOW AND DOOR SYSTEMS

SİSTEM DETAYLARI
SYSTEM DETAILS



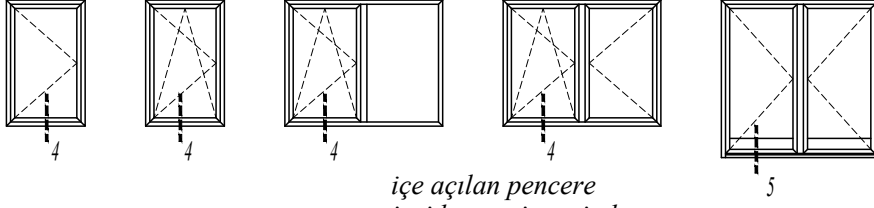
*içe açılan pencere
inside opening window*

pvc groove section 9mm

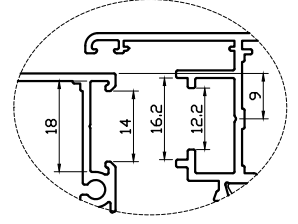


W 55+ YALITIMLI PENCERE VE KAPI SİSTEMİ INSULATED WINDOW AND DOOR SYSTEMS

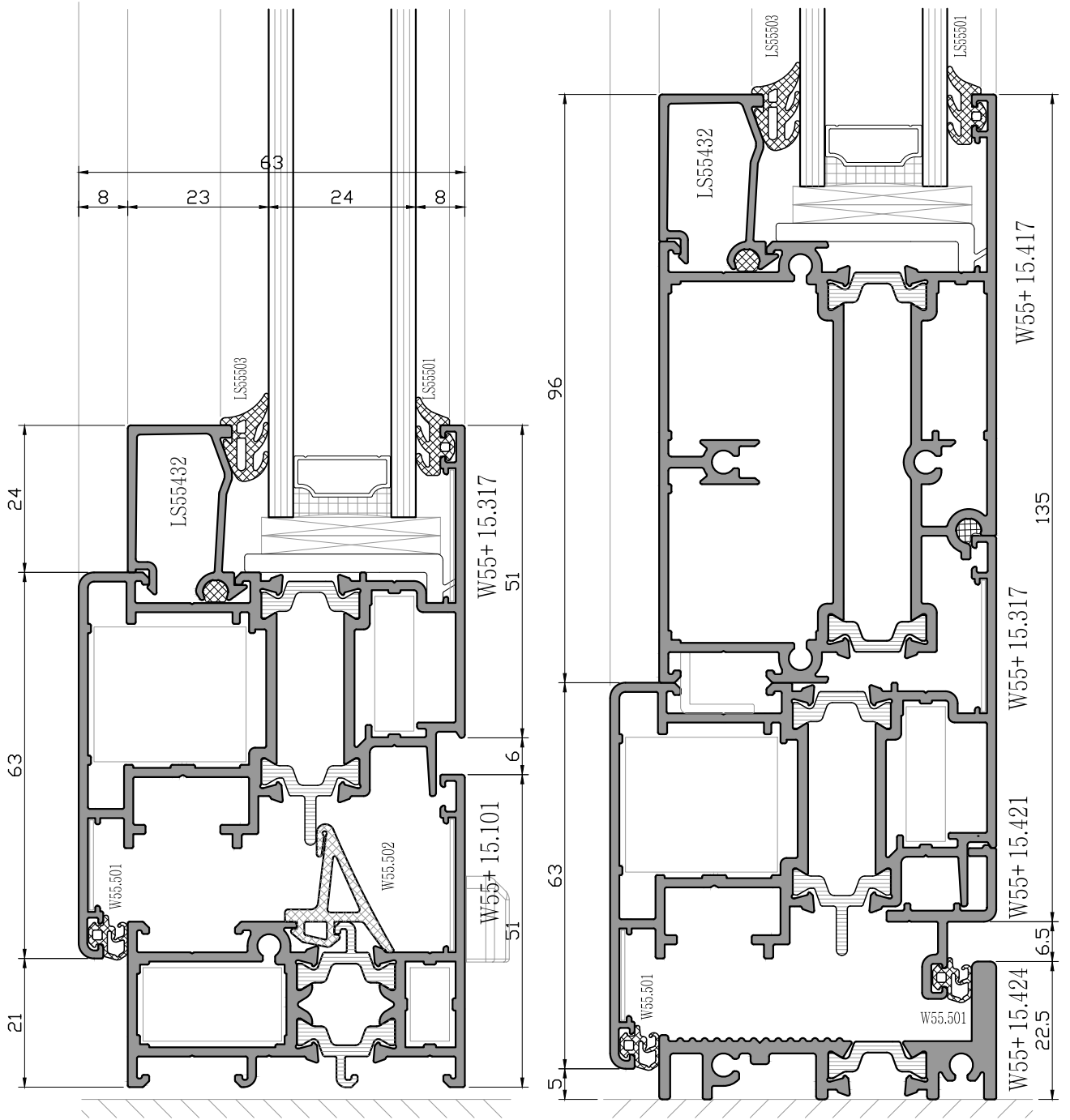
SİSTEM DETAYLARI
SYSTEM DETAILS



içe açılan pencere
inside opening window

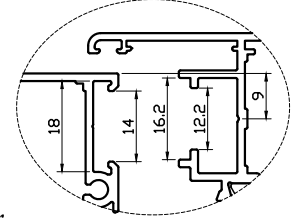
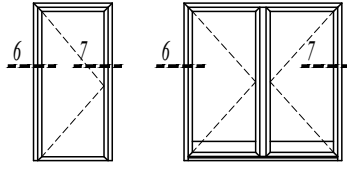


pvc groove section 9mm



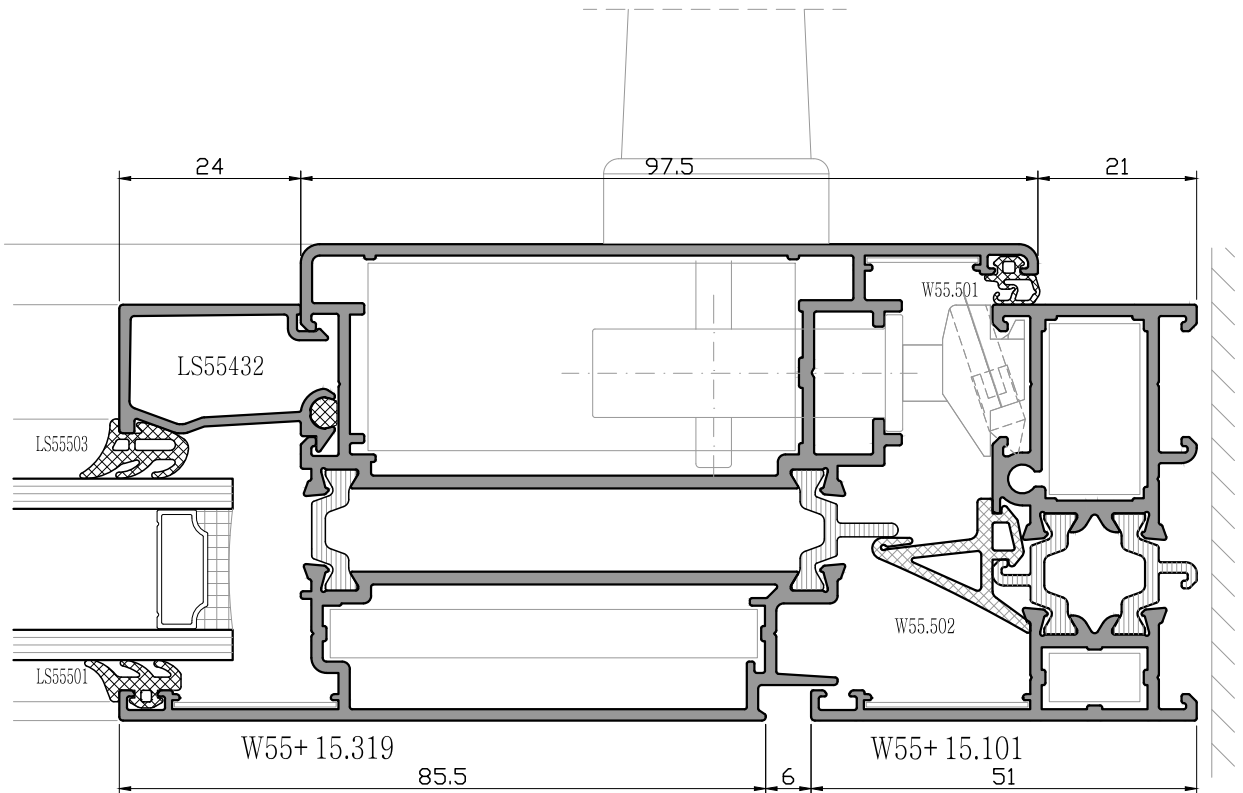
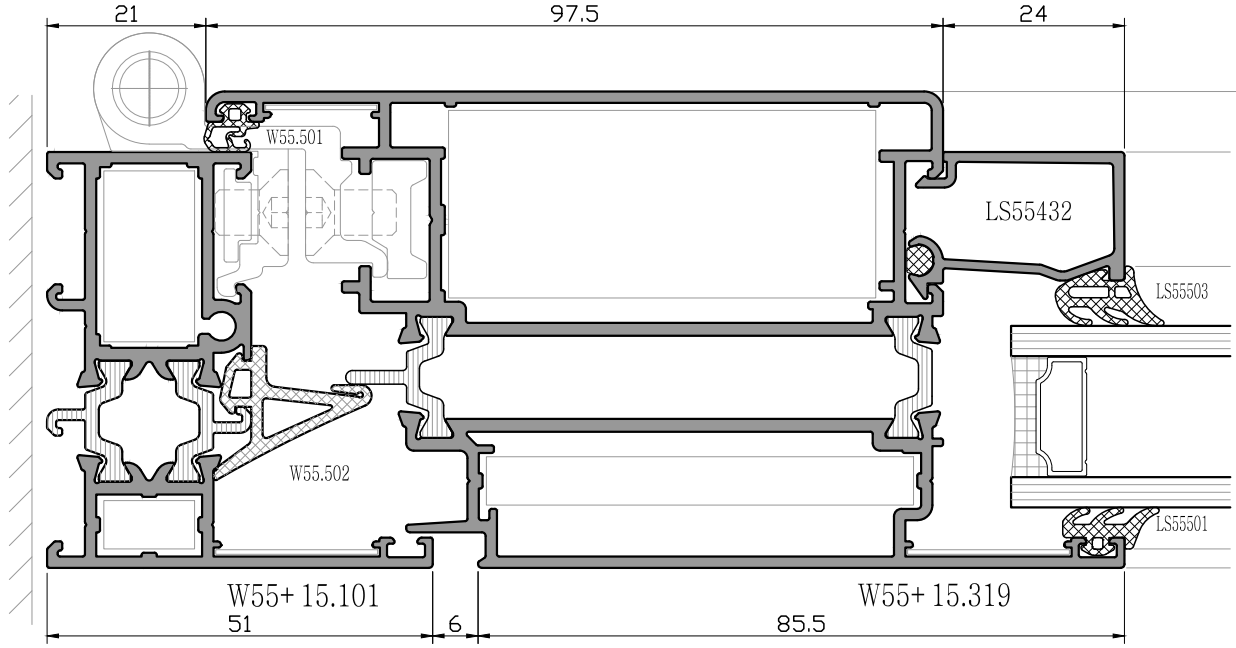
W 55+ YALITIMLI PENCERE VE KAPI SİSTEMİ INSULATED WINDOW AND DOOR SYSTEMS

SİSTEM DETAYLARI
SYSTEM DETAILS



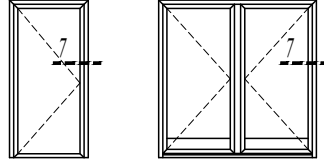
içe açılan kapı
inside opening door

pvc groove section 9mm

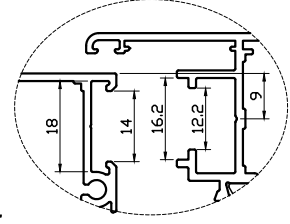


W 55+ YALITIMLI PENCERE VE KAPI SİSTEMİ INSULATED WINDOW AND DOOR SYSTEMS

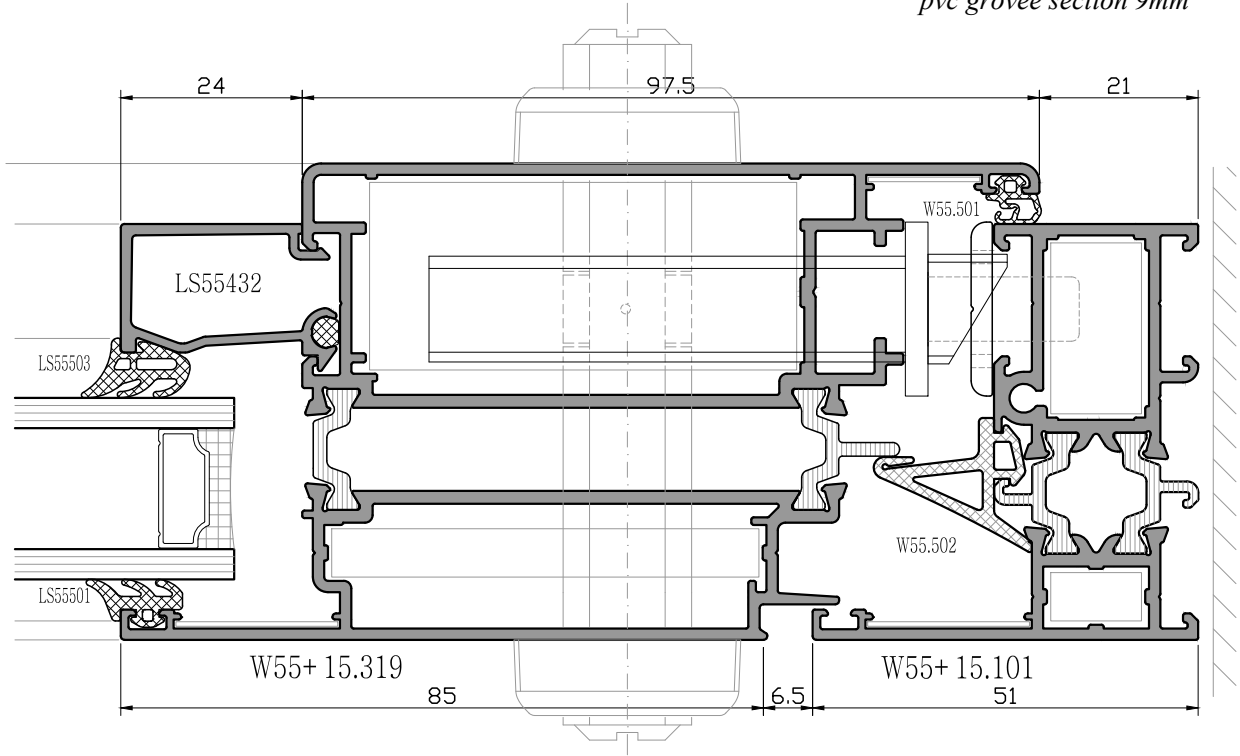
SİSTEM DETAYLARI
SYSTEM DETAILS

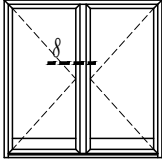


içe açılan kapı
inside opening door

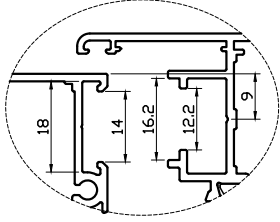


pvc groove section 9mm

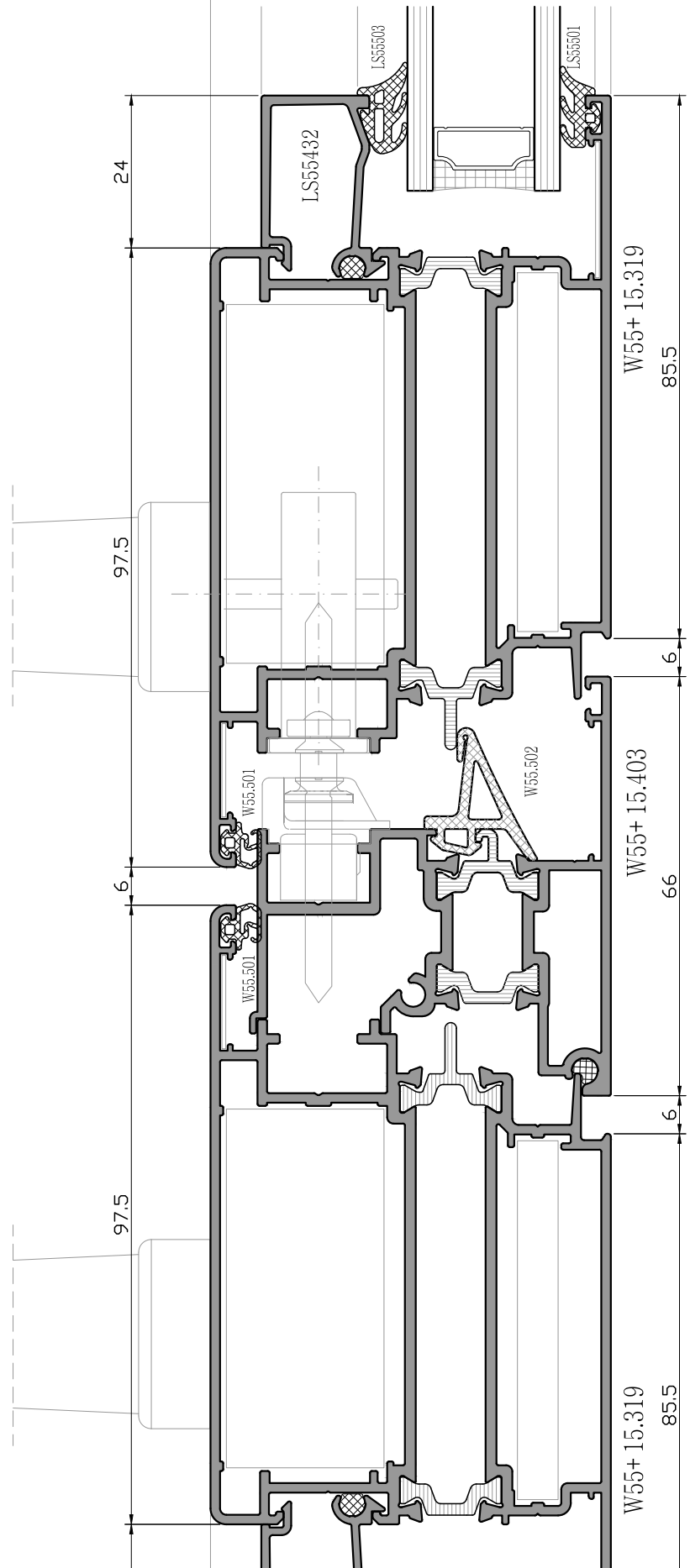
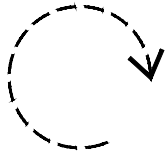




içe açılan kapı
inside opening door

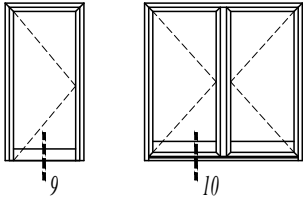


pvc groove section 9mm

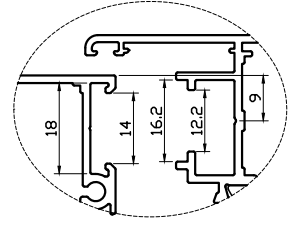


W 55+ YALITIMLI PENCERE VE KAPI SİSTEMİ INSULATED WINDOW AND DOOR SYSTEMS

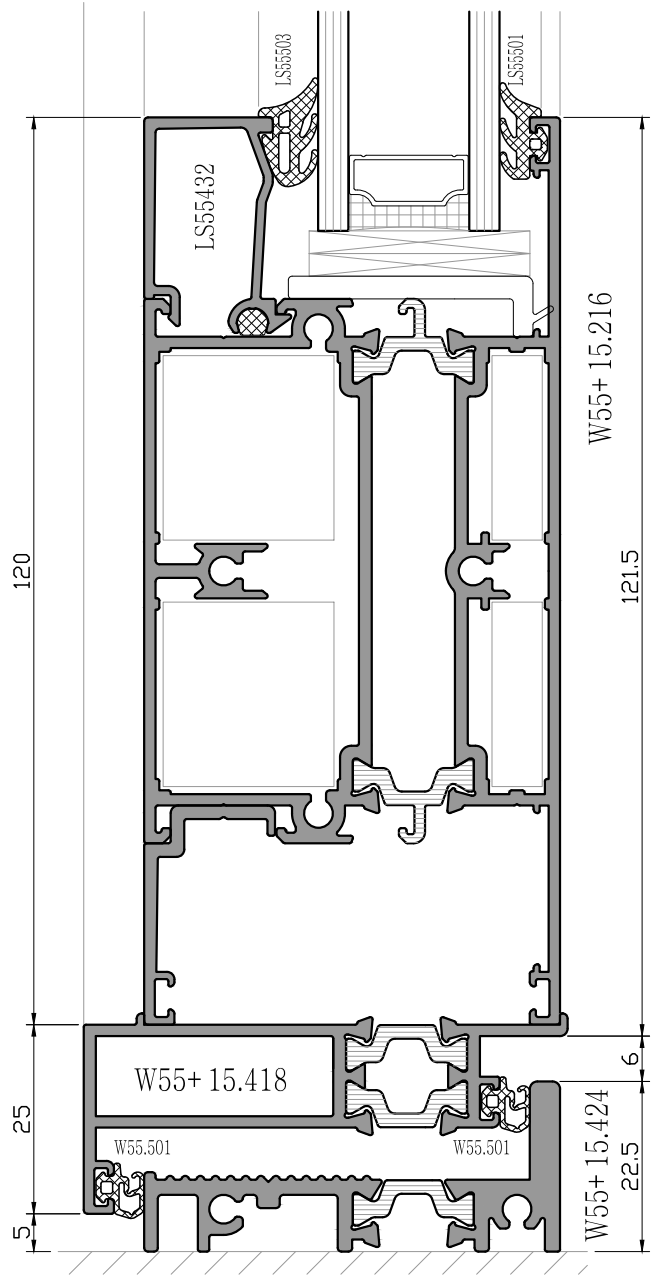
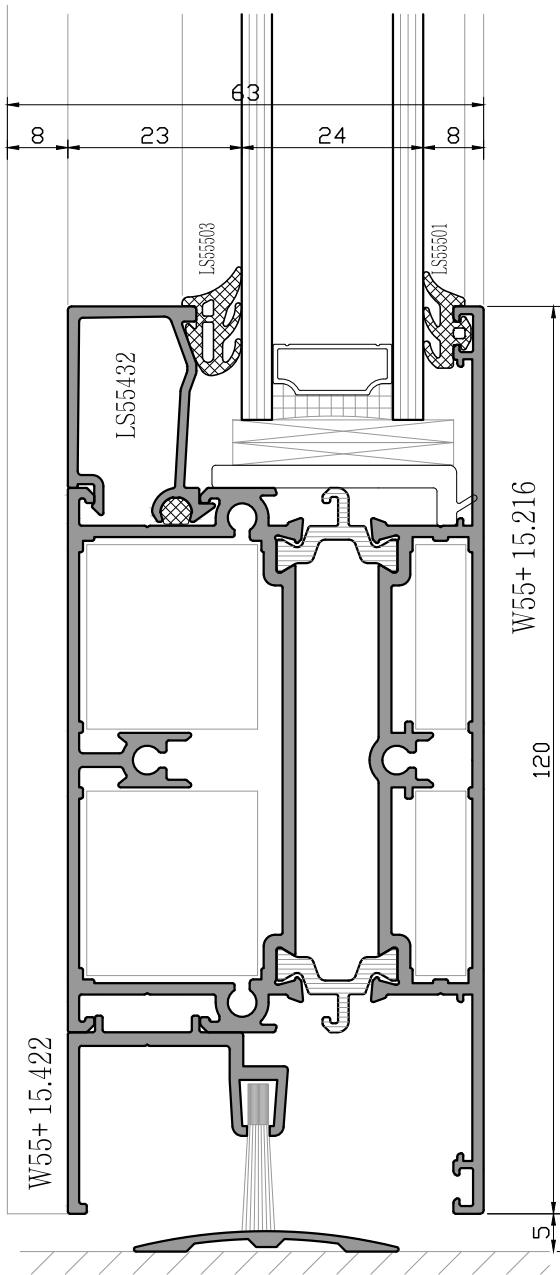
SİSTEM DETAYLARI
SYSTEM DETAILS



içe açılan kapı
inside opening door

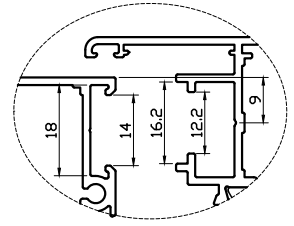
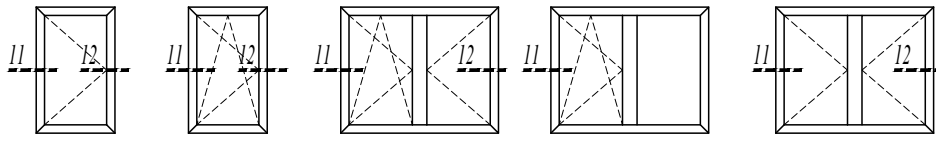


pvc groove section 9mm

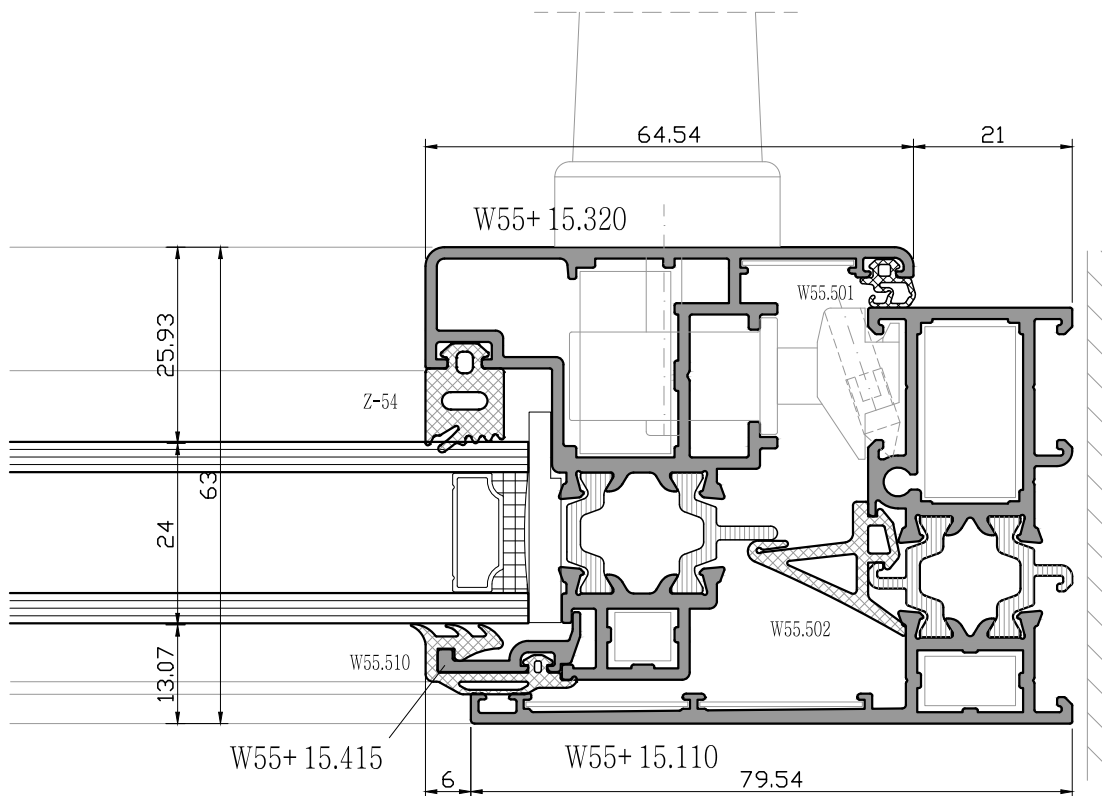
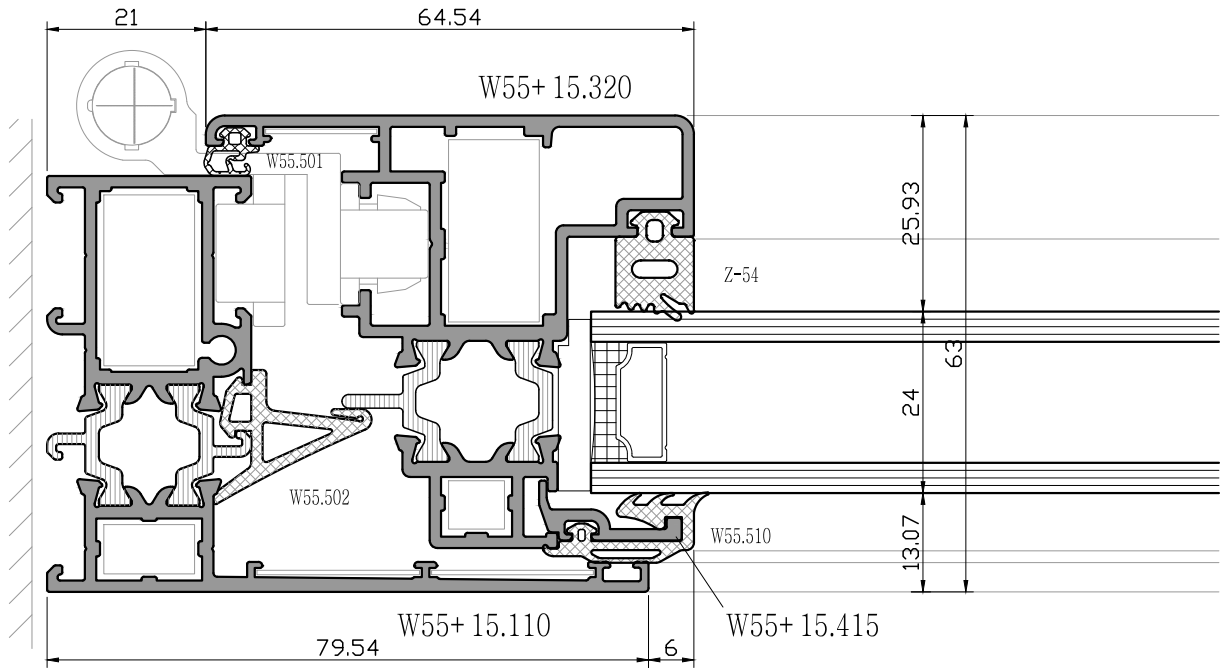


W 55+ YALITIMLI PENCERE VE KAPI SİSTEMİ INSULATED WINDOW AND DOOR SYSTEMS

SİSTEM DETAYLARI
SYSTEM DETAILS

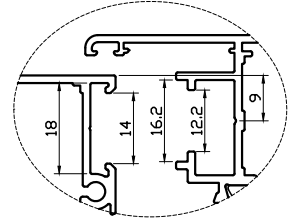
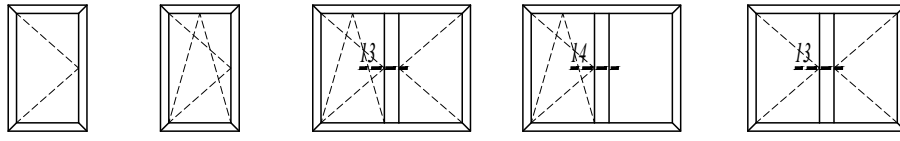


pvc groove section 9mm

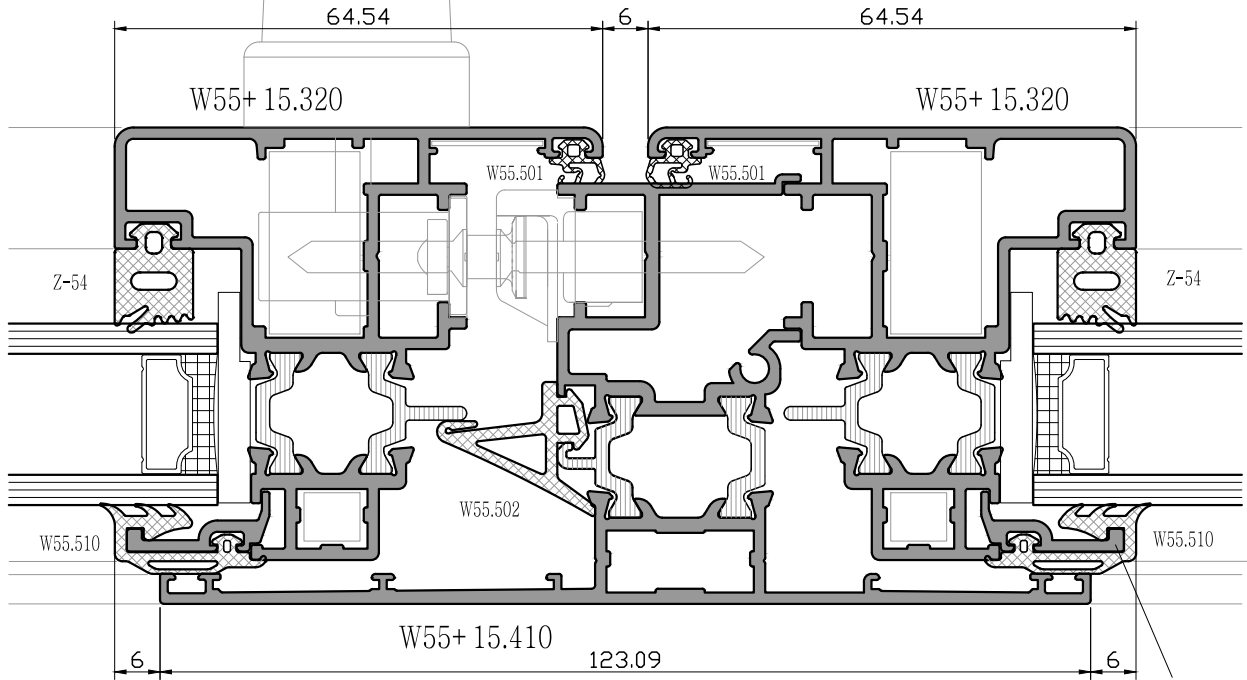


W 55+ YALITIMLI PENCERE VE KAPI SİSTEMİ INSULATED WINDOW AND DOOR SYSTEMS

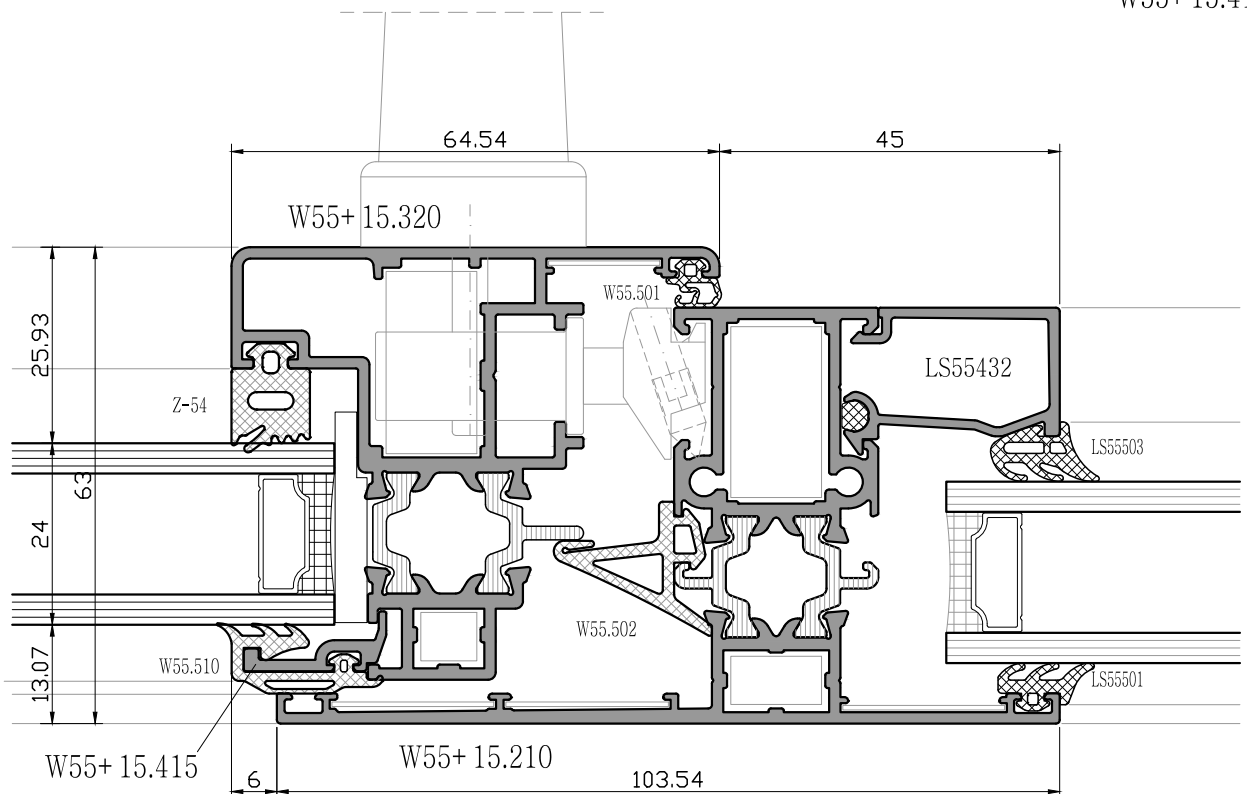
SİSTEM DETAYLARI
SYSTEM DETAILS



pvc groove section 9mm

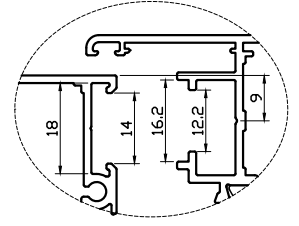
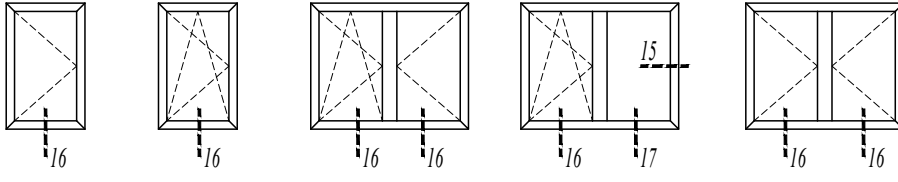


W55+ 15.415

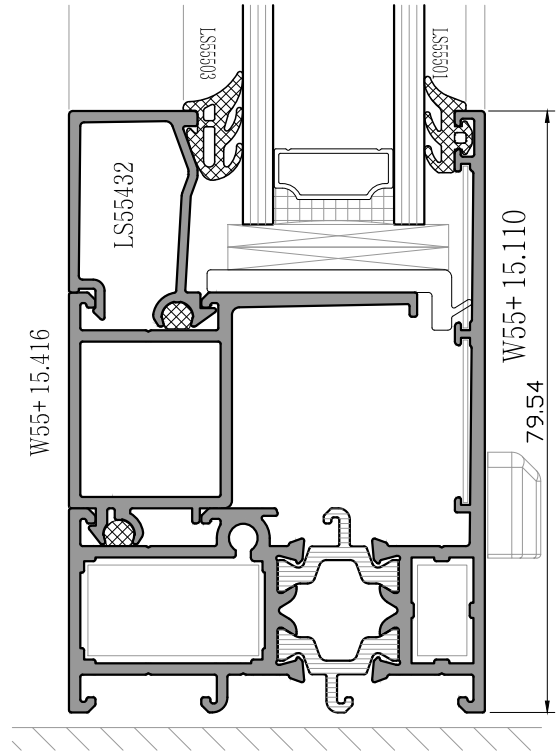
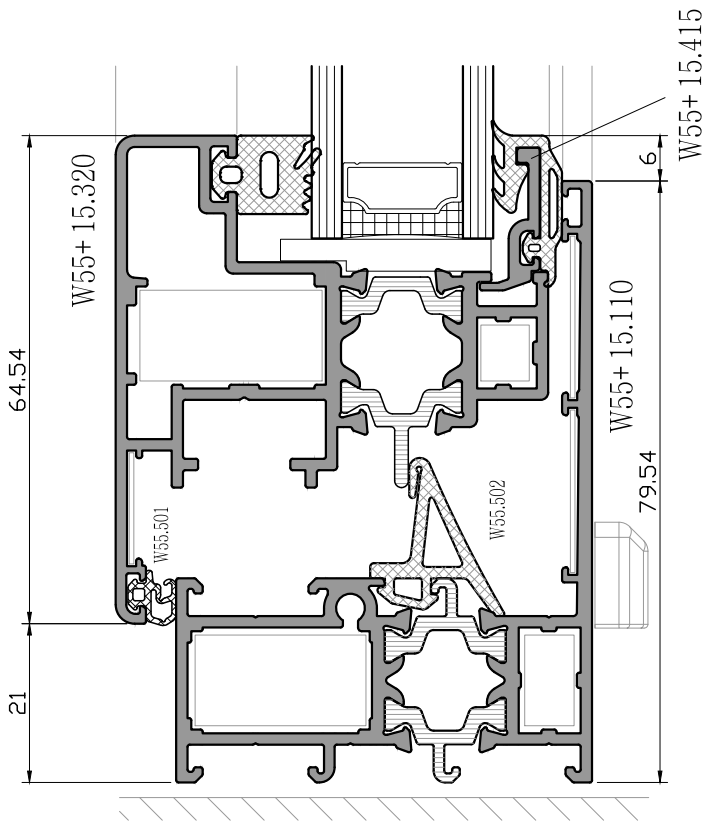
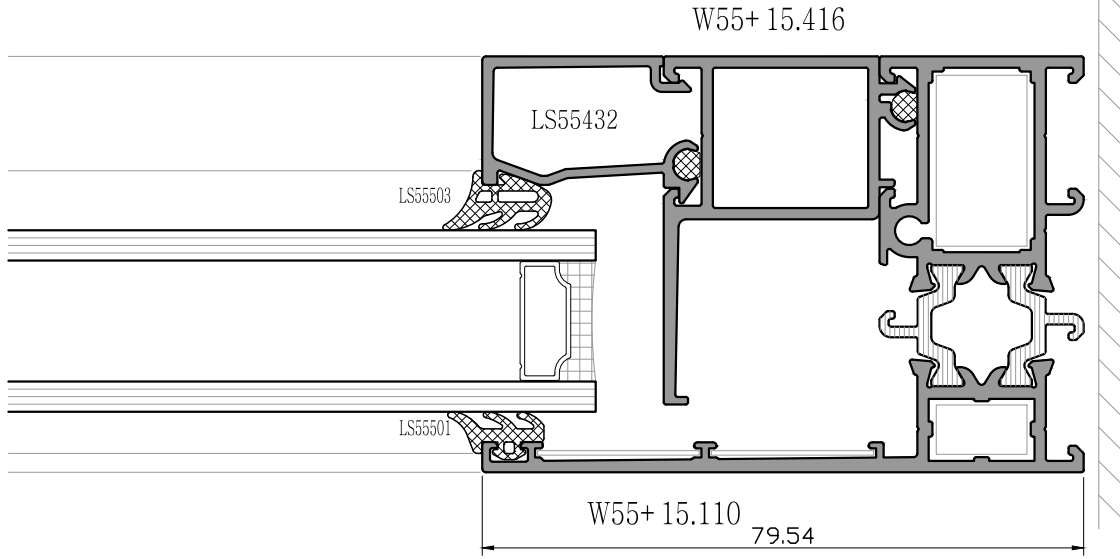


W 55+ YALITIMLI PENCERE VE KAPI SİSTEMİ INSULATED WINDOW AND DOOR SYSTEMS

SİSTEM DETAYLARI
SYSTEM DETAILS

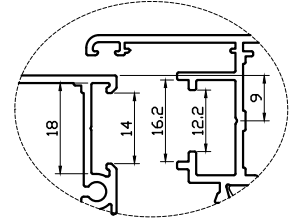
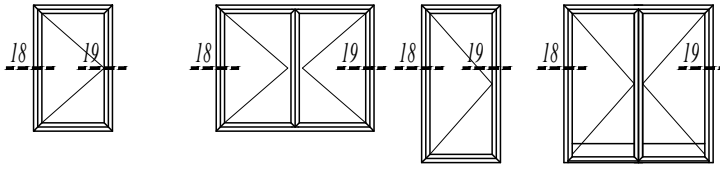


pvc groove section 9mm



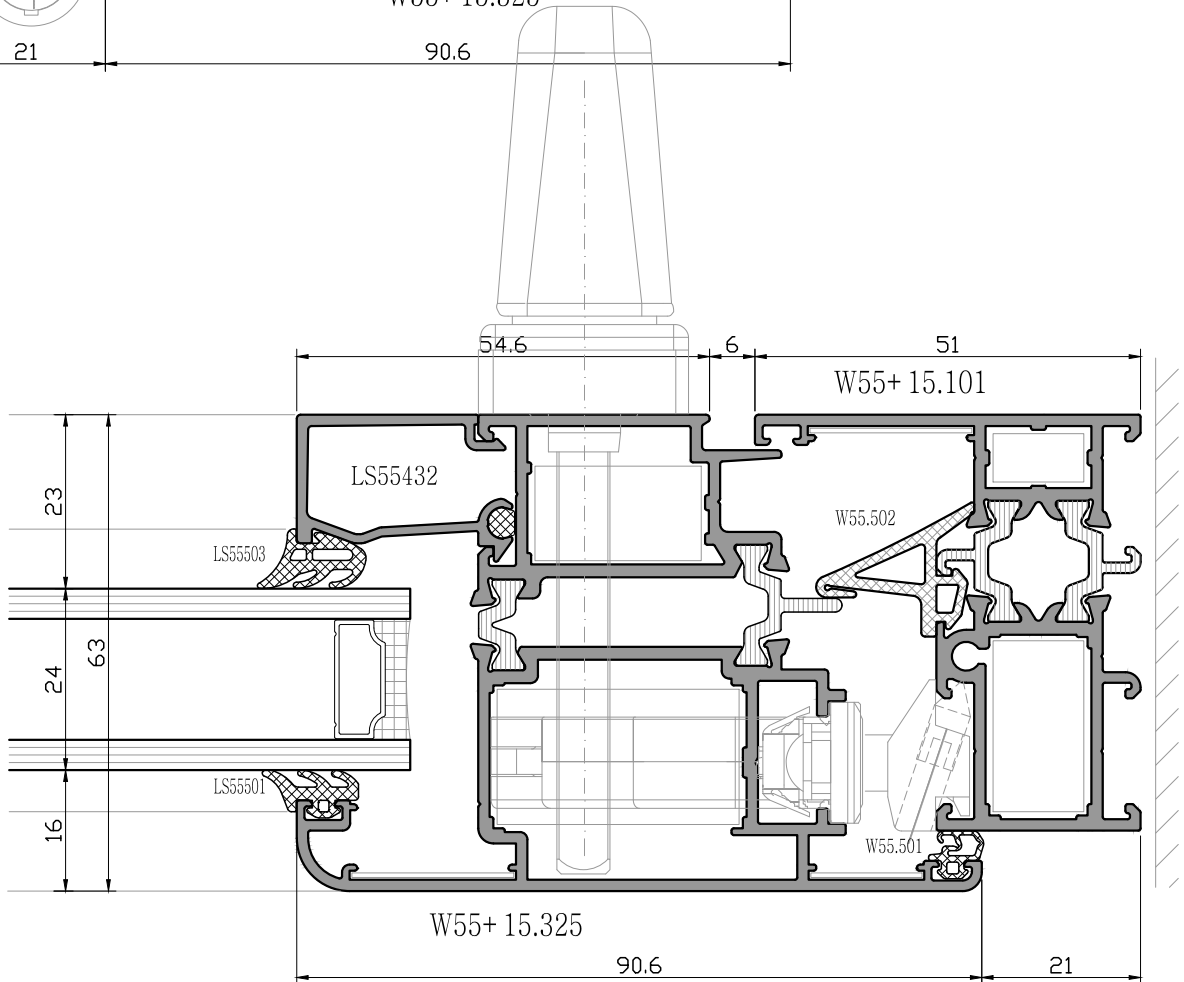
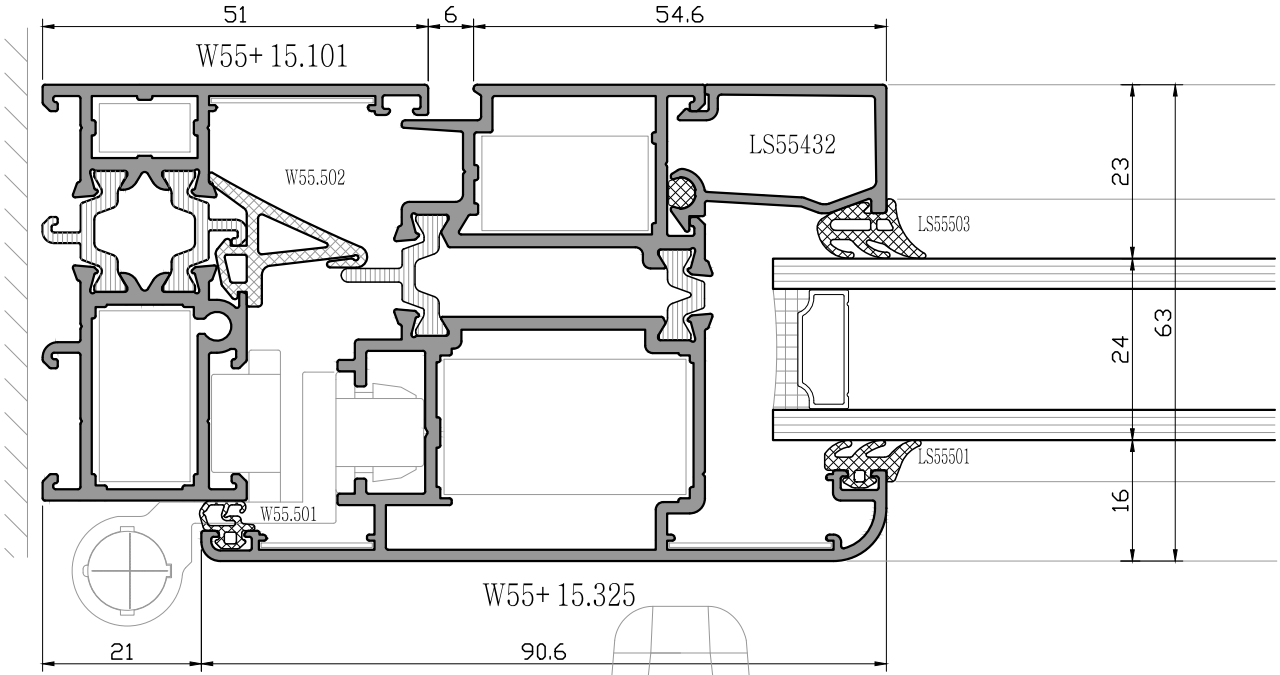
W 55+ YALITIMLI PENCERE VE KAPI SİSTEMİ INSULATED WINDOW AND DOOR SYSTEMS

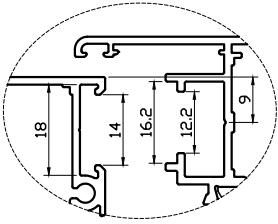
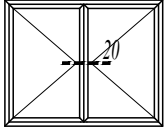
SİSTEM DETAYLARI
SYSTEM DETAILS



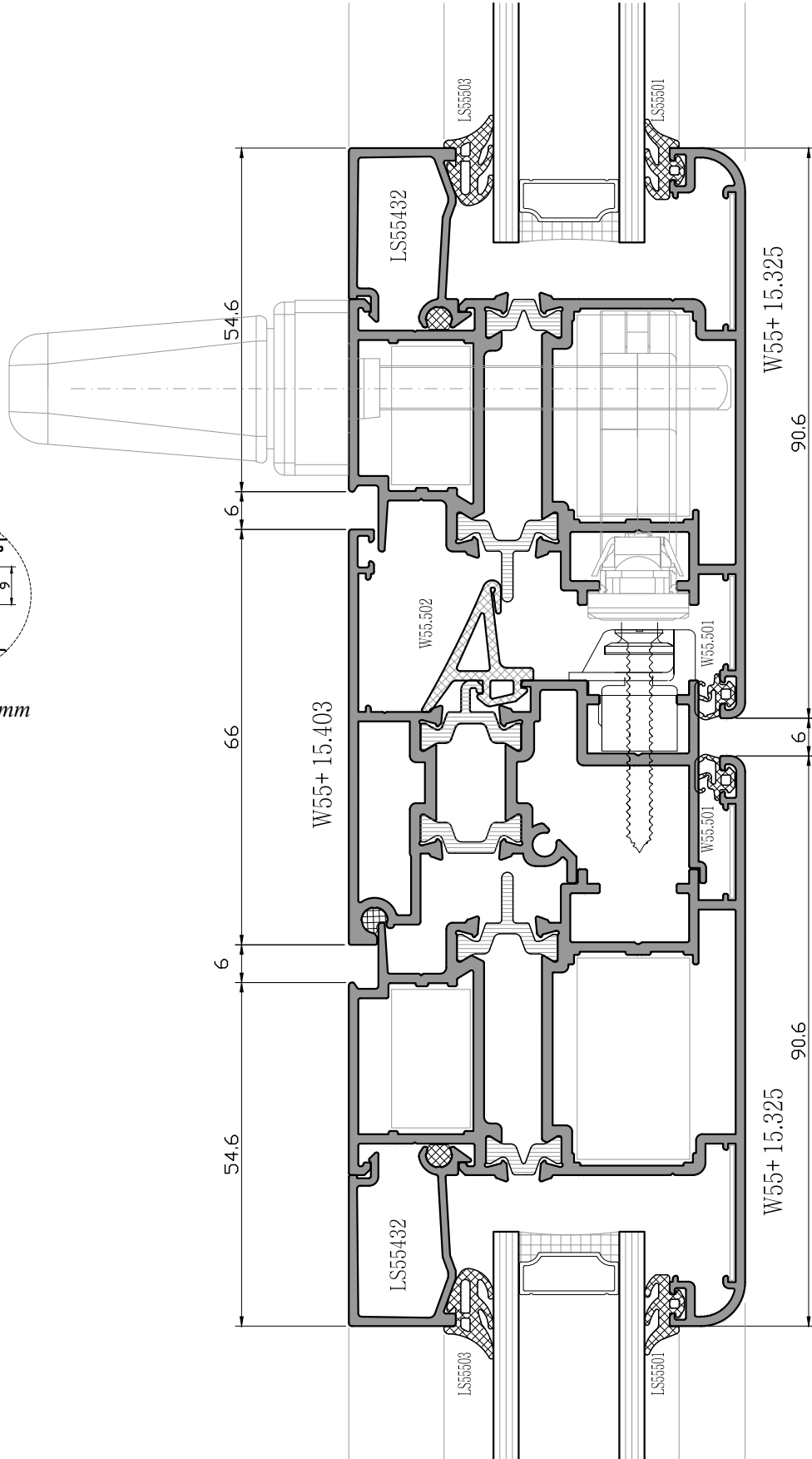
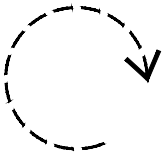
dışa açılan pencere
outward opening window

pvc groove section 9mm



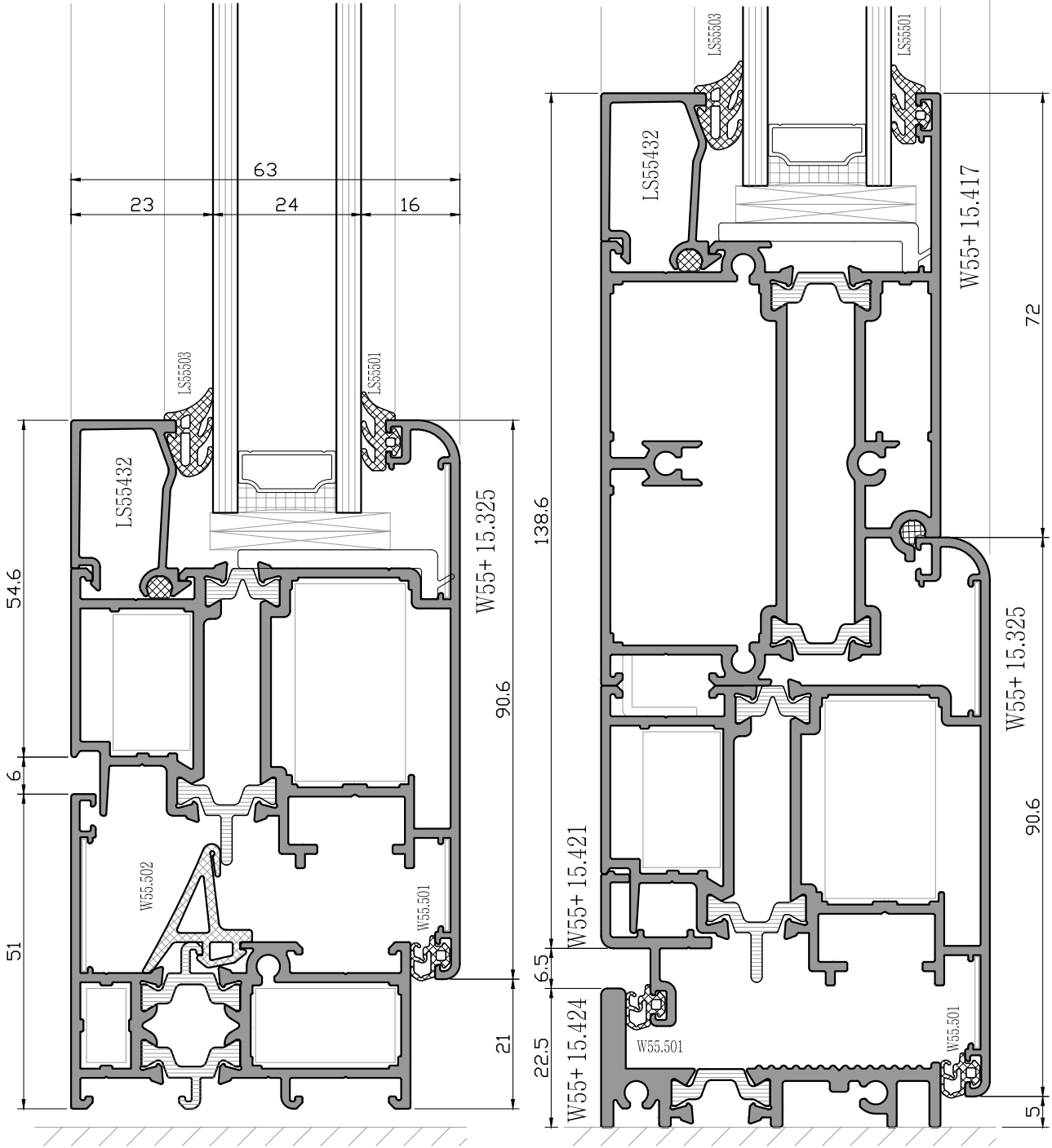
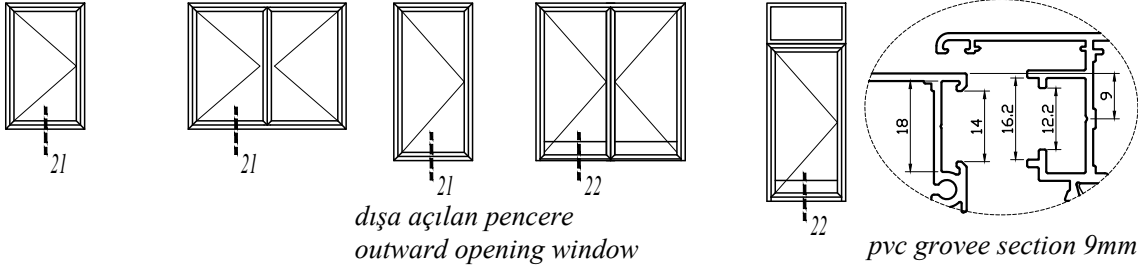


pvc groove section 9mm



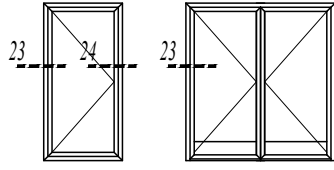
W 55+ YALITIMLI PENCERE VE KAPI SİSTEMİ INSULATED WINDOW AND DOOR SYSTEMS

SİSTEM DETAYLARI
SYSTEM DETAILS

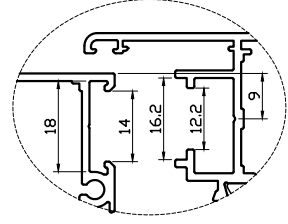


W 55+ YALITIMLI PENCERE VE KAPI SİSTEMİ INSULATED WINDOW AND DOOR SYSTEMS

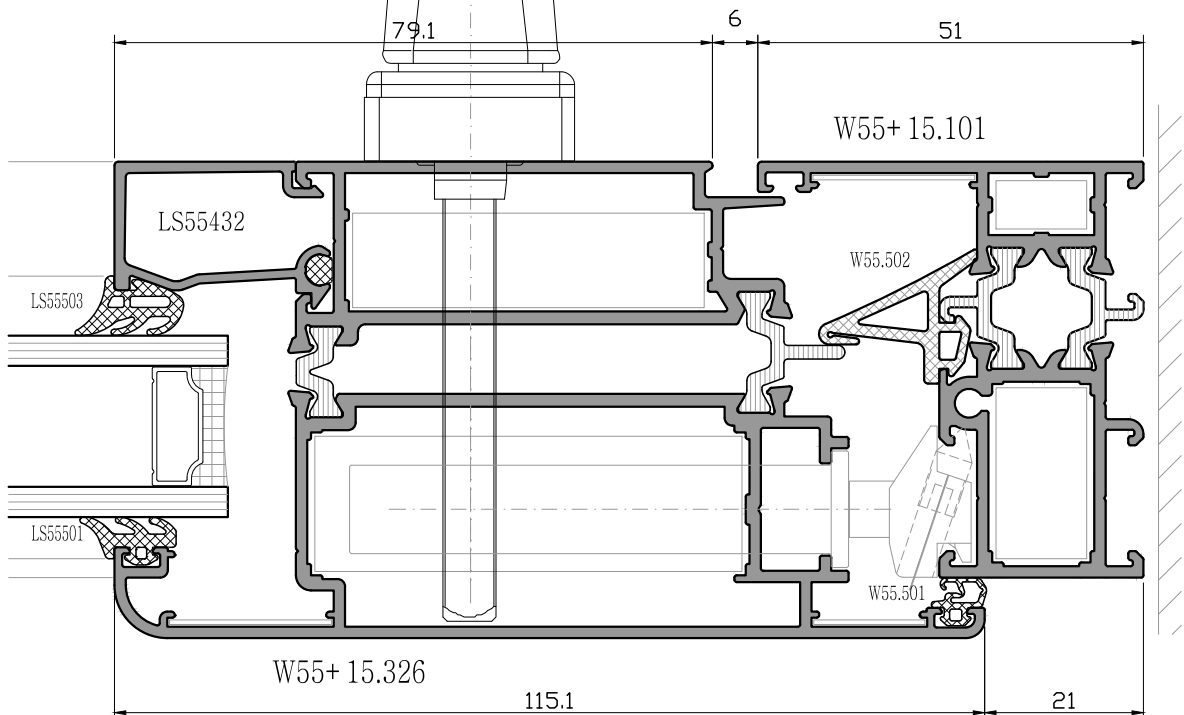
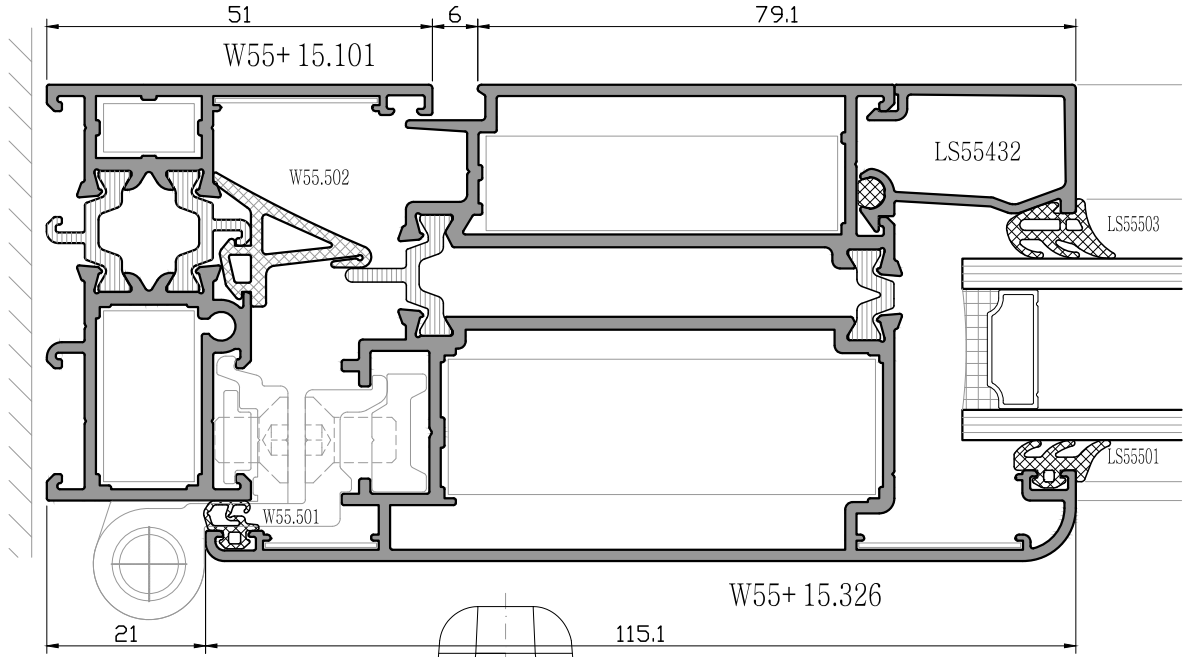
SİSTEM DETAYLARI
SYSTEM DETAILS



dışa açılan pencere
outward opening window

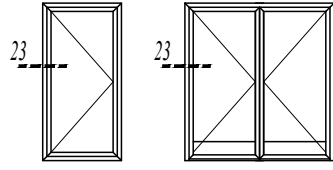


pvc groove section 9mm

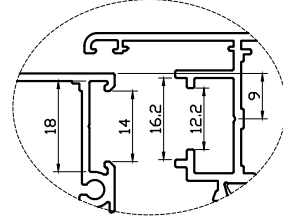


W 55+ YALITIMLI PENCERE VE KAPI SİSTEMİ INSULATED WINDOW AND DOOR SYSTEMS

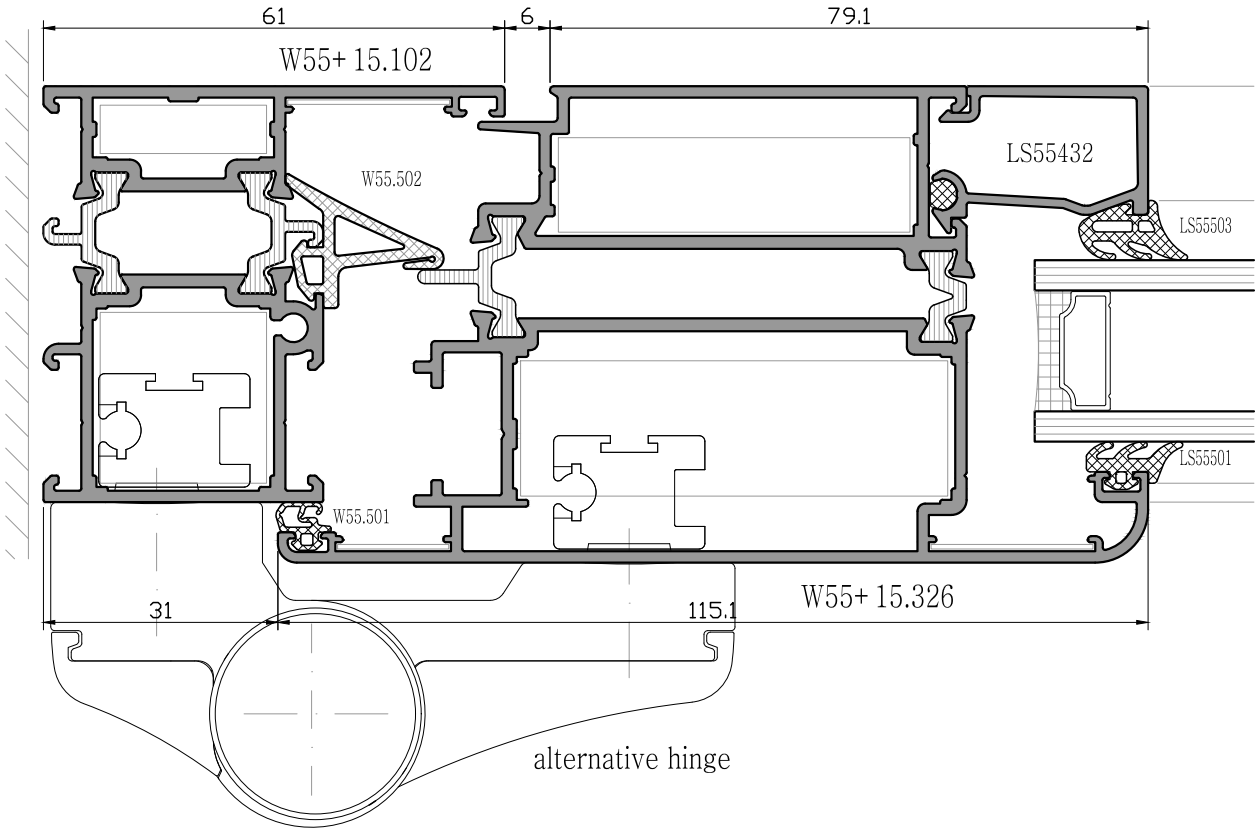
SİSTEM DETAYLARI
SYSTEM DETAILS

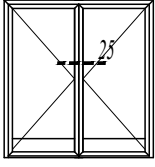


dışa açılan pencere
outward opening window

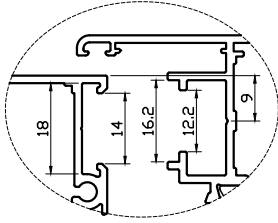


pvc groove section 9mm

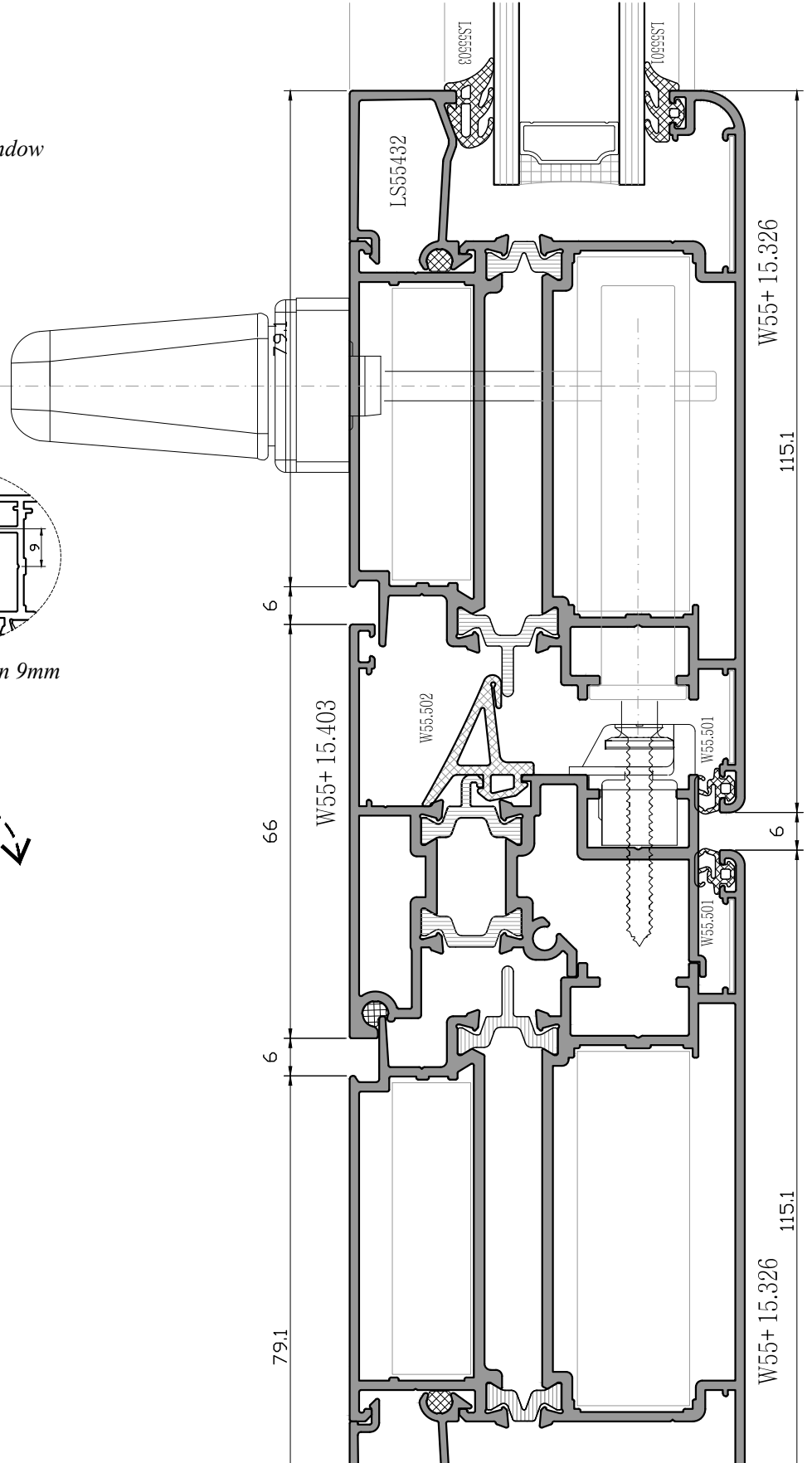
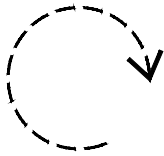




dışa açılan pencere
outward opening window

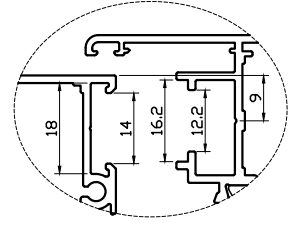
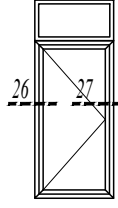


pvc groove section 9mm

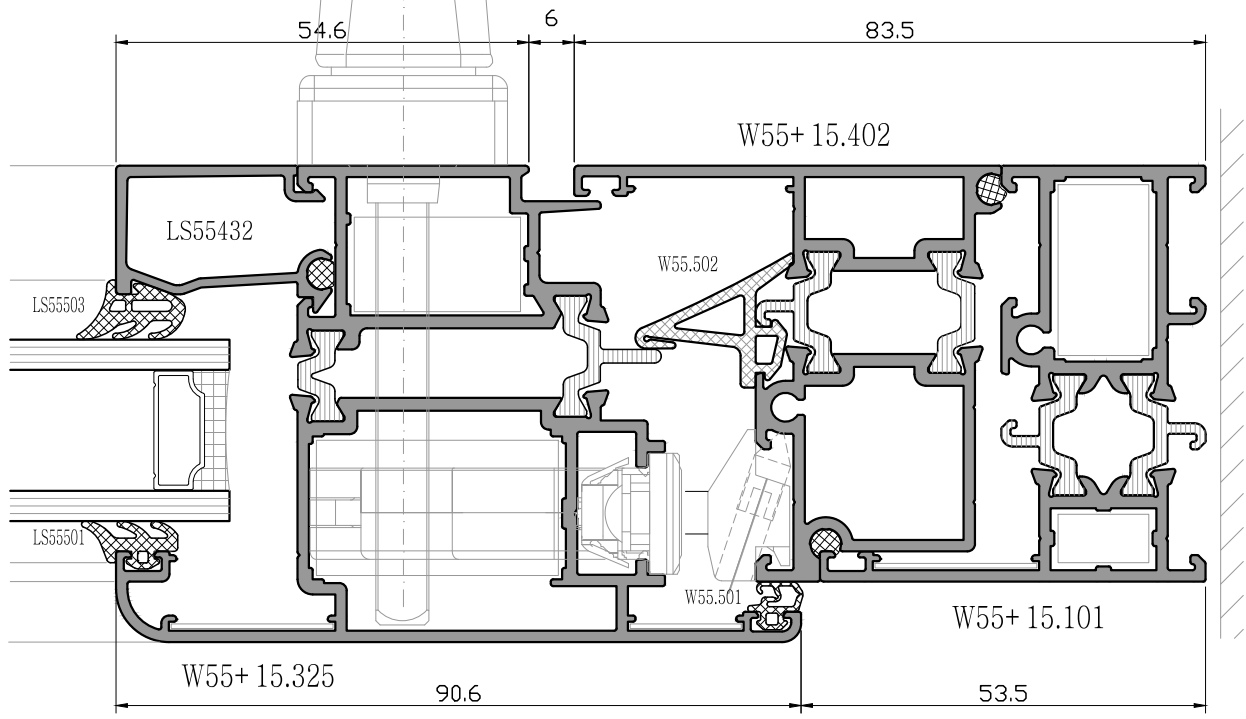
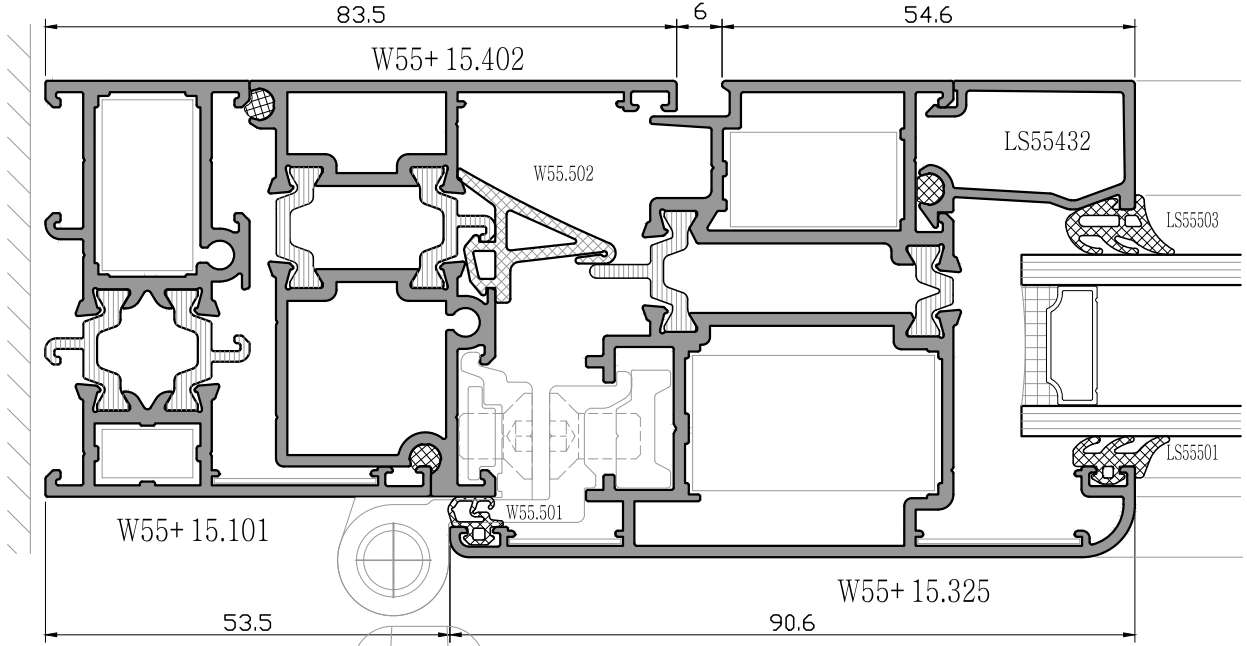


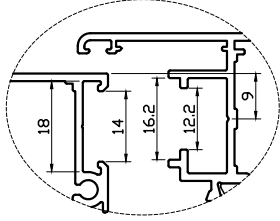
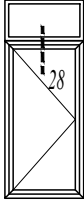
W 55+ YALITIMLI PENCERE VE KAPI SİSTEMİ
INSULATED WINDOW AND DOOR SYSTEMS

SİSTEM DETAYLARI
SYSTEM DETAILS

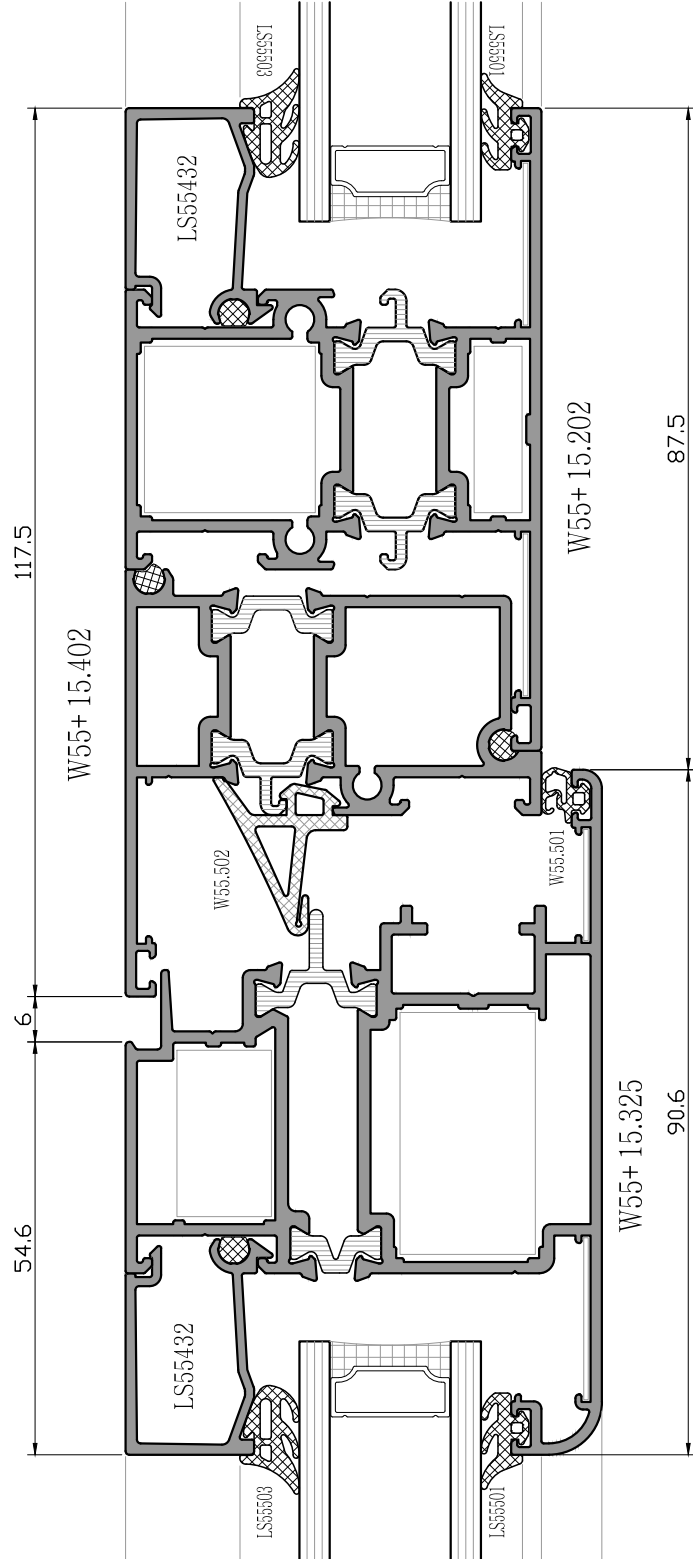


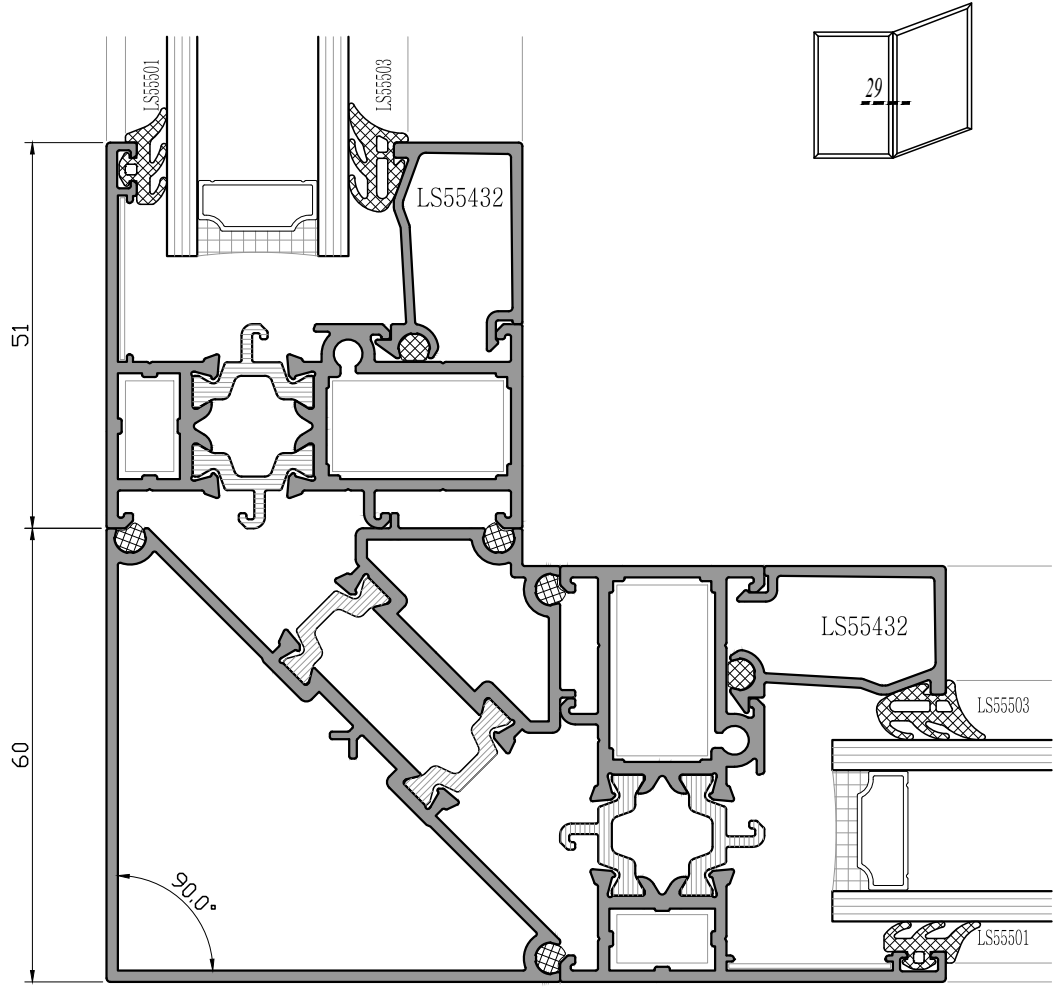
pvc groove section 9mm





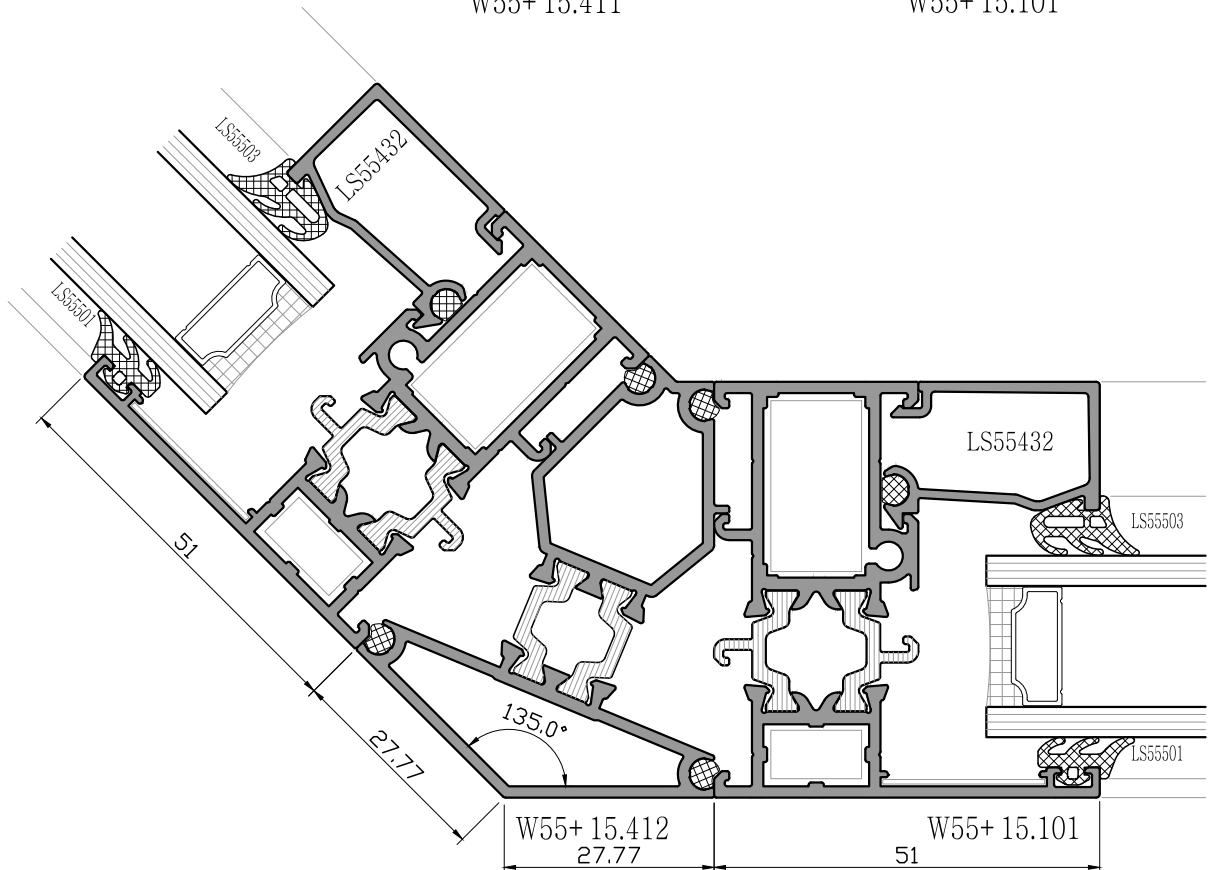
pvc groove section 9mm





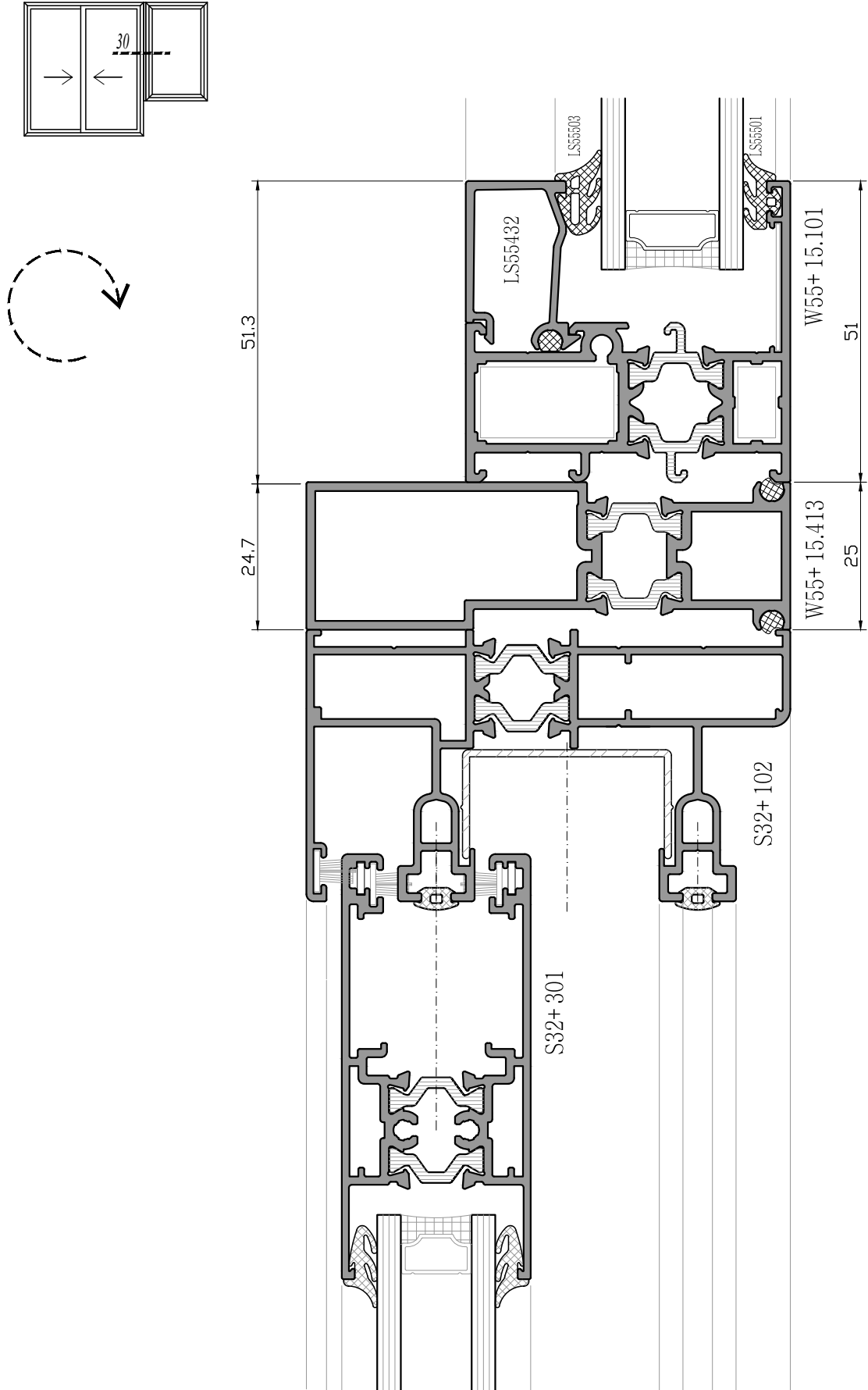
W55+ 15.411

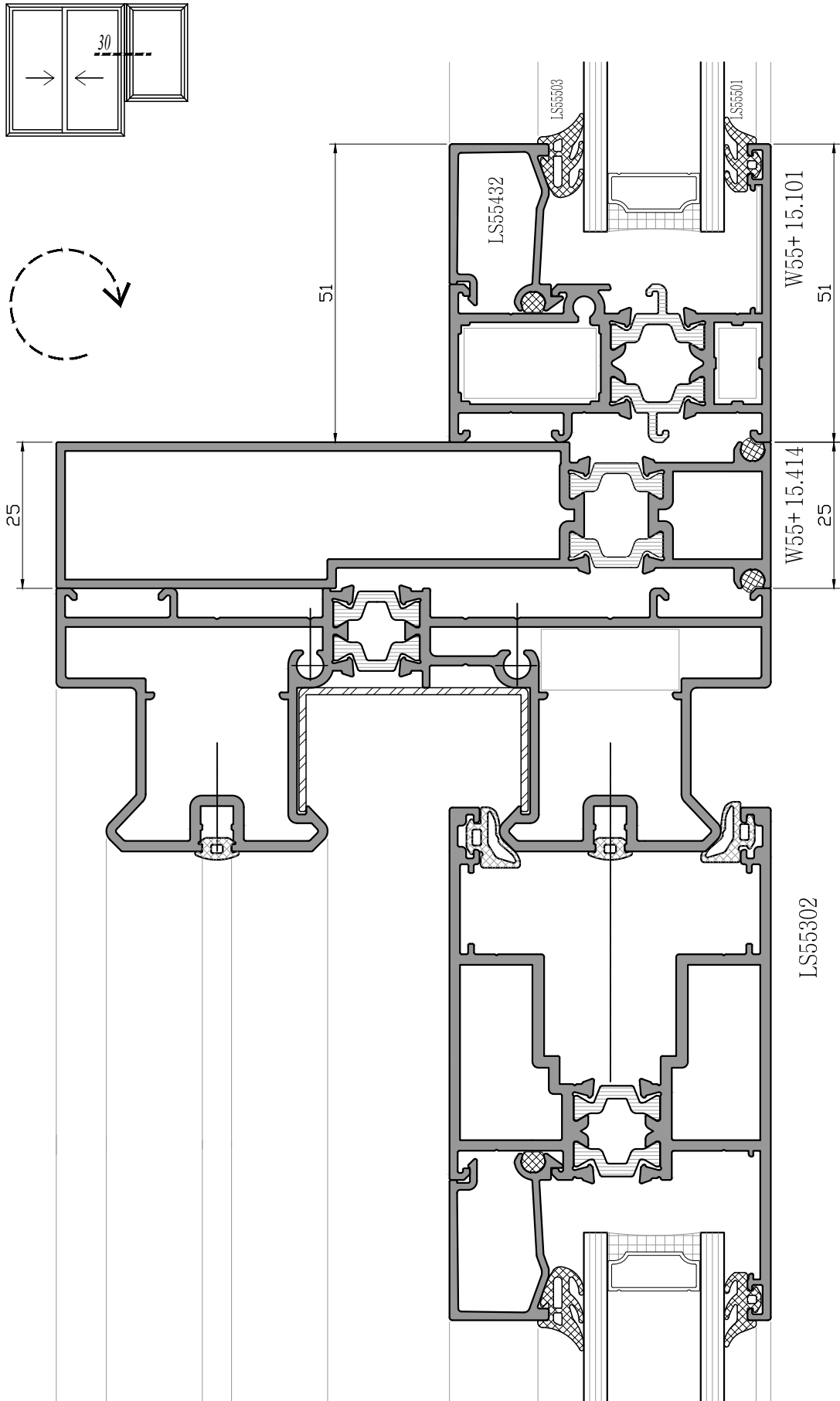
W55+ 15.101



W55+ 15.412
 27.77

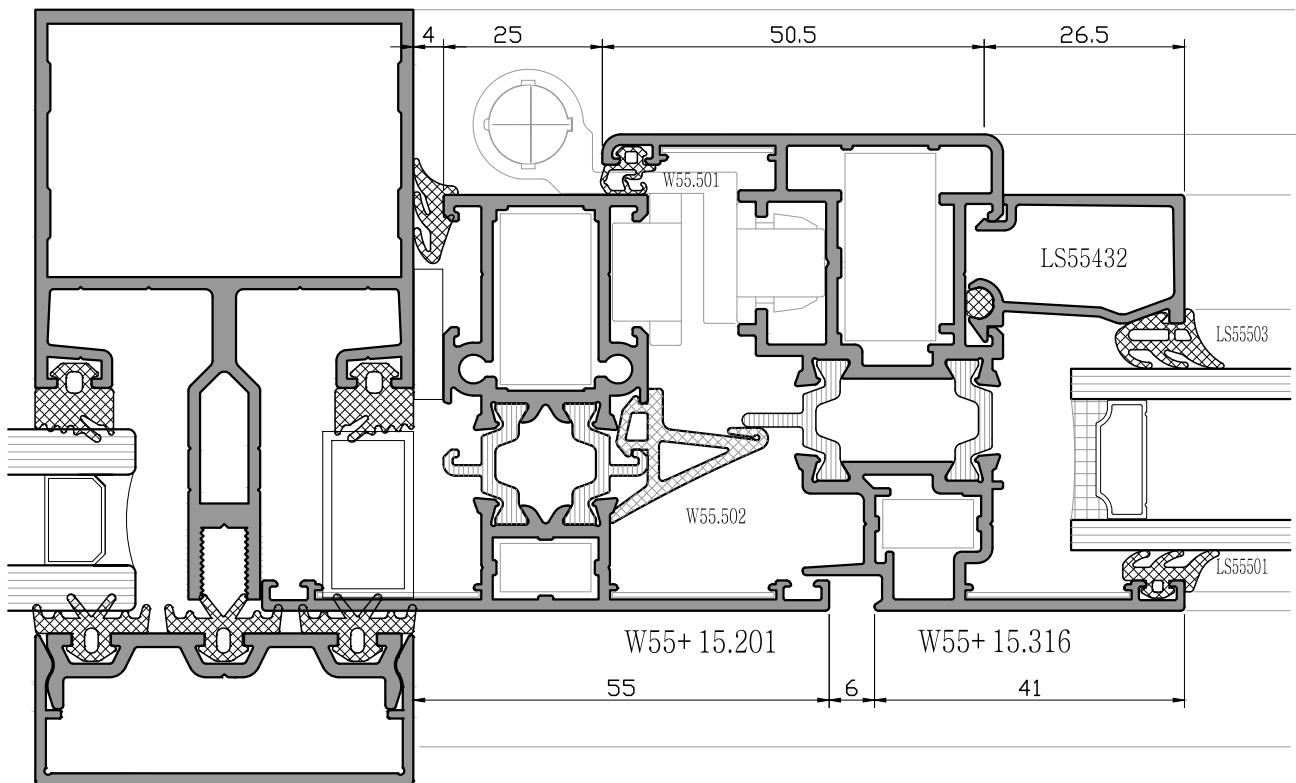
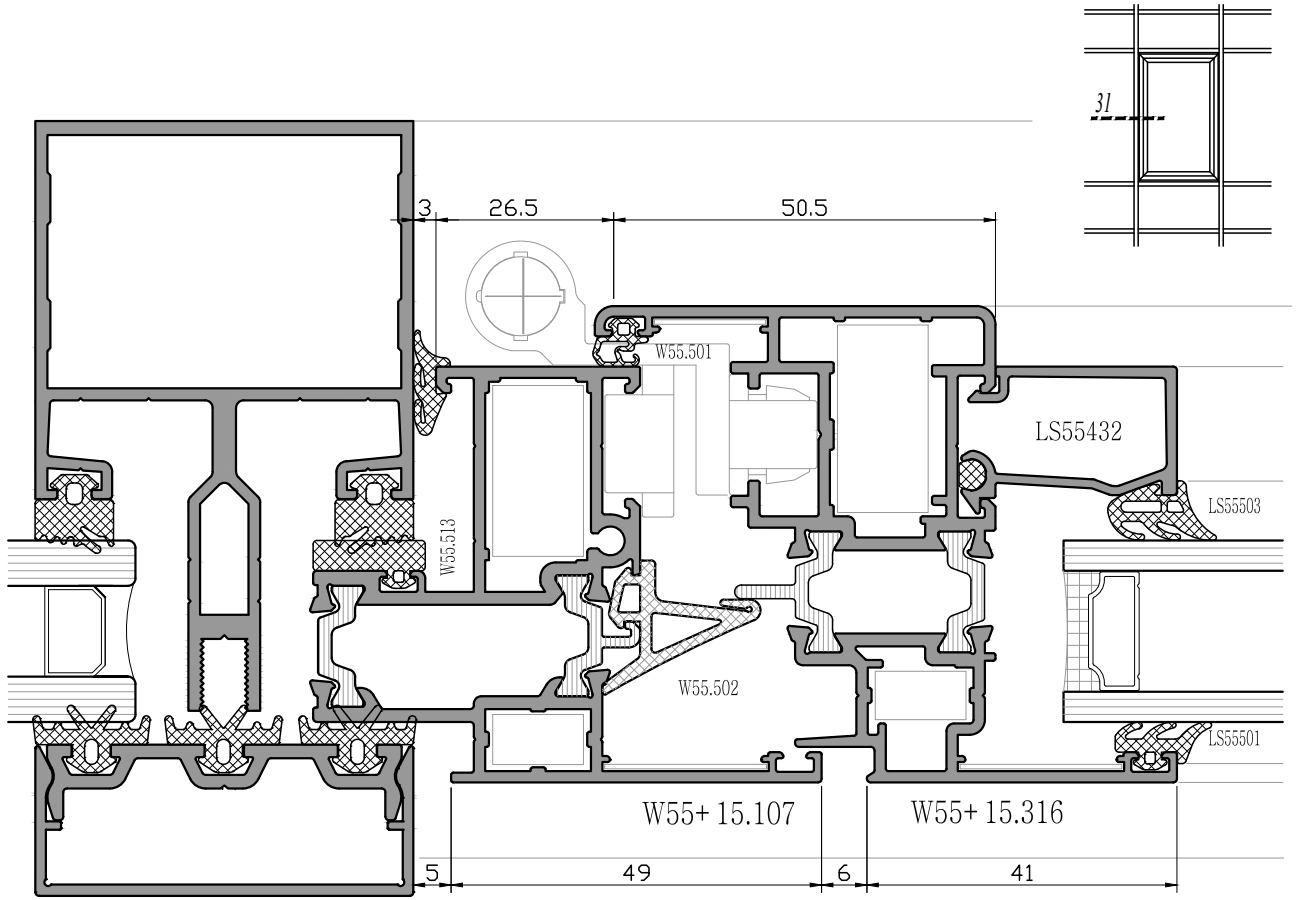
W55+ 15.101
 51





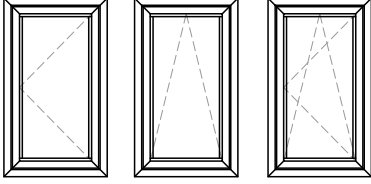
W 55+ YALITIMLI PENCERE VE KAPI SİSTEMİ
INSULATED WINDOW AND DOOR SYSTEMS

SİSTEM DETAYLARI
SYSTEM DETAILS



Normal / Vasistas / Çift açılım pencere

Normal / Tilt / Tilt & Turn window



$$LK = LKA + 12$$

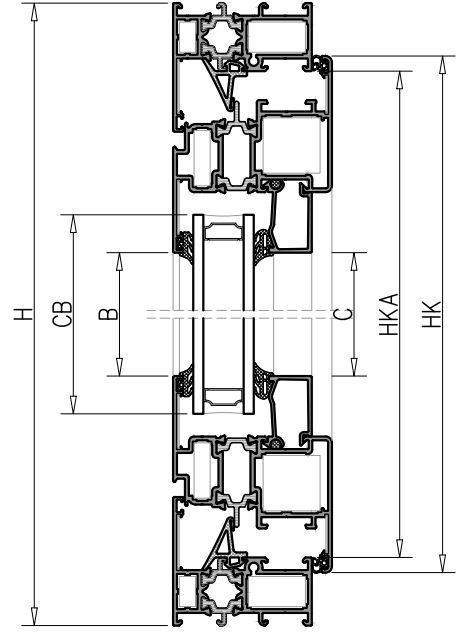
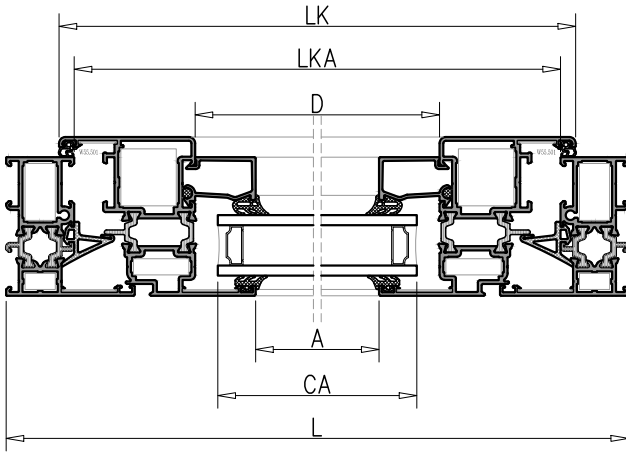
$$HK = HKA + 12$$

$$D = A + 48$$

$$C = B$$

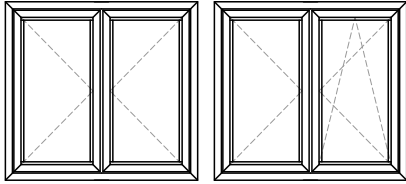
$$CA = A + 30$$

$$CB = B + 30$$



Normal / Çift açılım pencere

Normal / Tilt & Turn window



$$LK = (LKA/2) + 3$$

$$HK = HKA + 12$$

$$D = A + 48$$

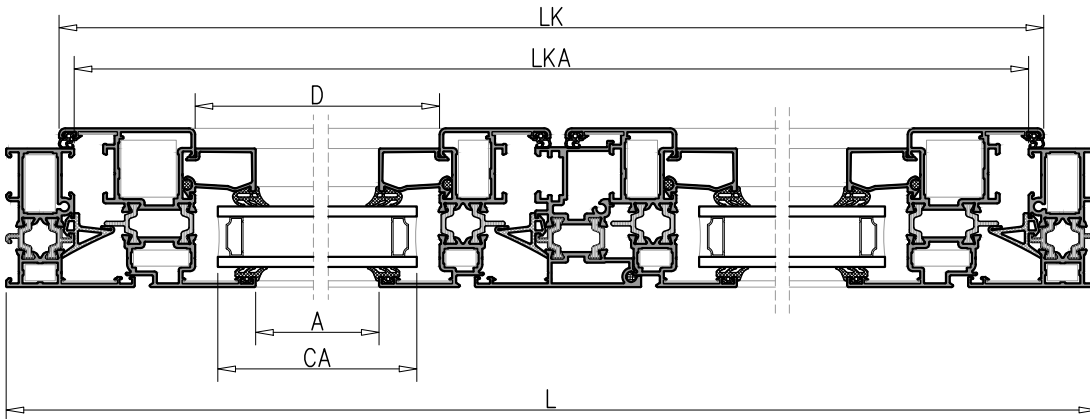
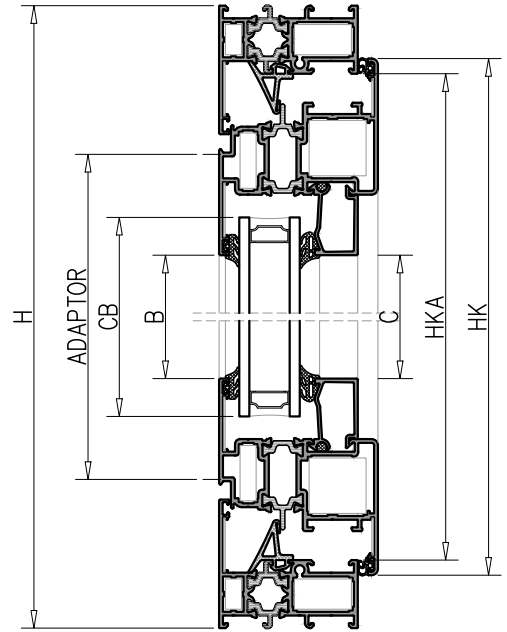
$$C = B$$

$$CA = A + 30$$

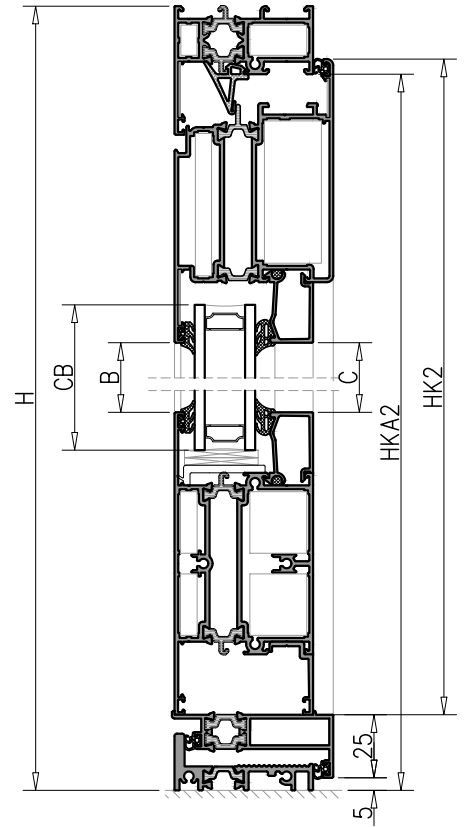
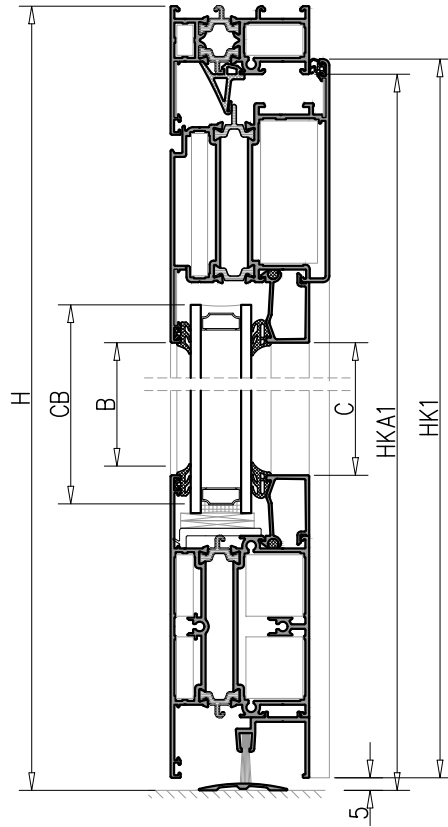
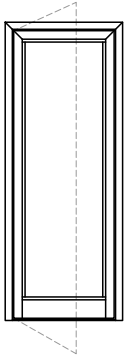
$$CB = B + 30$$

$$ADAPTOR = HKA - 64$$

- L dograma eni
- H dograma boyu
- LK kanat yatay ölçüsü
- HK kanat dikey ölçüsü
- LKA kasa yatay ara ölçü
- HKA kasa dikey ara ölçü
- A kanat yatay ara ölçü
- B kanat dikey ara ölçü
- D çita yatay ölçü
- C çita dikey ölçü
- CA cam yatay ölçüsü
- CB cam dikey ölçüsü

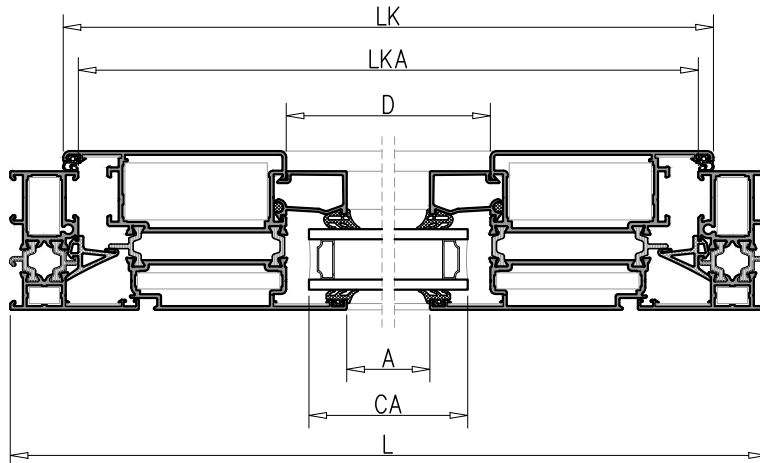


İçe açılan kapı
Inside opening door

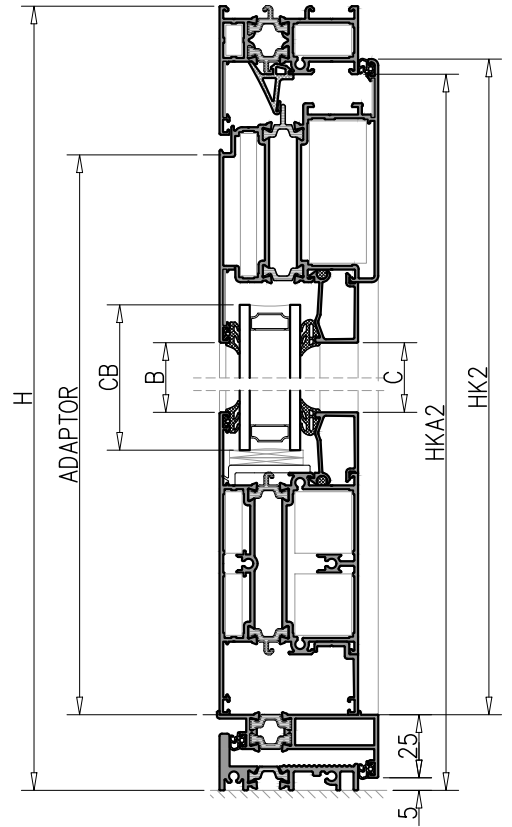
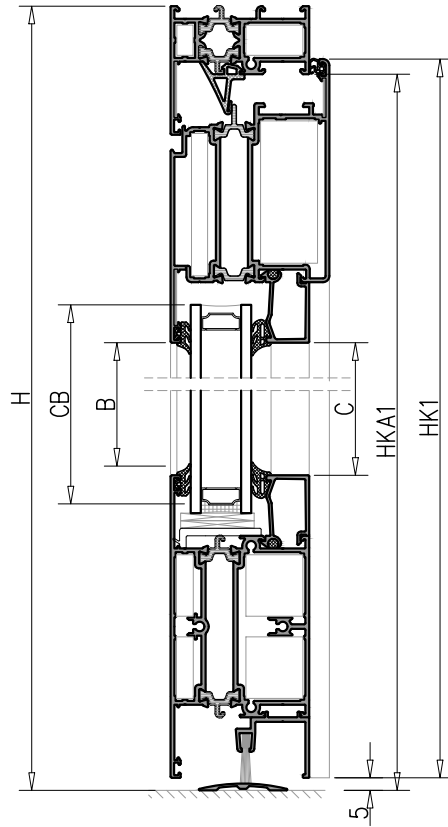
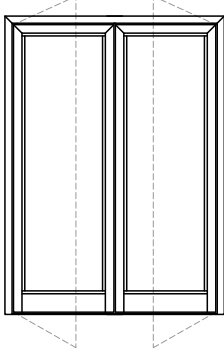


- L dograma eni
- H dograma boyu
- LK kanat yatay ölçüsü
- HK kanat düşey ölçüsü
- LKA kasa yatay ara ölçü
- HKA kasa düşey ara ölçü
- A kanat yatay ara ölçü
- B kanat düşey ara ölçü
- D çita yatay ölçü
- C çita düşey ölçü
- CA cam yatay ölçüsü
- CB cam düşey ölçüsü

$$\begin{aligned} LK &= LKA + 12 \\ HK1 &= HKA1 + 1 \\ HK2 &= HKA1 - 24 \\ D &= A + 48 \\ C &= B \\ CA &= A + 30 \\ CB &= B + 30 \end{aligned}$$

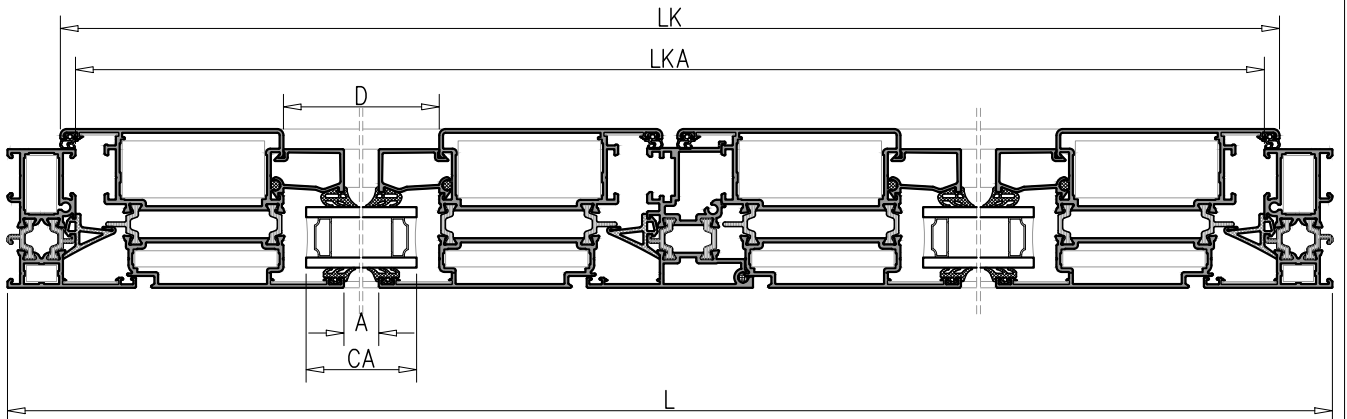


Çift kanat içe açılan kapı
Double vent inside opening door



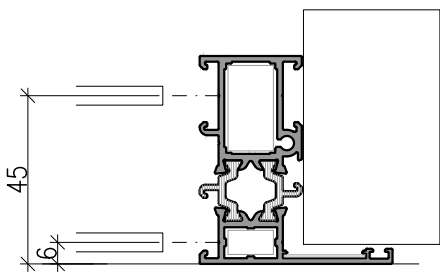
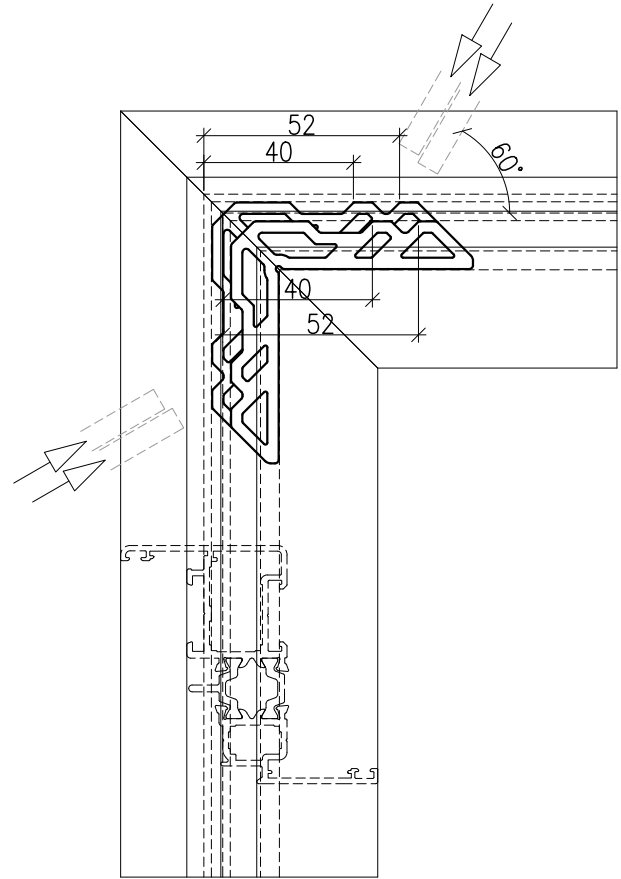
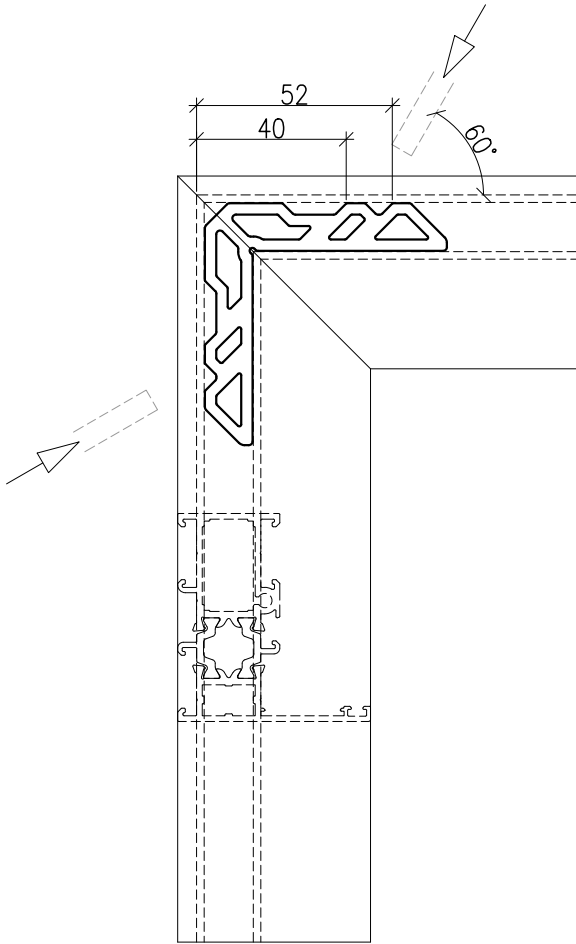
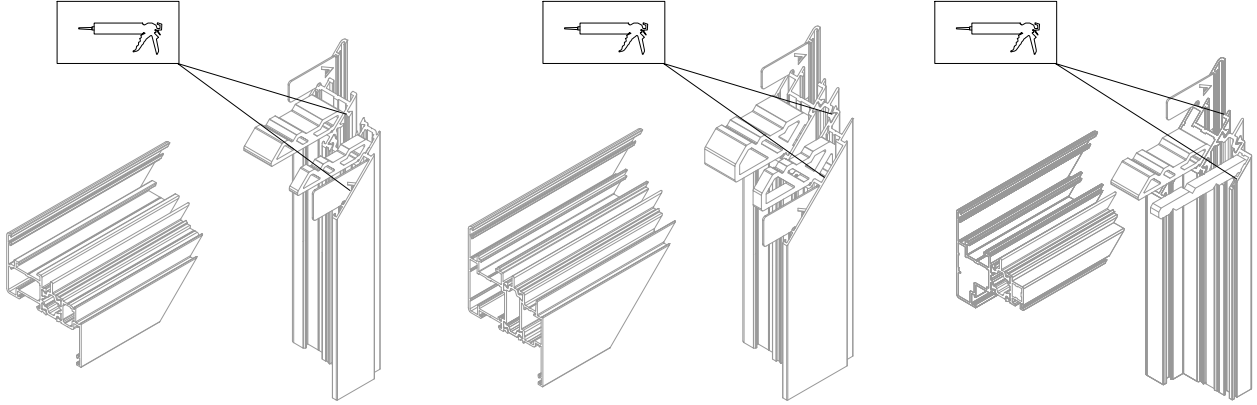
- L dograma eni
H dograma boyu
LK kanat yatay ölçüsü
HK kanat düşey ölçüsü
LKA kasa yatay ara ölçü
HKA kasa düşey ara ölçü
A kanat yatay ara ölçü
B kanat düşey ara ölçü
D çita yatay ölçü
C çita düşey ölçü
CA cam yatay ölçüsü
CB cam düşey ölçüsü

$$\begin{aligned} LK &= (LKA/2) + 3 \\ HK1 &= HKA1 + 1 \\ HK2 &= HKA1 - 24 \\ D &= A + 48 \\ C &= B \\ CA &= A + 30 \\ CB &= B + 30 \\ ADAPTOR &= HKA2 - 62 \end{aligned}$$

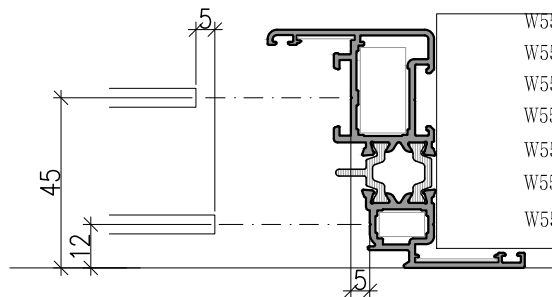


W 55+ YALITIMLI PENCERE VE KAPI SİSTEMİ INSULATED WINDOW AND DOOR SYSTEMS

KESİM-MONTAJ ÇİZİMLERİ
CUTTING-ASSEMBLY DRAWING



W55+ 15.101 W55+ 15.110 W55+ 15.204
W55+ 15.102 W55+ 15.201 W55+ 15.210
W55+ 15.103 W55+ 15.202
W55+ 15.106 W55+ 15.203

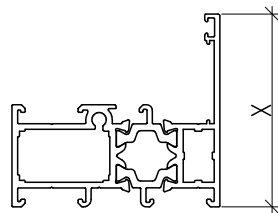
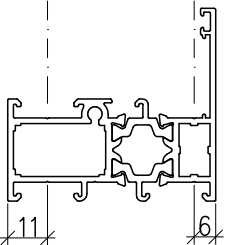
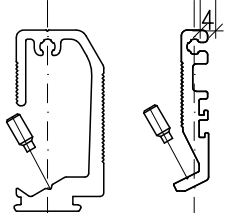
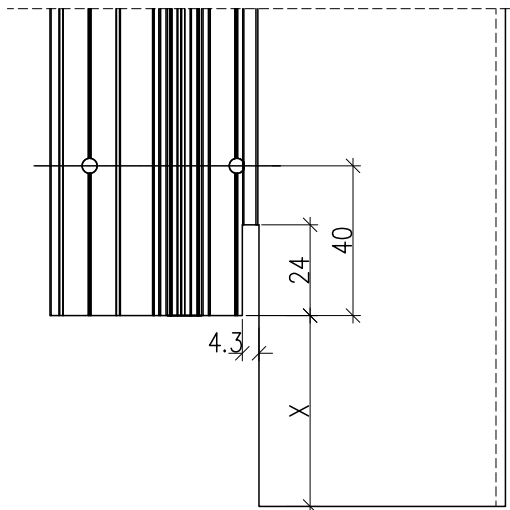
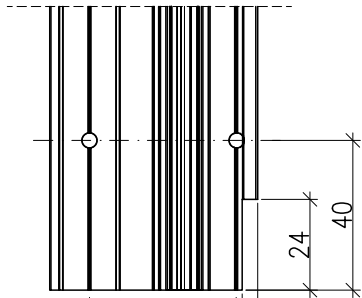
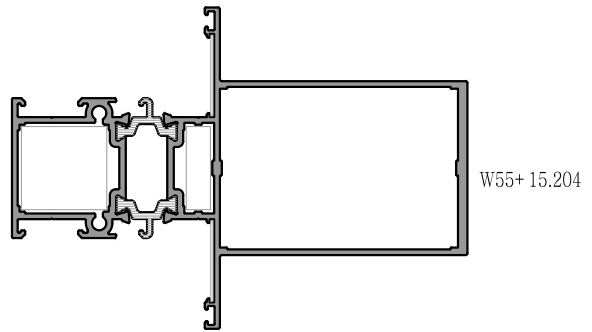
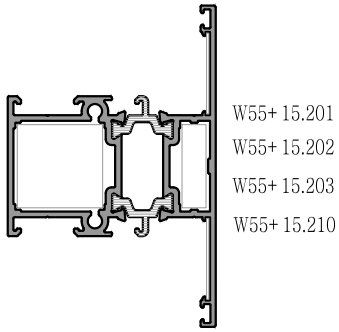
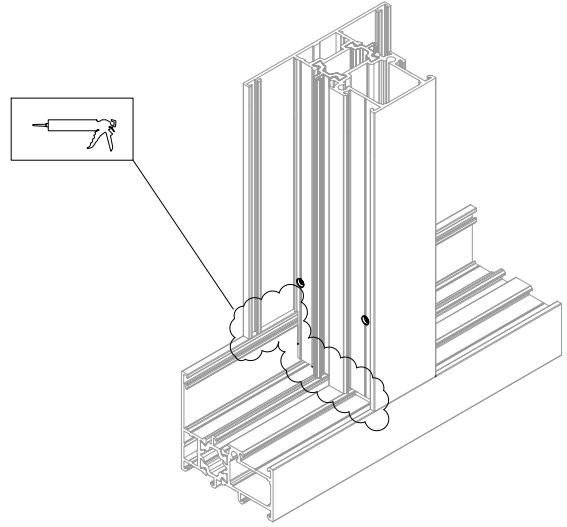
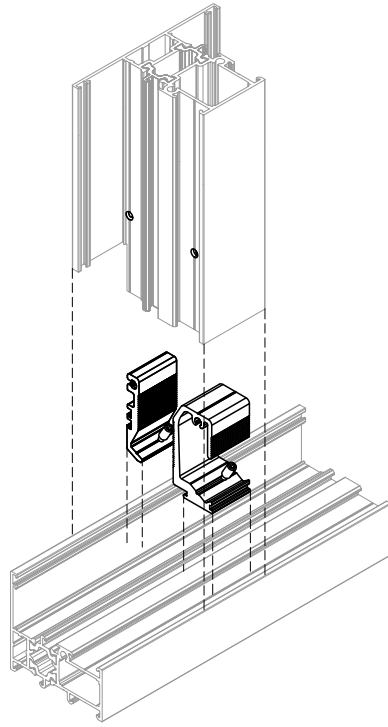


W55+ 15.301 W55+ 15.317
W55+ 15.302 W55+ 15.318
W55+ 15.303 W55+ 15.319
W55+ 15.304 W55+ 15.325
W55+ 15.310 W55+ 15.326
W55+ 15.311
W55+ 15.316

W 55+

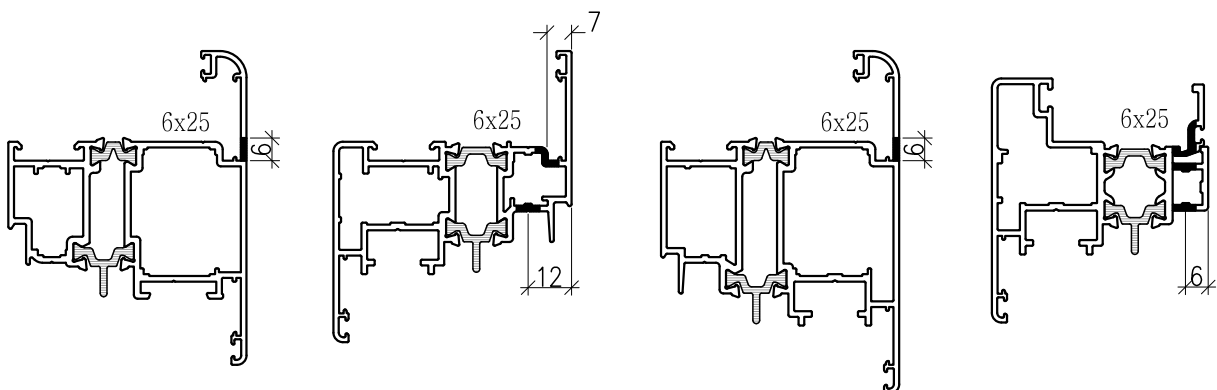
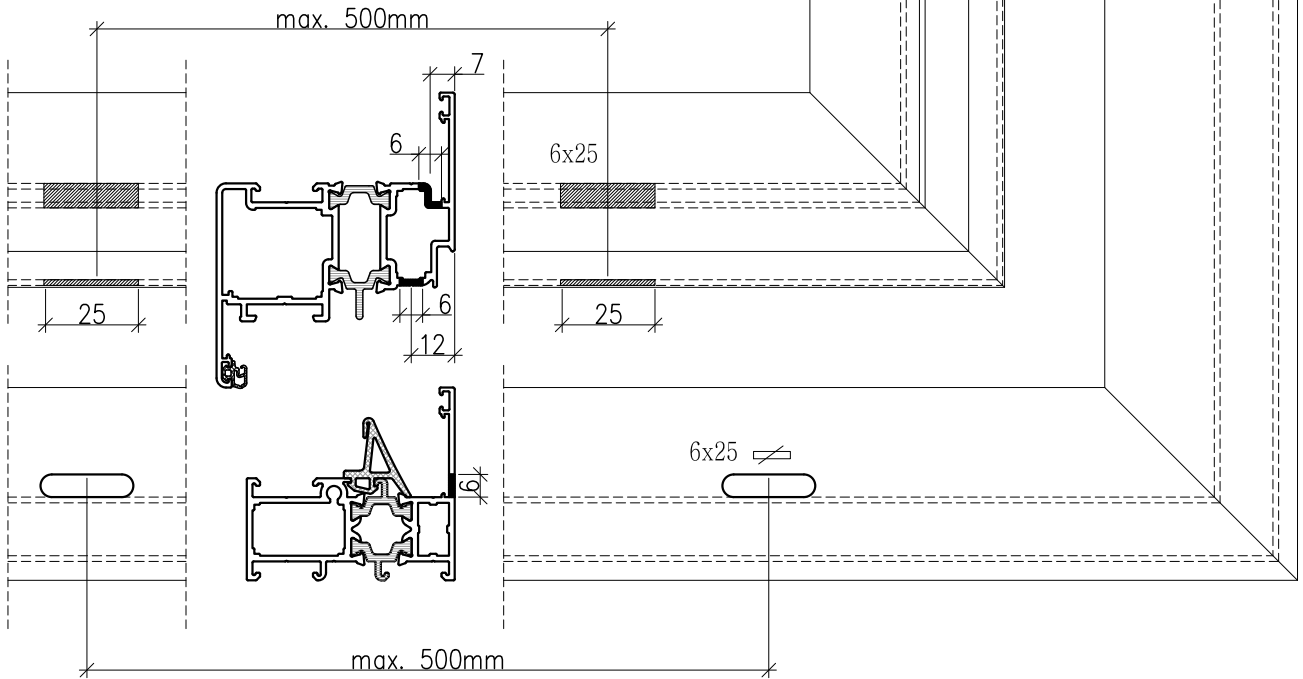
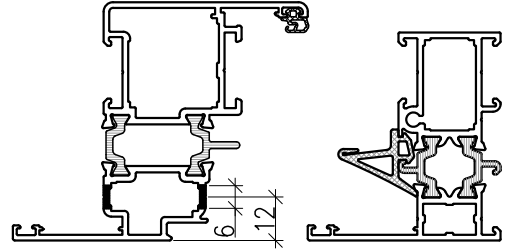
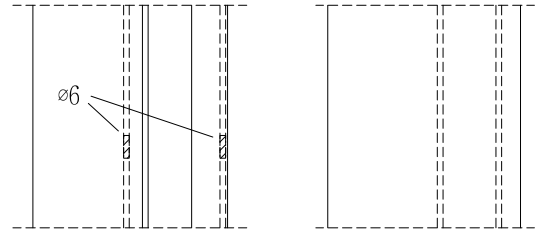
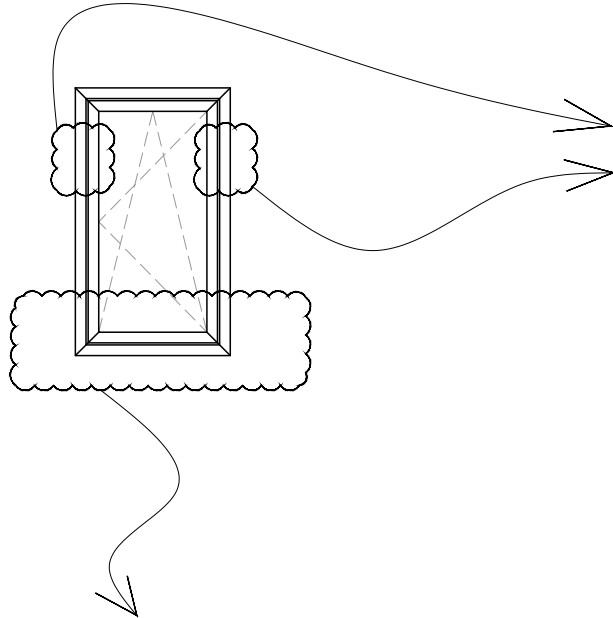
YALITIMLI PENCERE VE KAPI SİSTEMİ
INSULATED WINDOW AND DOOR SYSTEMS

KESİM-MONTAJ ÇİZİMLERİ
CUTTING-ASSEMBLY DRAWING



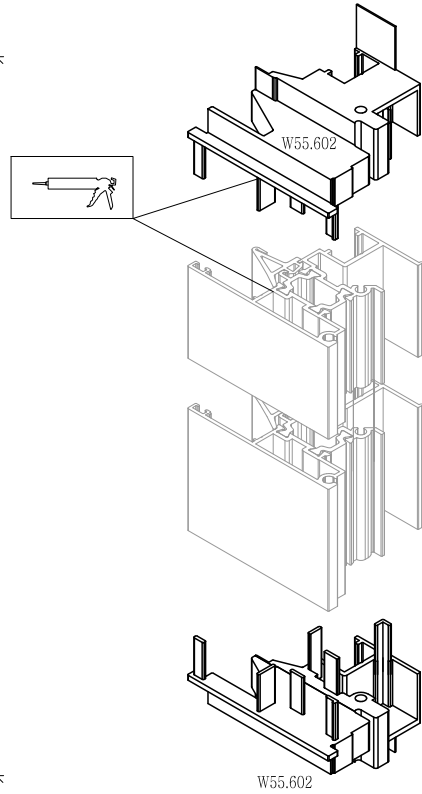
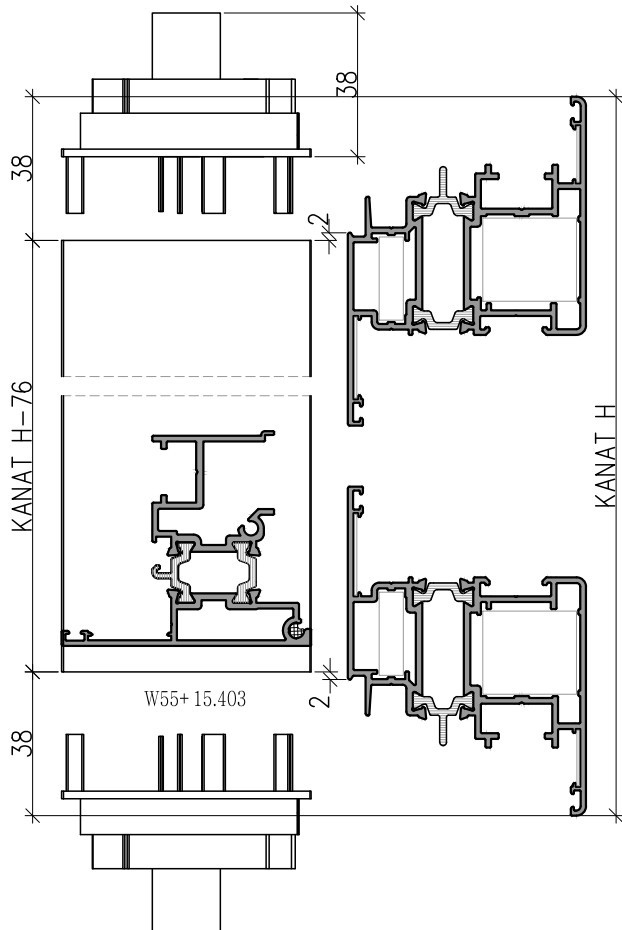
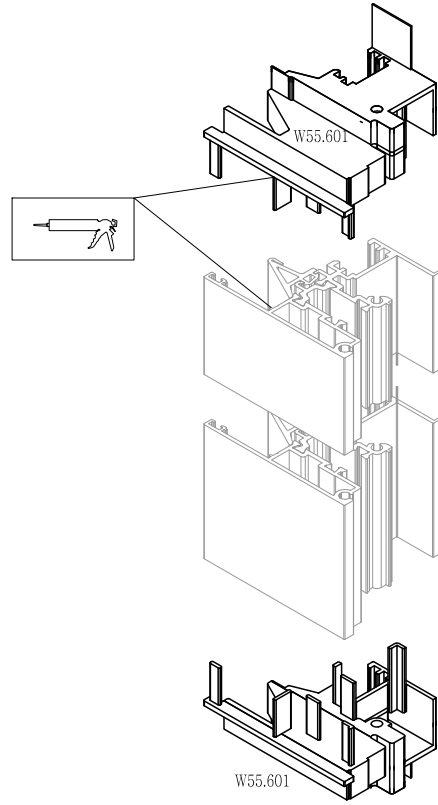
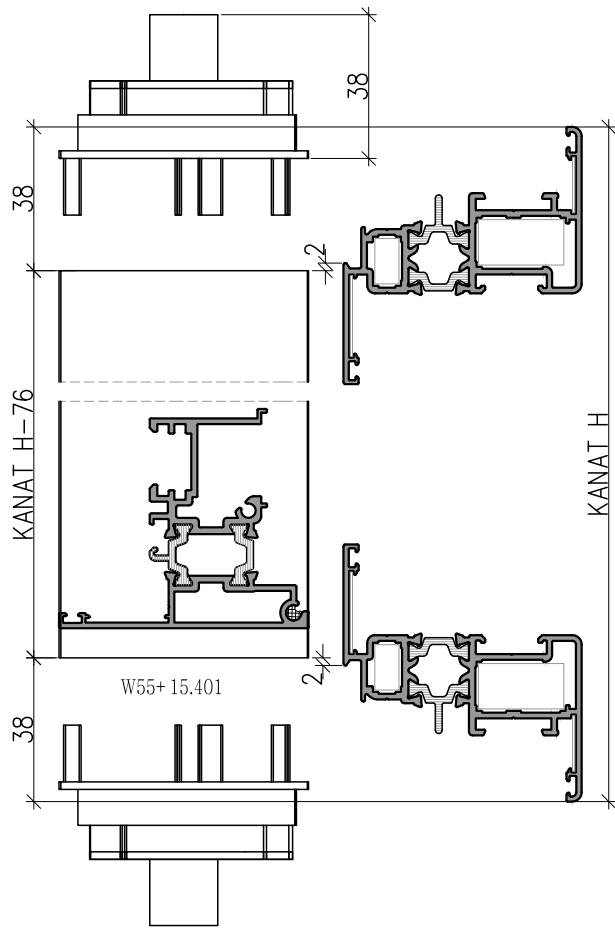
W 55+ YALITIMLI PENCERE VE KAPI SİSTEMİ INSULATED WINDOW AND DOOR SYSTEMS

KESİM-MONTAJ ÇİZİMLERİ
CUTTING-ASSEMBLY DRAWING



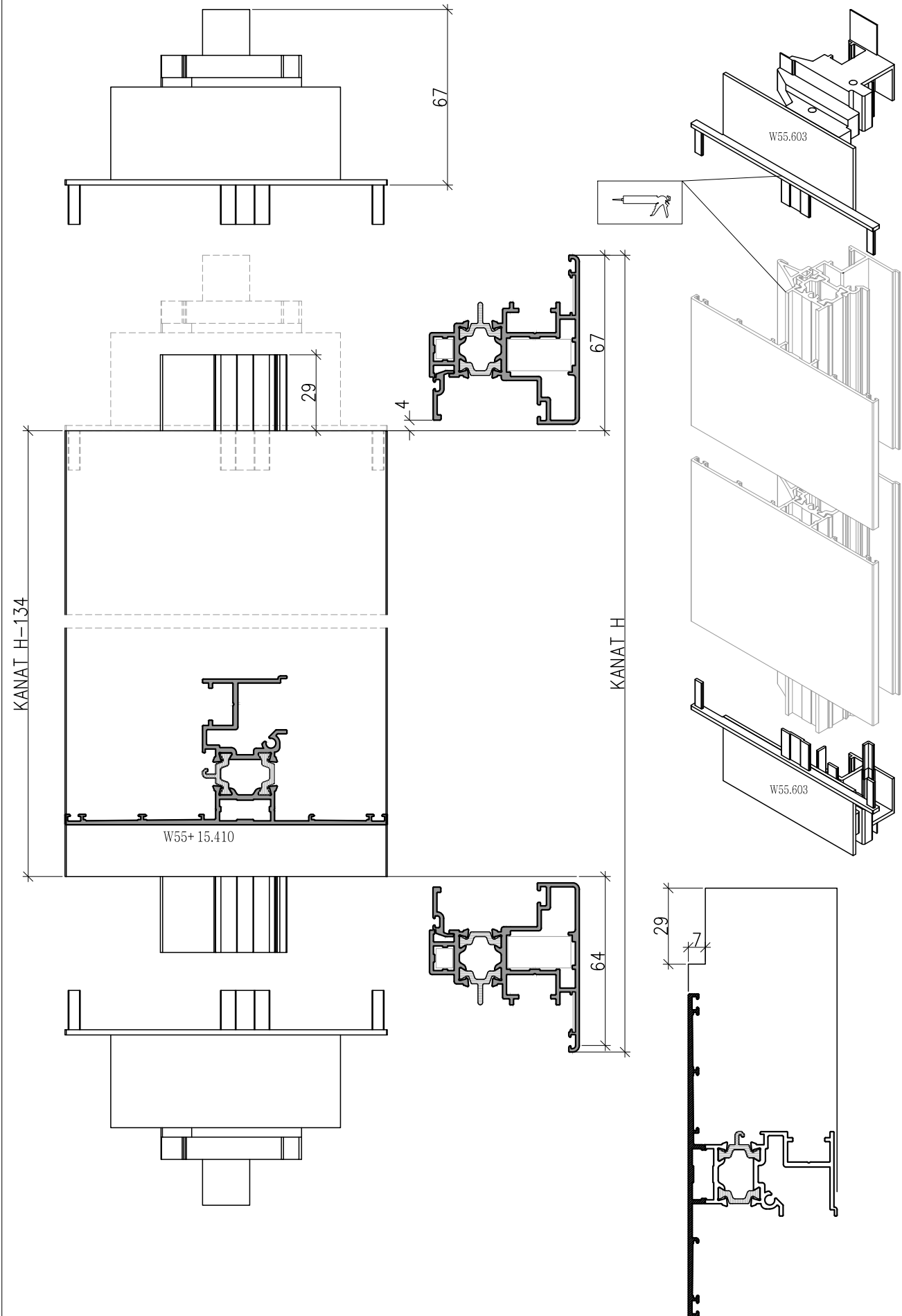
W 55+ YALITIMLI PENCERE VE KAPI SİSTEMİ INSULATED WINDOW AND DOOR SYSTEMS

KESİM-MONTAJ ÇİZİMLERİ
CUTTING-ASSEMBLY DRAWING



W 55+ YALITIMLI PENCERE VE KAPI SİSTEMİ INSULATED WINDOW AND DOOR SYSTEMS

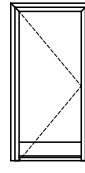
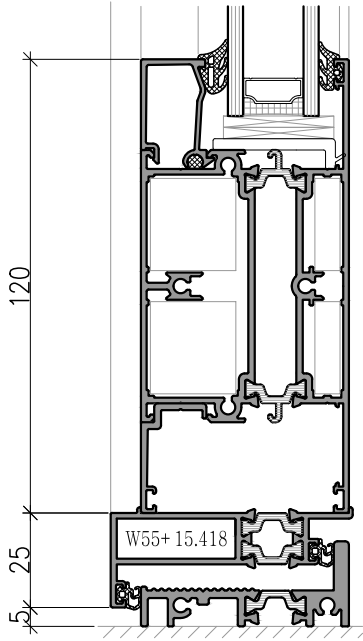
KESİM-MONTAJ ÇİZİMLERİ
CUTTING-ASSEMBLY DRAWING



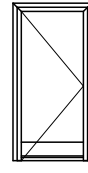
W 55+

YALITIMLI PENCERE VE KAPI SİSTEMİ
INSULATED WINDOW AND DOOR SYSTEMS

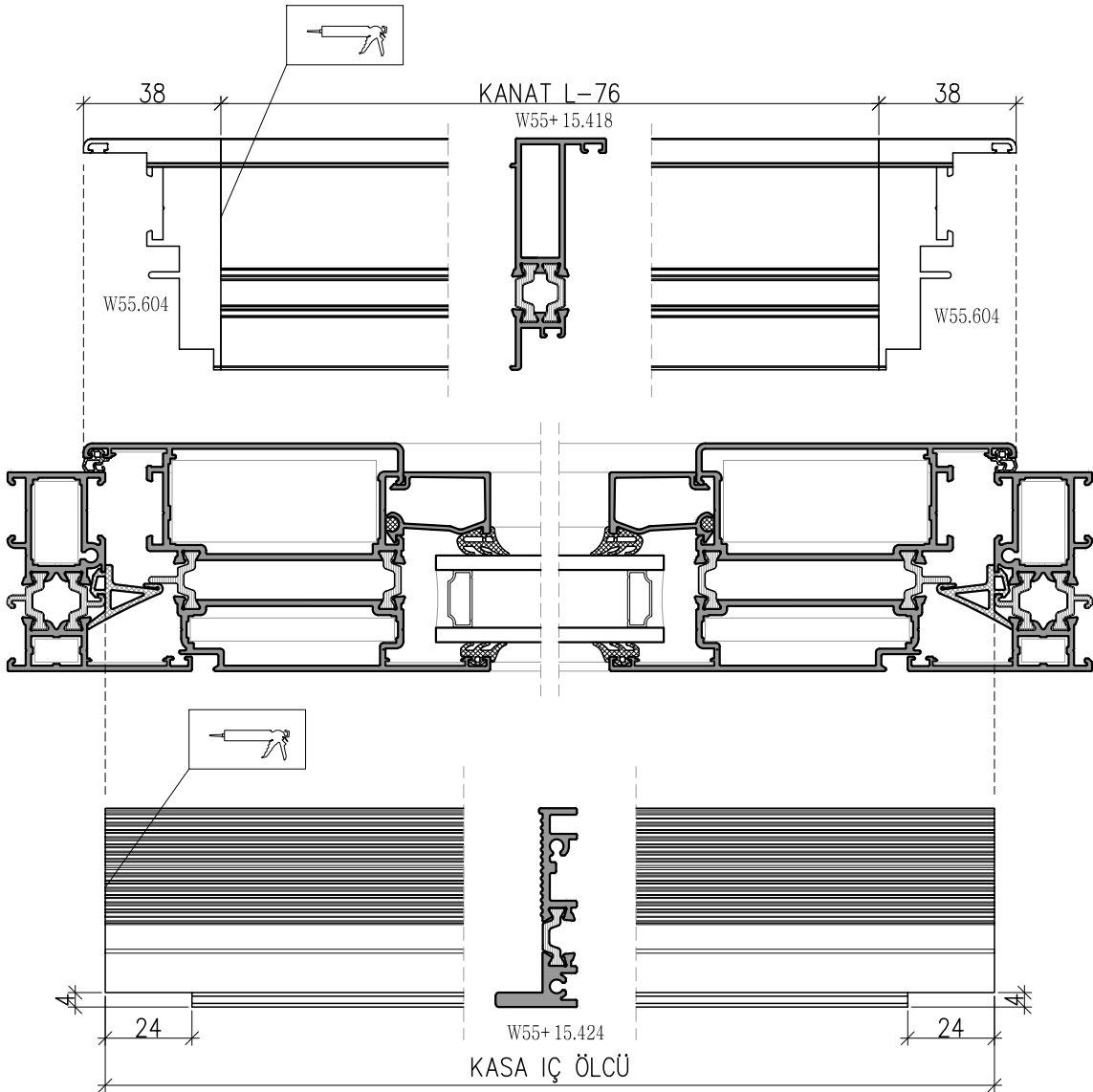
KESİM-MONTAJ ÇİZİMLERİ
CUTTING-ASSEMBLY DRAWING



içeride açılan kapı
inside opening door

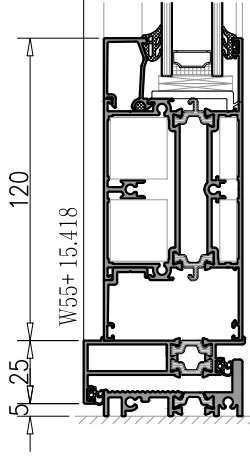


dışarı açılan pencere
outward opening window



W 55+ YALITIMLI PENCERE VE KAPI SİSTEMİ INSULATED WINDOW AND DOOR SYSTEMS

KESİM-MONTAJ ÇİZİMLERİ
CUTTING-ASSEMBLY DRAWING



içe açılan kapı
inside opening door

dışa açılan pencere
outward opening window

