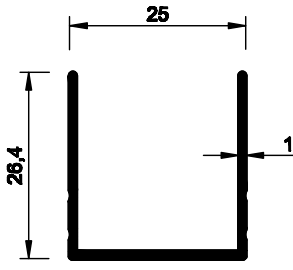
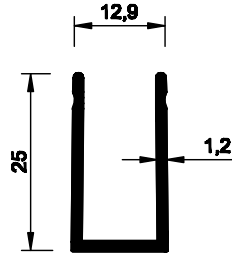


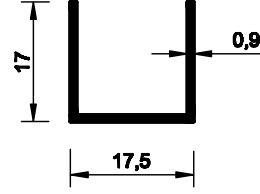
# U PROFILES



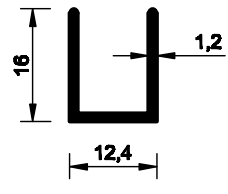
**2338**  
GENİŞ DUVAR DİKME  
0.205 kg/mt



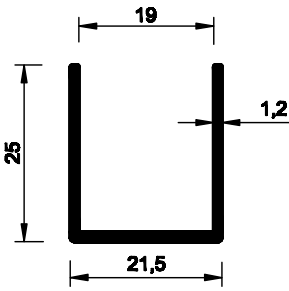
**2339**  
DAR DUVAR DİKME  
0.185 kg/mt



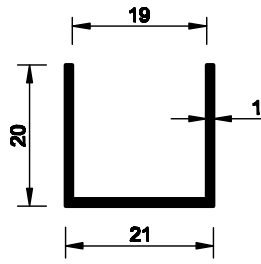
**2221**  
DAR "U" PROFİL  
0.120 kg/mt



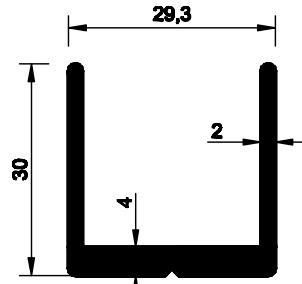
**2222**  
TAVAN "U" PROFİL  
0.135 kg/mt



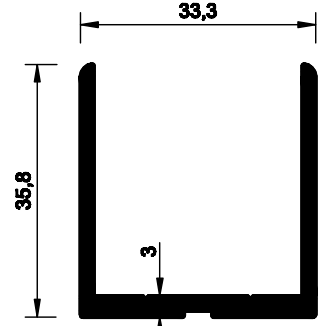
**2859**  
MOBİLYA "U" PROFİLİ  
0.160 kg/mt



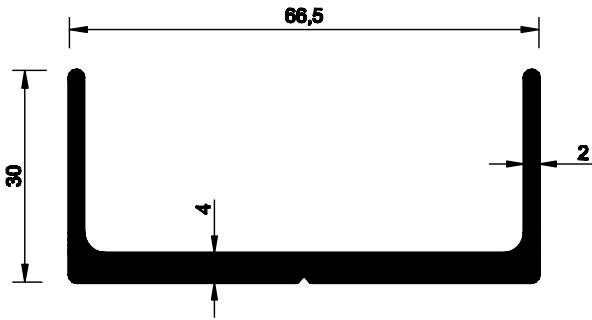
**4515**  
MOBİLYA "U" PROFİLİ  
0.235 kg/mt



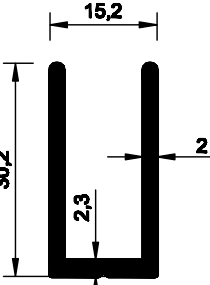
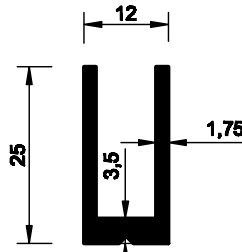
**2534**  
GENİŞ "U" BAĞLANTI  
0.595 kg/mt



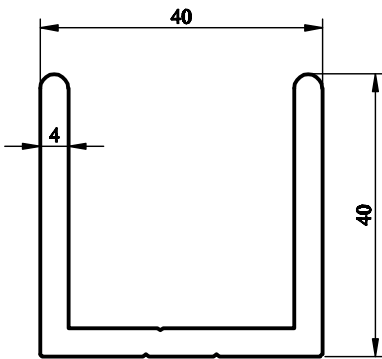
**2251**  
GENİŞ "U" BAĞLANTI  
0.595 kg/mt



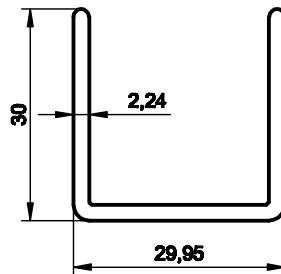
**2141**  
"U" BAĞLANTI  
0.315 kg/mt



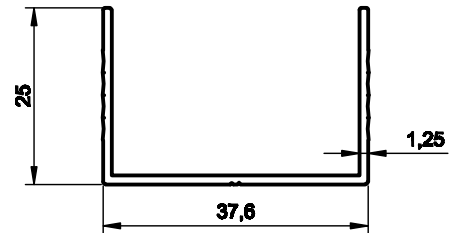
**2154**  
DAR "U" BAĞLANTI  
0.395 kg/mt



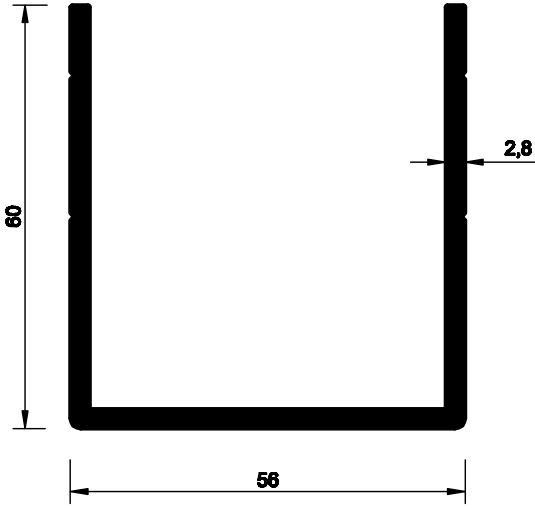
**4922**  
40 X 40 X 4 "U" PFR.  
ADM BACHES  
1.205 kg/mt  
GÖRÜNEN YÜZEY YOKTUR..



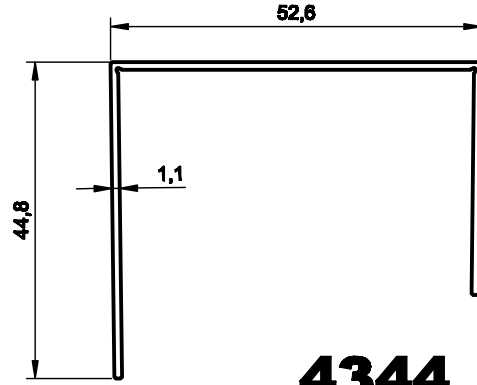
**4709**  
"U" PROFİL  
ADM BACHES  
0.515 kg/mt



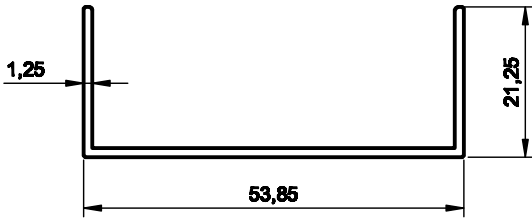
**4089**  
Ağırlık : 145 (gr/m)



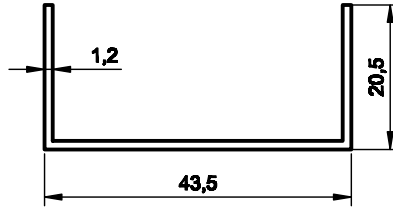
**3451**  
KOMPOZİT "U" PROFİL  
1.290 kg/mt



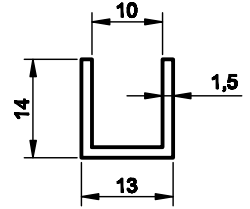
**4344**  
Ağırlık : 0.385 (gr/m)



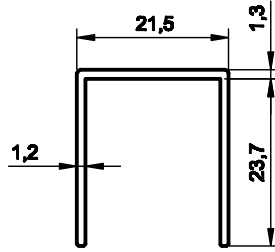
**4643**  
MOBİLYA PROF.  
GÜNEY ALÜ.  
0.320 kg/mt



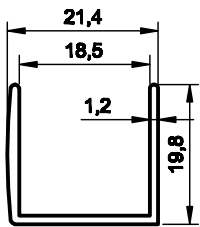
**2747**  
KENAR DIŞ-CAM  
ERK YAPI  
0.270 kg/mt



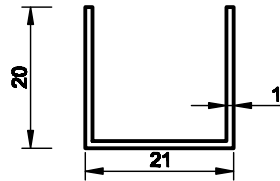
**2223**  
"U" PROFİL  
MAROBAG  
0.155 kg / mt



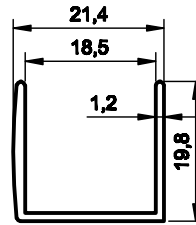
**4515**  
MOBİLYA "U" PRF.  
KURYAP  
0.235 kg/mt



**3415**  
0.205 kg/mt



**2859**  
0.160 kg/mt



**3415**  
MOBİLYA PRF.  
ÇAĞBERK  
0.205 kg/mt

